



**2-Person Hands-Free Floor Mount Stainless Steel Wash Station**

Model	Flow-Rate
54FSL	Standard 2.0 GPM
54FSL-0.5	Low-Flow 0.5 GPM

**Product Specifications**

Constructed from welded #16 gauge type 304 stainless steel. The front, bottom and back are formed from a single sheet with a rolled rim on front and sides. Exposed surfaces have a blended uniform satin finish. Specially designed foot valves provide easy access to working parts without disconnecting mount or plumbing.



Outside Dimensions	40" x 20" x 45" High
Inside Bowl Size	37" x 16-1/2" x 8" Deep
Back Splash Height	10"
Water Activation	Double Foot Pedal Valve
Flow Rate	2 GPM
Inlet Connections	1/2" Male NPT
Drain Opening	2"
Finish	Satin
Strainer	1-1/2" Dia. Duo Basket Strainer

**Includes**

- (1) Floor mount wash station
- (1) Leg assembly set
- (4) Washers and nuts for connection sink to leg assembly set
- (2) Double foot pedal valve (bottom mount) with 2 nuts
- (2) Swivel gooseneck spout with aerator
- (2) Connecting tube for valve to spout connection
- (4) Fittings, brass, 0.375" male compression and 0.375" male NPT
- (1) Strainer assembly with basket

**Product Compliance**

NSF/ANSI 2 Food Equipment  
NSF/ANSI 372 Low-Lead



Part: \_\_\_\_\_ Quantity: \_\_\_\_\_

Project: \_\_\_\_\_

Contact: \_\_\_\_\_

Date: \_\_\_\_\_

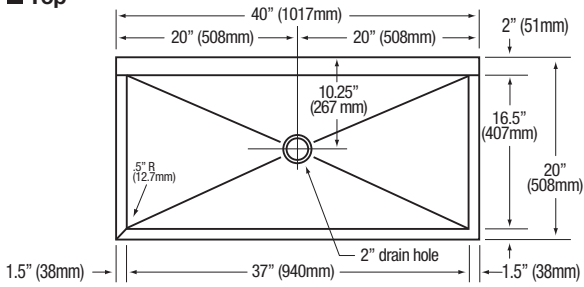
Approval: \_\_\_\_\_

Notes:

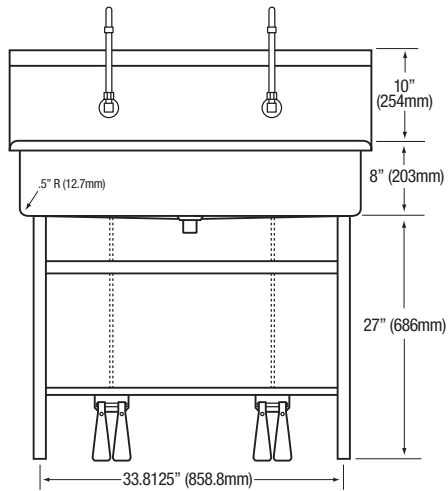


**2-Person Hands-Free Floor Mount Stainless Steel Wash Station**  
**Models 54FSL and 54FSL-0.5**

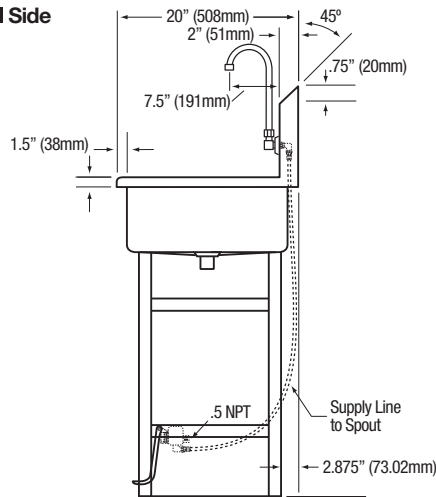
■ **Top**



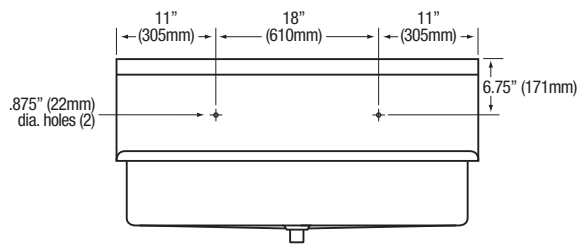
■ **Front**



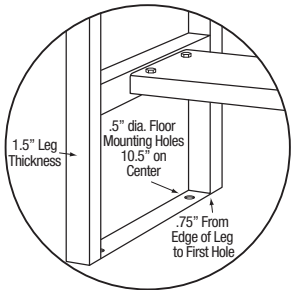
■ **Side**



■ **Hole Configurations**



■ **Floor Mounting Detail**



■ **Supply Line Detail**

