



**Hands-Free Stainless Steel Wall Mount Sink**

Model	Sensor Type	Flow-Rate
ES2-605L	AC Powered	Standard 2.0 GPM
ES2-605L-0.5	AC Powered	Low-Flow 0.5 GPM
ESB2-605L	Battery Powered	Standard 2.0 GPM
ESB2-605L-0.5	Battery Powered	Low-Flow 0.5 GPM



**Product Specifications**

Hands-Free operation is ideal for use in food service applications. Deep drawn from heavy duty 18-gauge type 304 stainless steel with large rounded corners. Exposed surfaces have an electropolished finish to enhance resistance to corrosion, reduce any bacterial growth and make for easier cleaning.

Outside Dimensions	16" x 15-1/2" x 13" High
Inside Bowl Size	14" x 11" x 5" Deep
Back Splash Height	8"
Water Activation	AC or Battery Powered Sensor Faucet
Flow Rate	2 GPM
Inlet Connections	3/8" Male Compression
Drain Opening	2"
Finish	Electropolished
Strainer	1-1/2" Dia. Duo Basket Strainer
Wall Mounting Bracket	1/4" Dia. Mounting Holes

**Includes**

- (1) Wall mount sink
- (1) AC or Battery powered sensor faucet assembly
- (1) Wall-mounting bracket
- (1) Mixing check valve
- (1) Strainer assembly with basket

**Product Compliance**

NSF/ANSI 2 Food Equipment  
 NSF/ANSI 372 Lead-Free Compliant  
 ASME A112.18.1



Part: \_\_\_\_\_ Quantity: \_\_\_\_\_

Project: \_\_\_\_\_

Contact: \_\_\_\_\_

Date: \_\_\_\_\_

Approval: \_\_\_\_\_

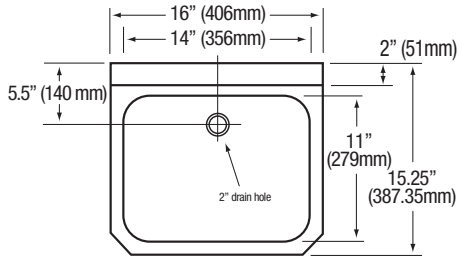
Notes:



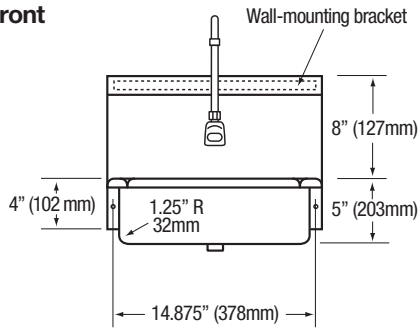
**Hands-Free Stainless Steel Wall Mount Sink**

**Models ES2-605L, ES2-605L-0.5, ESB2-605L and ESB2-605L-0.5**

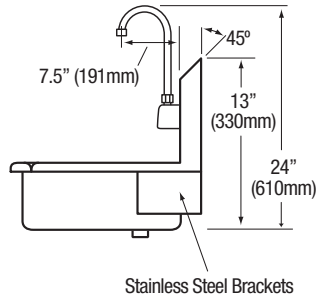
■ **Top**



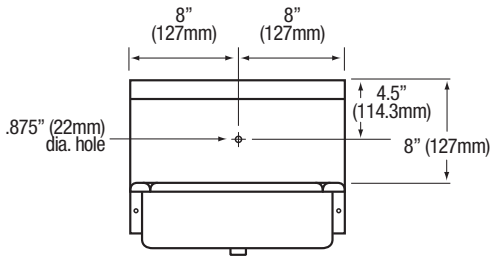
■ **Front**



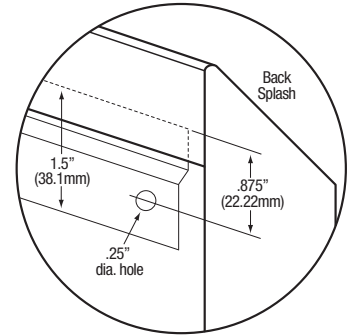
■ **Side**



■ **Hole Configuration**



■ **Wall Mounting Detail**



# SANI-LAV Sensor Faucets

Wall Mounted AC and Battery Powered  
Meets ANSI/ASME A112.18.1 M-1989



## Operation

1. A continuous, invisible beam is emitted from the sensor.
2. The faucet is activated by placing hands under the spout within the effective range of the beam. Water starts to flow immediately for as long as the user's hands remain in the sensor range.
3. When hands are removed, the water flow stops. The sensor will automatically reset and be ready for the next user.
4. In the battery powered version, a flashing red light will indicate a low battery condition.

## Specifications

### Faucet Construction

Solid brass, chrome plated

### Control Circuit

Solid state, AC or battery, switchable  
Preset at 20 seconds and adjustable to 10, 30, or 60 seconds

- Auto. Time-out
- Line Purge (request only)
- Scrub Mode Delay (request only)
- Sensor Range
- Shut-off Delay

2 minute run every 12 hours or 24 hours  
60, 120, 180 seconds  
Preset and adjustable  
Presets and adjustable from 1-8 seconds

### Control Cable

Armored, vandal resistant

### Solenoid Valve

6V DC, normally closed

- Wattage: 0.4W (idle), 5W (in use)
- Operating Pressure: 5 psi to 125 psi

### Flow Control

2.0 or 0.5 GPM, Laminar Flow Control

## AC Mode

### Power Adapter

- Standard Plug-in
- (UL/CSA)
- Power Cable
- Optional Multi-Unit Adapter
- (UL/CSA)

Input AC 120V 60 Hz or 220V  
Output DC 12V, 0.8A/Class 2  
Armored, vandal resistant  
Serves up to 8 faucets  
Input AC 120V, Output DC 12V, 3A

## Battery Mode

### Battery Powered Models

(4) AA Alkaline Batteries

### Battery Service Life

400,000 on/off cycles, up to 4 years

## Package Includes

- (1) Faucet with electronic sensor
- (1) Control box w/6V DC solenoid
- (1) 12V DC plug-in power adaptor (H-6700C, -DC, -LR and -LRDC only)
- (1) In-line filter with clean-out trap
- (1) 18" Flex, S.S. supply tube, 3/8"(1) 6" Gooseneck Spout
- (1) Mounting hardware
- (1) 2.0 GPM Flow Control(4) AA Alkaline batteries (HB-6700C, -DC, -LR, -LRDC only)
- (1) Battery holder (HB-6700C, -DC, -LR, -LRDC only)

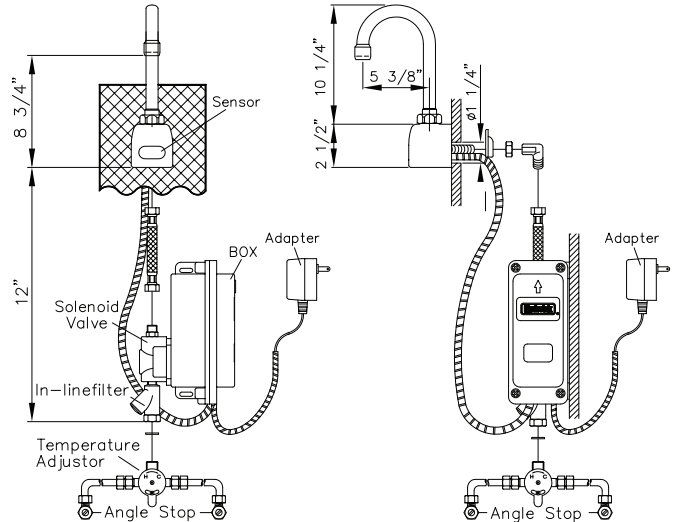
## Dimensions

- Base Width (Outside Measurement) 2-1/4"
- Base Depth 2-1/2"
- Faucet Height (Aerator to Base) 8-3/4"
- Faucet Height Overall 12-3/4"
- Depth (Center of Aerator to Center of Faucet Base) 5-3/8"
- Mounting Bolt Length 1-7/16"
- Mounting Bolt Pattern Single-hole mount

## Optional Variations and Accessories

- 0.35, 0.5, 1.5, 2.2 GPM Laminar Flow
- HC-010 Multi-Unit Voltage Adapter (AC Powered Only) - 8 units
- HC-0104 Multi-Unit Voltage Adapter (AC Powered Only) - 4 units
- HC-001 Mixing/Check Valve (Mechanical)
- HBL-04-LR Thermostatic Mixing Valve with Checks (Low Lead)
- 8" deep Gooseneck and 6" or 8" Swing Swing SpoutModel

Model	Sensor Type	Flow-Rate
ES2RL	AC Powered	Standard 2.0 GPM
ES2RL-0.5	AC Powered	Low-Flow 0.5 GPM



Model	Sensor Type	Flow-Rate
ESB2RL	Battery Powered	Standard 2.0 GPM
ESB2RL-0.5	Battery Powered	Low-Flow 0.5 GPM

