

**Hands-Free Wall Mount Stainless Steel Sink**

Model	Flow-Rate
605L	Standard 2.0 GPM
605L-0.5	Low-Flow 0.5 GPM

**Product Specifications**

Hands-Free operation is ideal for use in food service applications. Deep drawn from heavy duty 18-gauge type 304 stainless steel with large rounded corners. Exposed surfaces have an electropolished finish to enhance resistance to corrosion, reduce any bacterial growth and make for easier cleaning. Specially designed knee valve provides easy access to working parts without disconnecting mount or plumbing.

Outside Dimensions	16" x 15-1/2" x 13" High
Inside Bowl Size	14" x 11" x 5" Deep
Back Splash height	8"
Water Activation	Single Knee Pedal Valve
Flow Rate	2 GPM
Inlet Connections	3/8" Male Compression
Drain Opening	2"
Finish	Electropolished
Strainer	1-1/2" dia. slip-joint connection
Wall Mounting Bracket	1/4" dia. mounting holes

**Includes**

- 1) Wall mount sink
- (1) Single knee pedal valve with 2 nuts
- (1) Swivel gooseneck spout with aerator
- (1) Connecting tube for valve to spout connection
- (2) Fittings, brass, 0.375" male compression and 0.375" male NPT
- (1) Mixing check valve
- (1) Wall-mounting bracket
- (1) Strainer assembly with basket

**Product Compliance**

NSF/ANSI 2 Food Equipment  
NSF/ANSI 372 Low-Lead



Part: \_\_\_\_\_ Quantity: \_\_\_\_\_

Project: \_\_\_\_\_

Contact: \_\_\_\_\_

Date: \_\_\_\_\_

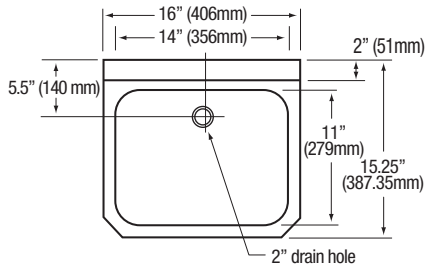
Approval: \_\_\_\_\_

Notes:

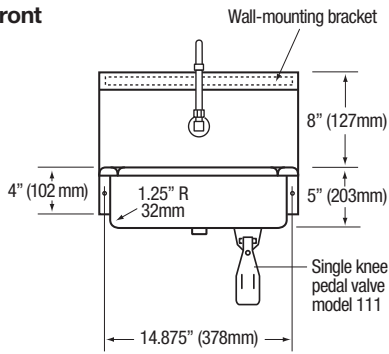


**Hands-Free Wall Mount Stainless Steel Sink  
Models 605L and 605L-0.5**

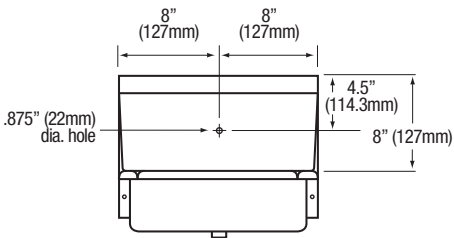
■ **Top**



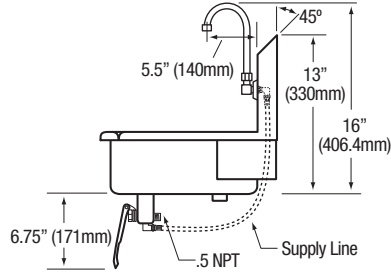
■ **Front**



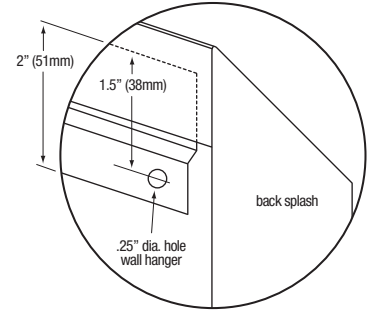
■ **Hole Configuration**



■ **Side**



■ **Wall Mounting Detail**



■ **Supply Line Detail**

