

8

7

6

5

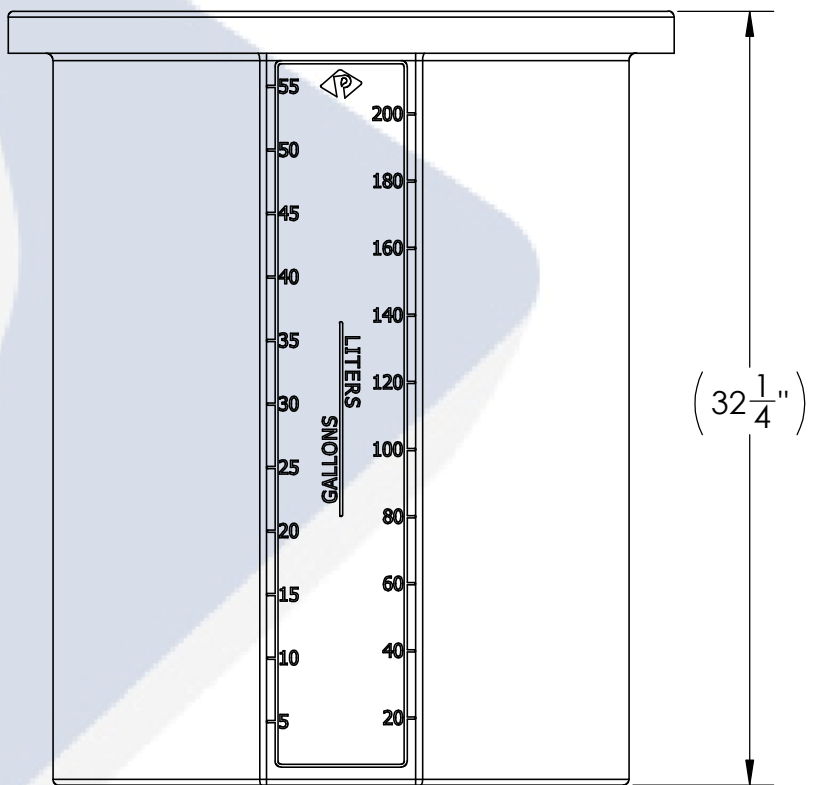
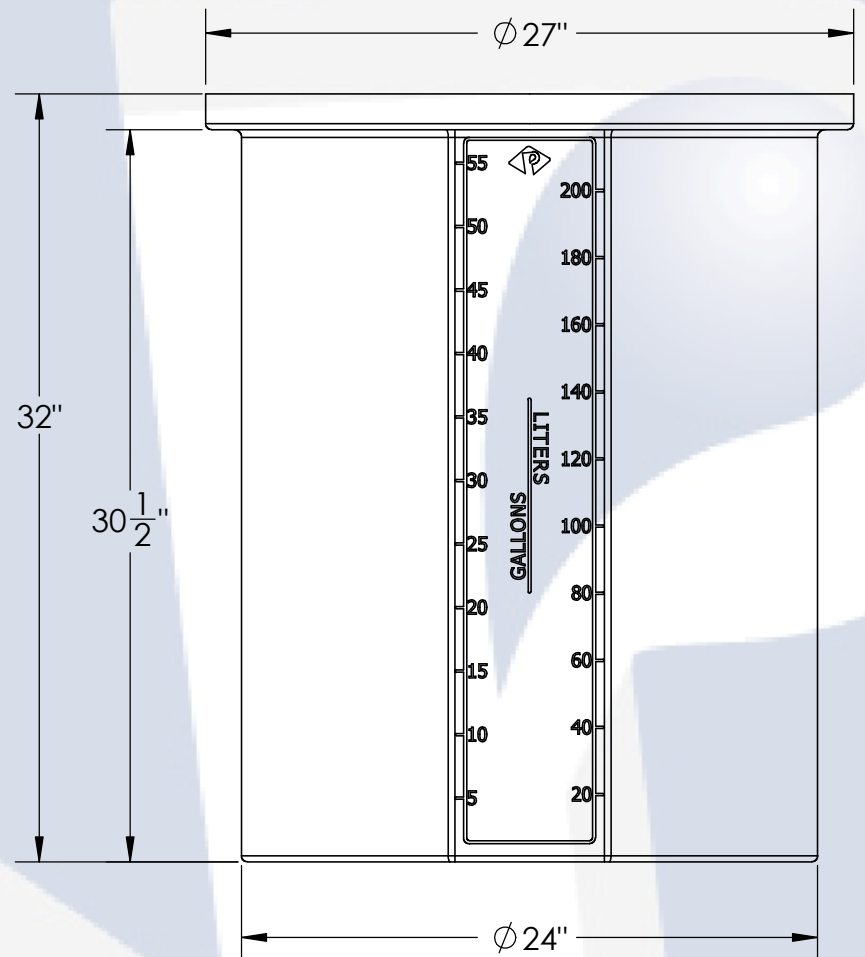
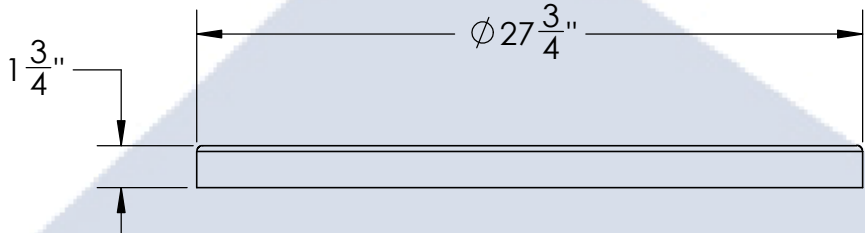
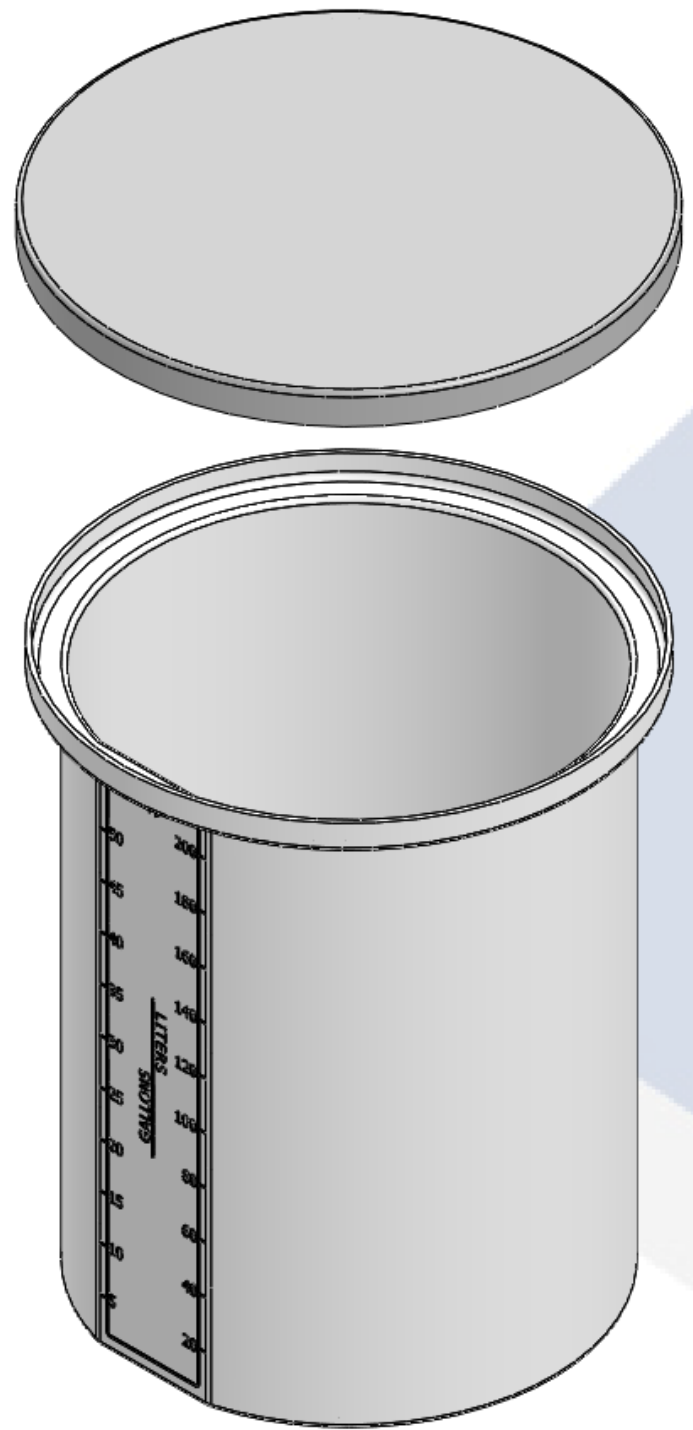
4

3

2

1

55 GALLON OPEN TOP	PART NUMBER	
	BLUE	NATURAL
STANDARD (1.5 SPG)	01-29366	01-28964



D

D

C

C

B

B

A

A

- NOTES:**
- CAPACITY: 55 GAL. NOMINAL
 - APPROXIMATE WEIGHT: 24 LBS
 - TANK MATERIAL: HDLPE W/ UV INHIBITOR
 - SERVICE PRESSURE: ATMOSPHERIC

PROPRIETARY AND CONFIDENTIAL
 THE INFORMATION CONTAINED IN THIS DRAWING IS THE SOLE PROPERTY OF PEABODY ENGINEERING. ANY REPRODUCTION IN PART OR AS A WHOLE WITHOUT THE WRITTEN PERMISSION OF PEABODY ENGINEERING IS PROHIBITED.

UNLESS OTHERWISE SPECIFIED: DIMENSIONS ARE IN INCHES TOLERANCES: ±1/4" ANGULAR: ±.5° ONE PLACE DECIMAL: ±.25 TWO PLACE DECIMAL: ±.125 THREE PLACE DECIMAL: ±.063	DRAWN	NAME	DATE	
	CHECKED	MSM	11/25/13	
	ENG APPR.			
	MFG APPR.			
TANK MATERIAL: HDPE	Q.A.			PROJECT: 55 GALLON OPEN TOP TANK ASSEMBLY
INNER TANK S/N:	ALTERNATIVE VERSIONS			CUSTOMER: PEABODY STANDARD
OUTER TANK S/N:	MATERIALS: XLPE, PPL, PVDF COLORS: NATURAL, BLUE OR BLACK AVAILABLE WITH FRP WRAP			SITE/LOCATION: -
CUSTOMER PO#	CALL FOR PART NUMBERS			DRAWING#: SEE TABLE
DO NOT SCALE DRAWING	SIZE	DESC.	REV.	
	B	PEABODY 55 GALLON OPEN TOP	C	
	SCALE: 1:8			SHEET 1 OF 1

8

7

6

5

4

3

2

1