



# HEAVY-DUTY ADAPTABLE CART

Reduces the need for time-consuming user modifications, with a variety of integrated features that make the job easier.

## Features and Benefits:

- Adjustable handle locks into four positions to accommodate users of all heights
- Slots around the rim accommodate small hand tools
- Snap-in hooks keep tools within reach
- Flip-up shelf for additional work space
- V-notch prevents pipe from rolling while cutting
- Locking casters stabilize cart

## Sizes Available:

- Small, Medium

## Colors Available:

- Black, Gray

## Material Composition:

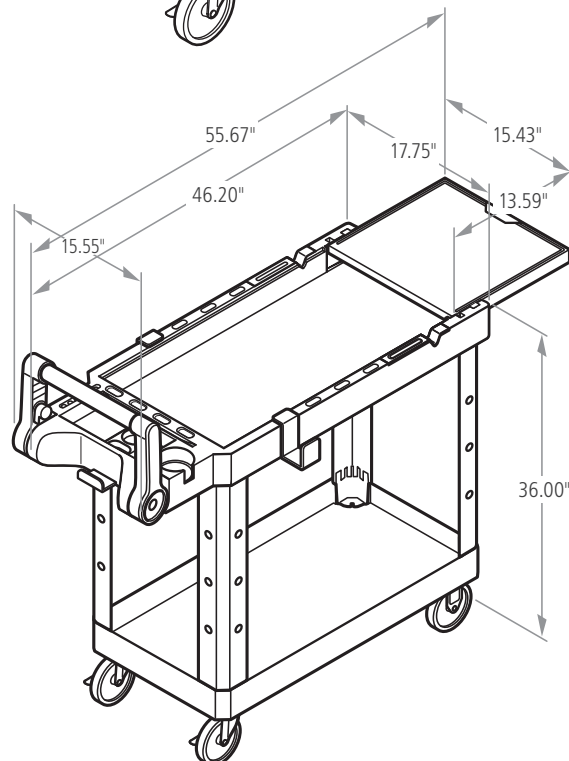
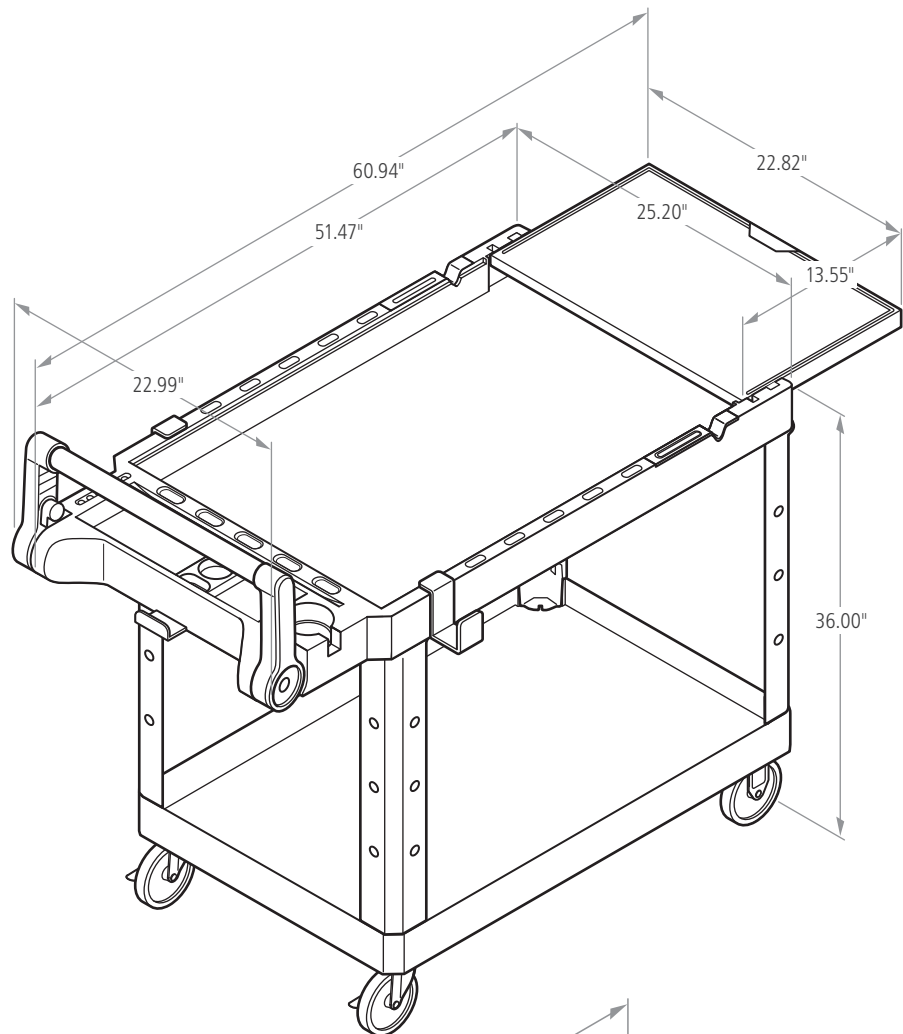
- Structural foam HDPE

## Weight Capacity:

- 500 lbs

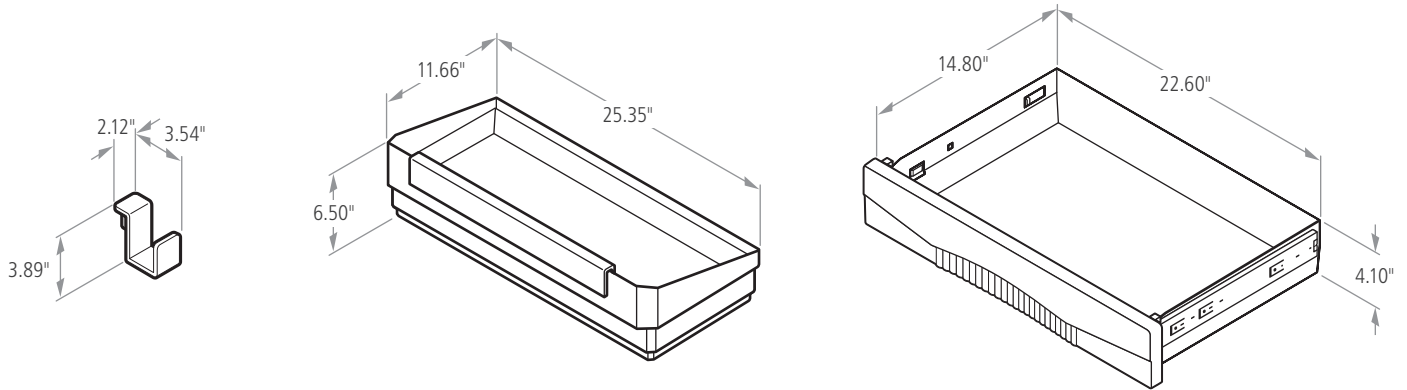
## Accessories:

- Extended base
- 4-pack of hooks
- Extension drawer
- 8" pneumatic caster set



# HEAVY-DUTY ADAPTABLE CART

SKU #	DESCRIPTION	COLOR	WEIGHT	LENGTH	WIDTH	HEIGHT
			LB	IN	IN	IN
1997206	SMALL HEAVY-DUTY ADAPTABLE CART	BLACK	32.80	46.20"	17.75"	36.00"
1997207	SMALL HEAVY-DUTY ADAPTABLE CART	GRAY	32.80	46.20"	17.75"	36.00"
1997208	MEDIUM HEAVY-DUTY ADAPTABLE CART	BLACK	44.20	51.47"	25.20"	36.00"
1997209	MEDIUM HEAVY-DUTY ADAPTABLE CART	GRAY	44.20	51.47"	25.20"	36.00"



# HEAVY-DUTY ADAPTABLE CART ACCESSORIES

SKU #	DESCRIPTION	COLOR	WEIGHT	LENGTH	WIDTH	HEIGHT	PACK SIZE
			LB	IN	IN	IN	
1997227	ACCESSORY HOOKS	RED		2.12"	3.54"	3.89"	4
1997230	EXTENDED BASE – MEDIUM CART ONLY	BLACK		25.35"	11.66"	6.50"	
FG459300	EXTENSION DRAWER	RED		22.60"	14.80"	4.10"	
1997371	5" REPLACEMENT CASTER SET (W/ LOCKING)						
1997372	8" PNEUMATIC CASTER SET						

