

# Thunderbolt® 160 and 210

Stick Welding Power Source 

## Quick Specs

### Light Industrial Applications

Garage/job shops  
Farm/ranch  
Maintenance repair  
Light production-line work  
Shipyards install/repair

**Process\*** DC stick (SMAW)

**Input Power** 1-phase power

**Max. Open-Circuit Voltage**

**160:** 91 V

**210:** 85 V

### Amperage Range

**160:** 20–80 A (120 V)  
20–160 A (240 V)

**210:** 25–210 A (240 V)

### Maximum Mild Steel Thickness

**160:** 1/8 in. (120 V)

3/8 in. (240 V)

**210:** 1/2 in. (240 V)

**Best-of-class dependable, portable, powerful stick welder.**

**Nearly 100 pounds lighter** so you can work smarter not harder by bringing the welder to the work. It's portable so it's easier to carry and store.

**More powerful** — up to 85 more amps — compared to leading competitive machine means you can weld thicker materials.

**Hot Start™** technology provides easy, quick and reliable arc starts.

**Precise, accurate, infinite amperage control and heat output.**


Thunderbolt 160 model features dual voltage with **multi-voltage plug (MVP™)**. Allows for connection to 120- or 240-volt receptacles without tools. Choose the plug that fits the receptacle and connect it to the power cord.

### Comes with:

- 10 ft. (3 m) No. 4 electrode cable with heavy-duty electrode holder
- 10 ft. (3 m) work cable with clamp
- 6.5 ft. (2 m) power cord with MVP™ plugs for 120 V and 240 V (160 model) **OR** 240 V plug (210 model)
- Cable pouch



Thunderbolt 160 shown.

 **120 or 240 V**  
**INPUT POWER**

Thunderbolt 160 only

 **NEARLY 100 lb. LIGHTER**  
**AND MORE POWER**

Compared to leading competitive machine

## Specifications (Subject to change without notice.)



Model	Input Power	Welding Amperage Range	Rated Output	Amps Input at Rated Output	Max. Open-Circuit Voltage	Dimensions	Net Weight
Thunderbolt 160	120 V, 50/60 Hz	20–80 A	65 A at 20% duty cycle	20.7	91 V	H: 10.5 in. (267 mm) W: 7.125 in. (181 mm) D: 13.375 in. (340 mm)	15 lb. (6.8 kg)
	240 V, 50/60 Hz	20–160 A	160 A at 30% duty cycle	27.8			
Thunderbolt 210	240 V, 50/60 Hz	25–210 A	210 A at 20% duty cycle	43.4	85 V		15.5 lb. (7.0 kg)



Conforms to ANSI/IEC Std. 60974-1.  
Conforms to CSA Std. E60974-1.



Power source is warranted for three years, parts and labor.  
Original main power rectifiers are warranted for five years.



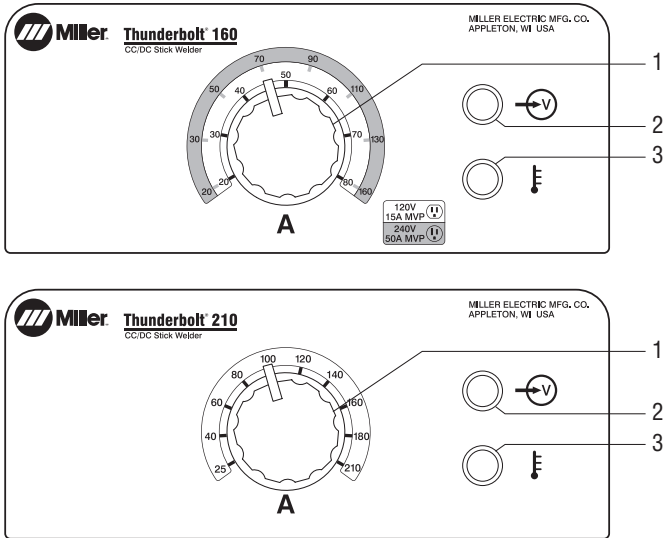
**Miller Electric Mfg. Co.**  
An ITW Welding Company  
1635 West Spencer Street  
P.O. Box 1079  
Appleton, WI 54912-1079 USA

**Equipment Sales US and Canada**  
Phone: 866-931-9730  
FAX: 800-637-2315  
International Phone: 920-735-4554  
International FAX: 920-735-4125

**MillerWelds.com**  




## Control Panel



1. Amperage Adjustment Control
2. Power Indicator Light
3. Overtemperature Light

## Electrode Charts

### Electrode Polarity Chart

Electrode	DC*	AC	Position	Penetration	Usage
6010	EP	—	All	Deep	Min. prep, rough, high spatter
6011	EP	✓	All	Deep	
6013	EP, EN	✓	All	Low	General
7014	EP, EN	✓	All	Med.	Smooth, easy, fast
7018	EP	✓	All	Low	Low hydrogen, strong
7024	EP, EN	✓	Flat horiz. fillet	Low	Smooth, easy, faster
Ni-Ci	EP	✓	All	Low	Cast iron
308L	EP	✓	All	Low	Stainless

\* EP = Electrode positive (reverse polarity)  
EN = Electrode negative (straight polarity)

### Electrode/Amperage Chart

Electrode	Diameter		Amperage Range			
	in.	mm	Min. 50 A	100 A	150 A	200 A Max.
6010 and 6011	3/32	2.4				
	1/8	3.2				
	5/32	4.0				
6013	3/16	4.8				
	1/16	1.6				
	5/64	2.0				
	3/32	2.4				
	1/8	3.2				
7014	5/32	4.0				
	3/16	4.8				
	3/32	2.4				
7018	1/8	3.2				
	5/32	4.0				
	3/32	2.4				
7024	1/8	3.2				
	5/32	4.0				
	3/32	2.4				
Ni-Ci	1/8	3.2				
	5/32	4.0				
	3/16	4.8				
308L	3/32	2.4				
	1/8	3.2				
	5/32	4.0				

**Ideal performance for most 6010, 6011, 6013 and 7018 rods.**

*Note: 6010 not recommended for open root welding.*

### Thunderbolt 160

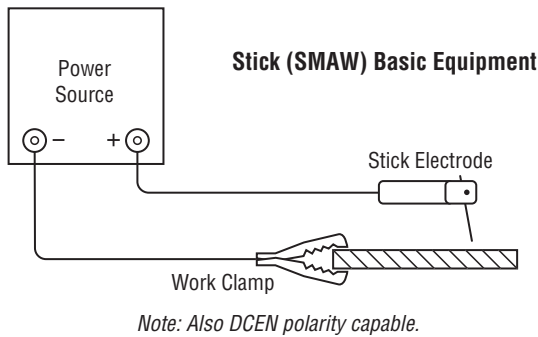
**120 V:** 1/16–1/8 in. (some limitations with 3/32-inch rods and very limited with 1/8-inch rods based on rod/amperage)

**240 V:** 1/16–5/32 in. (some limitations with 5/32-inch rods based on amperage)

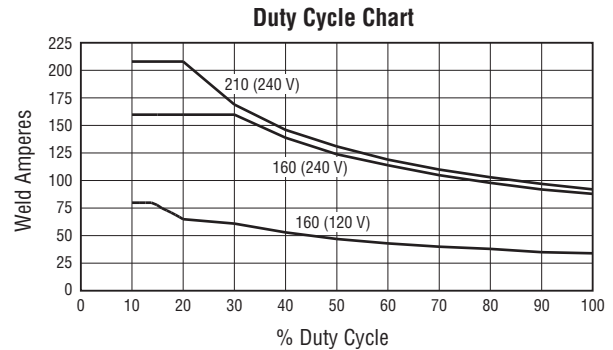
### Thunderbolt 210

1/16–3/16 in. (some limitations with 3/16-inch rods based on amperage)

## Typical Installation (DCEP)



## Performance Data



## Ordering Information

Power Source	Stock No.	Description	Qty.	Price
Thunderbolt® 160	907721	Single-phase, 120 and 240 V		
Thunderbolt® 210	907722	Single-phase, 240 V		
<b>Accessories</b>				
Stick Electrodes		See charts above		
Helmet/Gloves/Scratch Brush				
Chipping Slag Hammer				
Wall Receptacle				

Date: \_\_\_\_\_ Total Quoted Price: \_\_\_\_\_

Distributed by: \_\_\_\_\_

