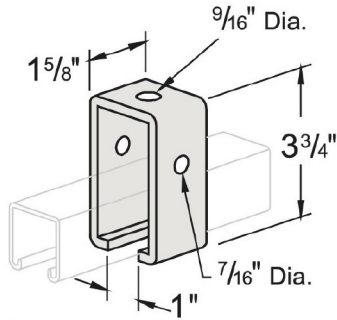


TROLLEYS AND ACCESSORIES

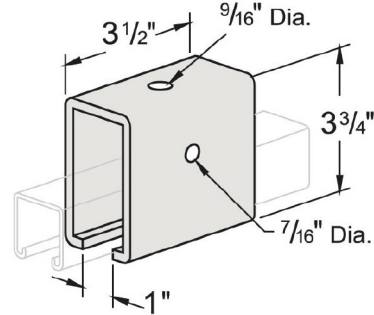
INTERMEDIATE SUPPORT FOR 1-5/8" TROLLEY TRACK



V4872

20/CTN
110 LBS/100

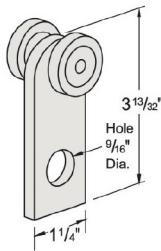
SPLICE SUPPORT FOR 1-5/8" TROLLEY TRACK



V4873

10/CTN
220 LBS/100

1 HOLE 2 WHEEL TROLLEY



V399

20/CTN
60 LBS/100

TROLLEY LOAD CHART

V399

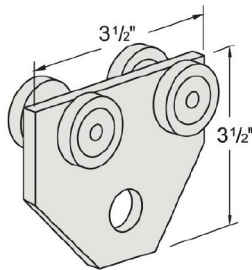
DESIGN LOAD IN 12 Ga. 1-5/8" CHANNEL (LBS.)	@RPM
150	600
225	300
437	100

V389 & V400

DESIGN LOAD IN 12 Ga. 1-5/8" CHANNEL (LBS.)	@RPM
300	600
450	300
600	100

DESIGN LOAD BASED ON SAFETY FACTOR OF 2.5

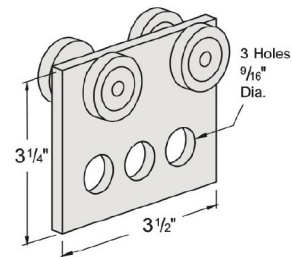
1 HOLE 4 WHEEL TROLLEY



V389

10/CTN
112 LBS/100

3 HOLE 4 WHEEL TROLLEY



V400

BULK
125 LBS/100

STANDARD FINISH - EG



St. Charles, Missouri