

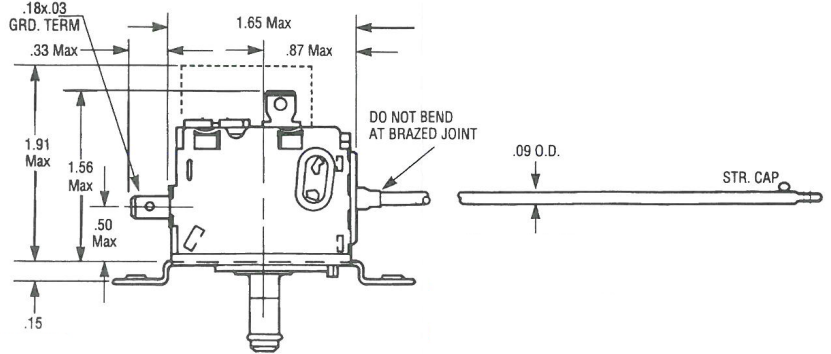


INSTALLATION DATA

K3001 DIRECT REPLACEMENT WATER COOLER CONTROL

IMPORTANT

1. The schematic drawings and other information included in these installation instructions are for the purpose of illustration and general reference only.
2. These instructions do not expand, reduce, modify or alter the Ranco Terms in any way; and no warranty or remedy in favor of the customer or any other person arises out of these instructions.
3. With very few exceptions Ranco controls have been approved by the Underwriters' Laboratories as UL listed and/or UL recognized (component); however, approval does not extend to their use for any other purpose. Ranco assumes no responsibility for any unconventional application of its control unless such application has been approved in writing by Ranco.
4. This is the responsibility of the customer to assure that the application and use of all Ranco products are in compliance with all federal, state and local requirements, including, without limitation, all requirements imposed under the National Electric Code and any applicable building codes.



Make sure that the tube does not touch an electric terminal or any surface of the unit that is cooler than the tubing. If this control can not be installed in compliance with these instructions, a different control should be used.

Specifications

Application	Part Number	Normal Off	Normal On	Warm On	Cold Off	Capillary length
Narrow Differential	K3001	46°F	53°F	61°F	37°F	48"

Installation Instructions



CAUTION

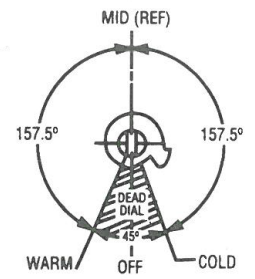
TO PREVENT POSSIBLE ELECTRICAL SHOCK OR EQUIPMENT DAMAGE, DISCONNECT ELECTRICAL POWER TO THE UNIT BEFORE AND DURING INSTALLATION. DO NOT RESTORE ELECTRICAL POWER TO UNIT UNTIL THE CONTROL IS PROPERLY INSTALLED AND GROUNDED. DO NOT LOCATE THE CONTROL IN AN EXPLOSIVE ATMOSPHERE AS A SAFETY HAZARD CAN RESULT DUE TO POSSIBLE SPARK GENERATION IN THE CONTROL. CONTROLS ARE NOT TO BE LOCATED IN AREAS OF SIGNIFICANT MOISTURE, DIRT OR DUST, OR IN A CORROSIVE EXPLOSIVE ATMOSPHERE. USE OF CONTROLS IN SUCH ENVIRONMENTS MAY RESULT IN INJURY OR DAMAGE TO THE PERSONS OR PROPERTY (OR BOTH) AND ARE LIKELY TO SHORTEN CONTROL LIFE; RANCO ASSUMES NO RESPONSIBILITY FOR ANY SUCH USE.

1. Disconnect electrical power.
2. Locate and remove inoperative control. Be sure to save any fittings or parts which may apply to the K3000 Series Replacement Control.
3. Mount the capillary tube in the same position as the tube was mounted in the original control. **Do not kink, cut or break the capillary tube. If you do, it is probable that the control will not operate. Coil any excess capillary tubing.**

4. Connect electrical wire leads the same as they were originally wired. Make sure the control ground wire is attached and grounded when applicable. Electrical leads should be properly dressed, provided with slack to the electrical terminals and have a drip loop if water can follow them.

Note: If the capillary routing allows moisture to run onto the control, a drip loop should be formed in the capillary.

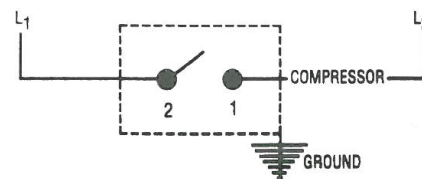
5. Mount replacement control in same location as original and attach Dial Knob.
6. Turn Dial to NORMAL or MID-SCALE position.
7. Turn on electrical power and check control operation. Allow sufficient time for the unit to reach normal operating temperature.



DIAL LAYOUT
Control shown in COLD position.
Rotation clockwise WARM to COLD.

Electrical Ratings

K3001
16FLA, 84LRA at 125V AC, 8FLA, 40LRA at 240V AC



Customer Service Telephone 1.800.304.6563
Customer Service Facsimile 1.800.426.0804
HVACCustomerService@robertshaw.com

For Technical Service
Telephone 1.800.445.8299
Facsimile 1.630.260.7294
TechnicalService@robertshaw.com

Robertshaw®, Ranco®, Paragon® and Uni-Line® are trademarks of Robertshaw, its subsidiaries and/or affiliated companies. All other brands mentioned may be the trademarks of their respective owners.

www.uni-line.com
www.robertshaw.com
©2015 Robertshaw
03/15 -1529022 Rev B