



▶ Model LP7

StreamLine® Low Profile Combination Sounder/Strobe



LP7 sounder/strobe combines the features of a mini sounder with a fully integrated xenon strobe circuit.

Operating voltage ranges from 18-28VDC with an average of only 68 mA current consumption.

The LP7 has two switchable tone patterns: "Sweeping" and "Continuous".

The LP7 has a range of 82-100 dBa @ 10' (92-110 dBa @ 1m), dependent upon tone selected. Volume control is set by dip switch, which allows for 20 dBa of adjustment.

The LP7 features a bright xenon strobe that produces 0.7 Joules of flash energy with a flash frequency of 60 flashes per minute. The beacon will operate jointly with any tone selected.

The Federal Signal Model LP7 sounder/strobe is PLC compatible. It is ideal for wall or panel mount applications where low voltage is required.

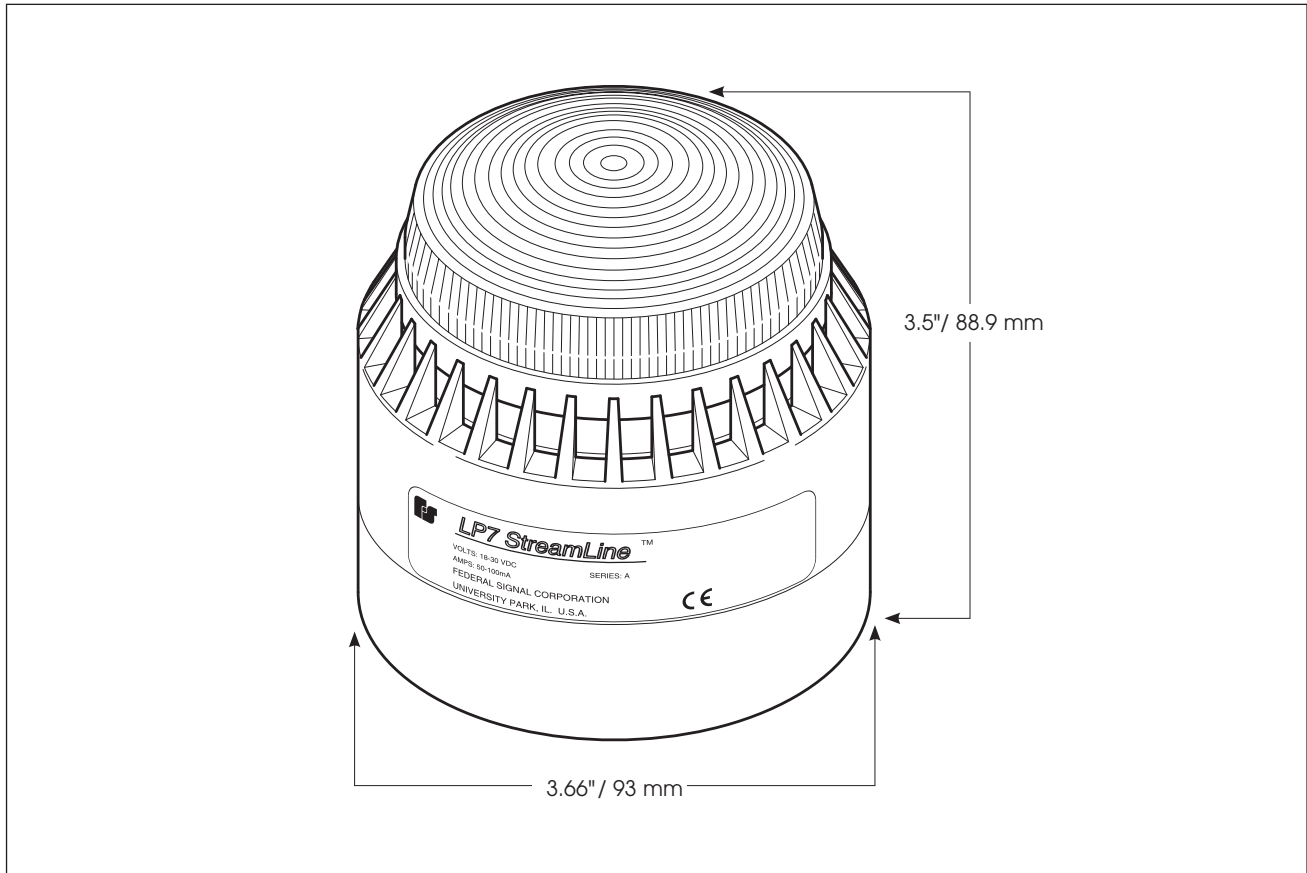
FEATURES

- Available in 18–28VDC
- Fully integrated xenon strobe circuit
- Four dome colors: Amber, Blue, Clear and Red
- Heavy duty ABS plastic body
- 82–100 dBa @ 10' (92–110 dBa @ 1m)
- Type 4X, IP54 enclosure
- CE Compliant
- RoHS Compliant

| MODEL | VOLTAGE | OPERATING CURRENT | FLASH RATE/ MINUTE | JOULE OUTPUT | DECIBELS | |
|-------------------|----------|-------------------|--------------------|--------------|----------|--------|
| | | | | | 10' | 1M |
| LP7-18-30* | 18-28VDC | 0.068 amps | 60 | 0.7 | 82-100 | 92-110 |

* Indicates color: (A) Amber, (B) Blue, (C) Clear or (R) Red

StreamLine® Low Profile Sounder/Strobe (LP7)



SPECIFICATIONS

| | | |
|------------------------|---------------|---------------|
| Lamp Life: | | 10,000 Hours |
| Light Source: | | Strobe tube |
| Operating Temperature: | 14°F to 131°F | -10°C to 55°C |
| Net Weight: | 11.1 oz | 315.0 kg |
| Shipping Weight: | 13.5 oz | 383.0 kg |
| Height: | 3.5" | 88.9 mm |
| Diameter: | 3.66" | 93.0 mm |

HOW TO ORDER

