



► Model 350WBX

Vibratone® Hazardous Location Horn

Model 350WBX (AC current) Vibratone® horn produces sound by electro-mechanical vibration of a stainless steel diaphragm. The horn mechanism with diaphragm is attached to the grille. The water- and dust-tight backbox is ideal for indoor or outdoor use.

The Model 350WBX features a die-cast zinc housing with a corrosion-resistant polyurethane finish. The rugged outer grille resists vandalism without reducing sound output. The 350WBX is fused and utilizes a terminal block connection.

Vibratone horns are excellent for general alarm, start/dismissal, coded paging and process control signaling in areas where their sound output exceeds ambient noise levels. Compact size and a variety of installation options make them ideal for institutional use.

FEATURES

- Available in 120VAC and 240VAC
- Coded or sustained tones
- Produces 100 dBa @ 10' (110 dBa @ 1m)
- Fuse terminal block provided for field wiring
- Surface, flush or semi-flush mounting
- Indoor or outdoor use
- Type 4X enclosure
- UL and cUL Listed for Class I, Division 2; Class II, Division 2; Class III
- CSA Certified

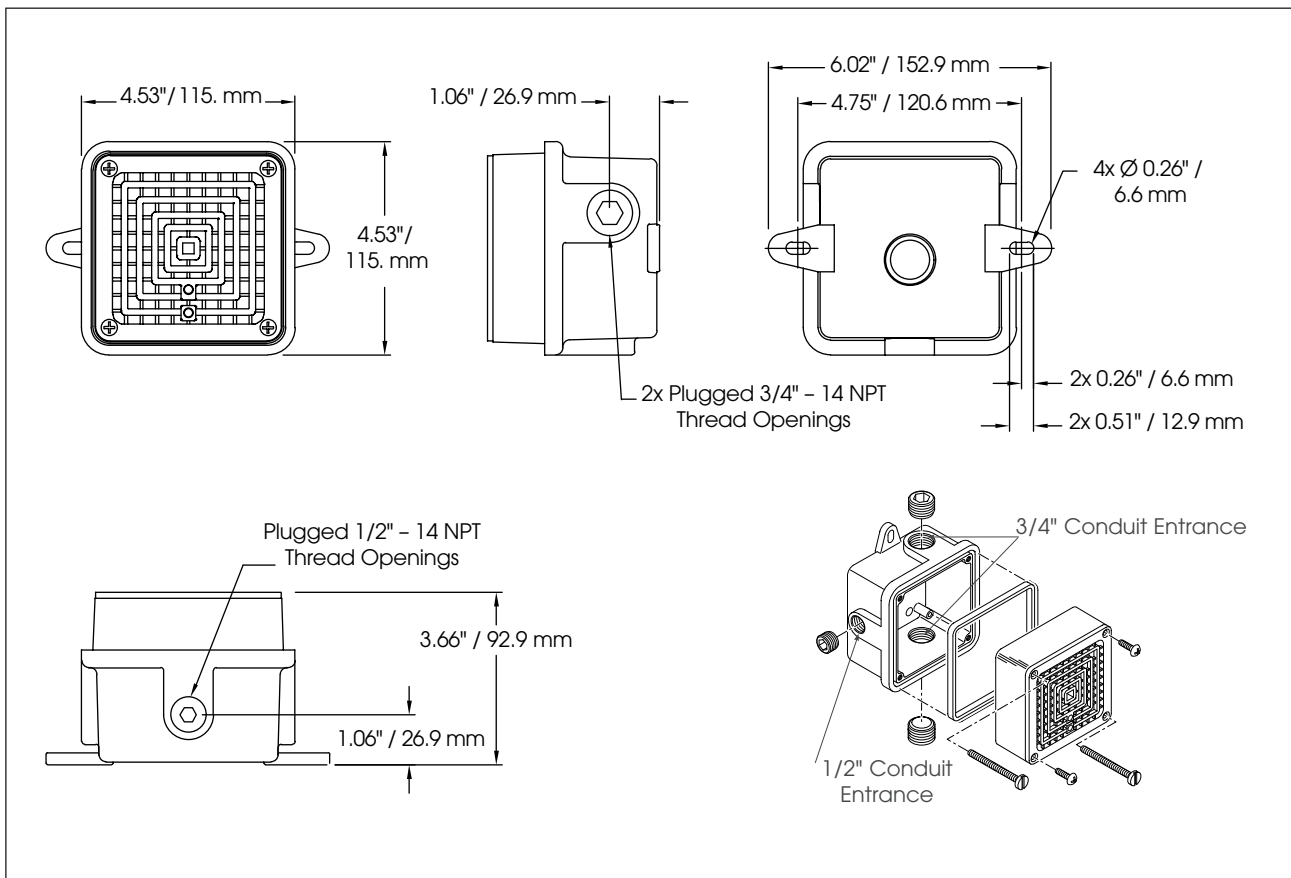
MODEL	VOLTAGE	OPERATING CURRENT	DECIBELS	
			10'	1M
350WBX-120	120VAC 50/60Hz	0.18 amps	100	110
350WBX-240	240VAC 50/60Hz	0.09 amps	100	110

HAZARDOUS LOCATION RATING: 350WBX

T-CODE AT MAXIMUM AMBIENT TEMPERATURE, °C

Hazardous Location	40°C
Class I, Division 2, Groups A, B, C, D	T4
Class II, Division 2, Groups F, G	T4
Class III	T4

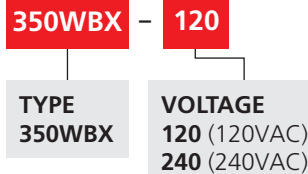
Vibratone® Hazardous Location Horns (350WBX)



SPECIFICATIONS

Operating Temperature:	-65°F to 104°F	-54°C to 40°C
Net Weight:	2.7 lbs	1.2 kg
Shipping Weight:	2.8 lbs	1.2 kg
Height:	4.53"	115 mm
Width:	4.53"	115 mm
Depth:	3.66"	92.9 mm

HOW TO ORDER



REPLACEMENT PARTS

Description	Part Number
Volume Control Kit	K8435663B
Coil, 120VAC	KFC1516C
Coil, 240VAC	KFC1506C

OPTIONAL ACCESSORIES

Description	Part Number
Non-metallic double projector directs sounds to both sides when attached to 350/450E models; ideal for use in hallways; 4" H x 11-1/2" W x 4" D; shipping weight 1 lb (0.45kg)	PR2-NM

