



F-can (72C)

F-CAN HID MH BAL 100W M90/140 120/277V FCAN

The Philips Advance line of F-can HID ballasts comes in two dual-voltage configurations for the US and Canadian market. Ballasts for these luminaires are most often encased and potted in fluorescent ballast type cans.

Product data

General Information		Input Current (Operating) (Nom)	
ANSI Code	M90-M140(PULSESTART)		1.1/0.48 A A
Lamp Type	100W MH	Input Power (Nom)	125 W
Number of Lamps	1 piece/unit	Rated Lamp Watts	100 W
Circuit Type	HX-HPF	Wiring	
Ballast Type	Magnetic HID	Wire Striplength	0.5 mm
Base Model	72C5381	Wire Length by Color	12"
Suitable For Outdoor Use	Yes	Wire Type	Stranded
Ignitor Catalog Number	Inside Can	Remote Wiring Configuration Allowed	Yes
Capacitor Catalog Number	Inside Can	Max Ballast-Lamp Distance Remote Wiring	5'
Automatic Restart	No	Recommended Fuse Value	6/3 A
Operating and Electrical		Mechanical and Housing	
Input Voltage	120/277 V	Housing Material	Metal
Input Frequency	60 Hz	Housing	F-Can
Inp. Current (Open Circuit)	2.55/1.1 A	Housing Dimensions	11.75 x 2.63 x 3.19
Input Current (Starting)	2.2/0.95 A	Approval and Application	
Input Current (Short Circuit)	0.7-1.1/0.3-0.5 A	Open Circuit Voltage Test (Volts)	250-305 V
Secondary Short Circuit Current	1.3-1.6 A	Approbation Marks	CSA certificate UL certificate RoHS Compliant
Constant Wattage Deviation	12%	Temperature Marking	90°C max. case
Ballast Factor (Nom)	1	UL Recognized	No
Power Factor (Nom)	0.90		
Nominal Open Circuit Voltage	277 V		

F-can (72C)

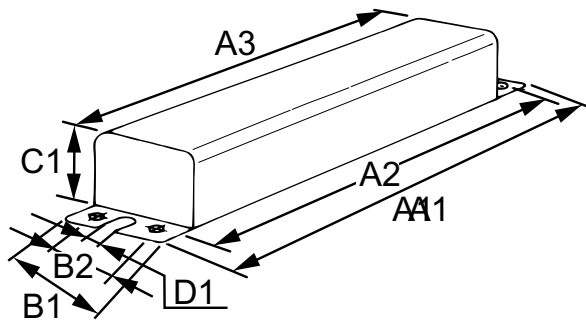
Hipot Test (1 Minute)	1600 V
Hipot Test (2 Seconds)	2000 V
UL Insulation Class	A(105°C)
UL Temperature Code	NA

Product Data

Order product name	F-CAN HID MH BAL 100W M90/140 120/277V FCAN
--------------------	--

EAN/UPC - Product	781087025277
Order code	72C5381NP001
Numerator - Quantity Per Pack	1
Numerator - Packs per outer box	1
Material Nr. (12NC)	913710408101
Net Weight (Piece)	4.541 kg

Dimensional drawing



MH BAL 100W M90/140 120/277V FCAN

Product	A1	A2	A3	B1	B2	C1	D1
F-CAN HID MH BAL 100W M90/140 120/277V FCAN	12 in	11.13 in	10.5 in	3.9 in	2.0 in	2.6 in	0.3 in

