

Please read and save these instructions. Read carefully before attempting to assemble, install, operate or maintain the product described. Protect yourself and others by observing all safety information. Failure to comply with instructions could result in personal injury and/or property damage! Retain instructions for future reference.

Dayton® Fan Forced Wall Heaters

Description

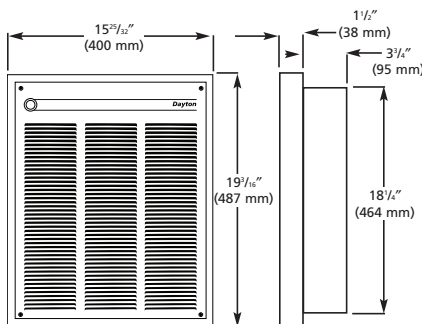
Dayton fan-forced large wall heaters provide electric heat for offices, reception rooms, game rooms, family rooms and similar light-duty commercial and residential applications. These heaters have an integral thermostat so a separate thermostat is not necessary. Heaters include a built-in power disconnect switch for added safety during maintenance and can be surface mounted using optional surface frame.

Specifications

Model Number	Volts	Phase	Watts	Amps	Wire Gauge
2HAD7	120	1	1500	12.5	12
2HAD8	120	1	1800	15.0	12
3UF59D*	277	1	3000/1500	10.8/5.4	14
3UF60D*	240/208	1	4000/3000	16.7/14.5	10
			2000/1500	8.3/7.2	12
3UF61D*	277/240	1	4000/3000	14.5/12.5	12
			2000/1500	7.2/6.3	12
3UF62D	208/240	1	3600/4800	17.3/20.0	10
3UF63D	240/277	1	3600/4800	15.0/17.3	10
3END1	208	1	4000/2000	19.3/9.7	10

(*) Factory wired for higher wattage. Field convertible to half wattage.

Dimensions



General Safety Information

⚠ WARNING *Read Carefully - These instructions are written to help you prevent difficulties that might arise during installation of heaters. Studying the instructions first may save you considerable time and money later. Observe the following procedures and cut your installation time to a minimum. TO REDUCE RISK OF FIRE OR ELECTRIC SHOCK:*

1. Disconnect all power coming to heater at main service panel before wiring or servicing.
2. All wiring must be in accordance with the National and Local Electrical Codes and the heater must be grounded.

3. Verify the power supply voltage coming to heater matches the ratings printed on the heater nameplate before energizing.
4. This heater is hot when in use. To avoid burns, do not let bare skin touch hot surfaces.
5. Do not insert or allow foreign objects to enter any ventilation or exhaust opening as this may cause an electric shock, fire, or damage to the heater.
6. Do not block air intakes or exhaust in any manner. Keep combustible materials, such as crates, drapes, etc., away from heater. Do not install behind doors, furniture, towels, or boxes.
7. A heater has hot and arcing (sparking) parts inside. Do not use it in areas where gasoline, paint, or flammable liquids are used or stored.
8. Use this heater only as described in this manual. Any other use not recommended by the manufacturer may cause fire, electric shock, or injury to persons.

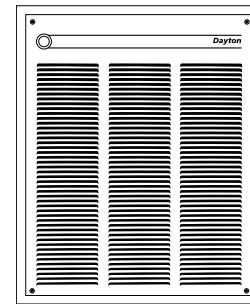


Figure 1



9. This heater is not approved for use in corrosive atmospheres, such as marine, green house, or chemical storage areas.
10. Do not install heater upside down or sideways. Do not use heater without grille.
11. For wall mounting only. Do not install heater closer than 8" (203 mm) to the floor or any adjacent wall surface. Do not install closer than 36" (915 mm) to the ceiling.

SAVE THESE INSTRUCTIONS

NOTE: This heater has a continuous fan-only feature. See page 4 for details.

Installation

RECESSED BACK BOX IN NEW CONSTRUCTION

1. Mounting Back Box (See Figure 2, page 2).
 - a. Place the back box between two 16" (406 mm) center-to-center wall studs at the desired mounting height but no closer than 8" (203 mm) to adjacent wall or floor.
 - b. Align back box such that the bottom and sides will be flush with finished wall surface (top flange of back box should protrude approximately 1/2" [12.7 mm] from finished wall surface).

Dayton® Fan Forced Wall Heaters

Installation (Continued)

- c. Secure the back box in position with wood screws or nails as shown in Figure 2.

2. Power Supply Wiring (See Figure 2).

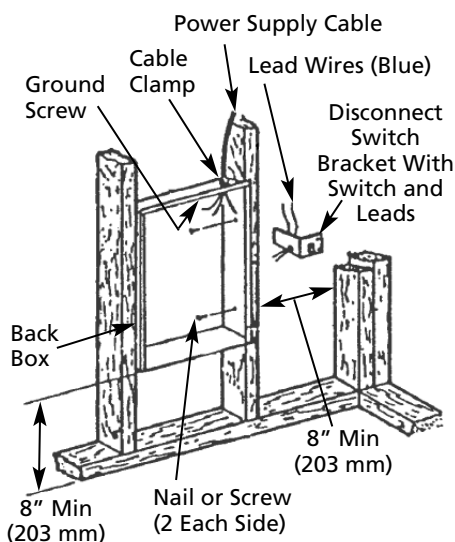


Figure 2 – Locating Recessed Back Box in New Construction

NOTE: Wire compartment volume – 119 in.³ (1950 cm³).

- Run a power supply cable into the knockout area in the upper right hand corner of the back box. All wiring must be in accordance with National and Local Electrical Codes. Refer to Specifications for correct wire size.
- Remove disconnect switch bracket by loosening two screws on the right side.
- Install a cable clamp in the “knockout” in the top of the back box.
- Insert power supply cable through cable clamp, allowing at least 6” (152 mm) of leads to extend inside the back box. Connect the blue lead

wires of disconnect switch to the supply wire leads using wire connectors (See Wiring Diagram, page 4).

- Ground the back box by connecting the supply ground lead wire to the green ground screw located in the inside top of the back box.

- Secure disconnect switch bracket in place by tightening screws.

RECESSED BACK BOX IN EXISTING CONSTRUCTION

- Provide a wall opening 14½” (362 mm) wide by 18½” (470 mm) high at the desired mounting height, but no closer than 8” (203 mm) (See Figure 3).

2. Power Supply Wiring

NOTE: Wiring Compartment Volume – 119 in.³ (1950 cm³).

- Run a power supply cable into the area above the top of the wall opening. All wiring must be in accordance with National and Local electrical codes. Refer to Specifications for correct wire size.
 - Remove disconnect switch bracket by loosening the two screws on the right side.
 - Install a cable clamp in the “knockout” in the top of wall back box.
 - Insert power supply cable through cable clamp, allowing approximately 6” (152 mm) of cable length to remain inside the back box to facilitate connections.
- ### 3. Mounting Back Box
- Place the back box into wall opening flush with finished wall surface on bottom and sides of box. (Top flange of backbox should protrude approximately ½” [12.7 mm] from finished wall surface.)

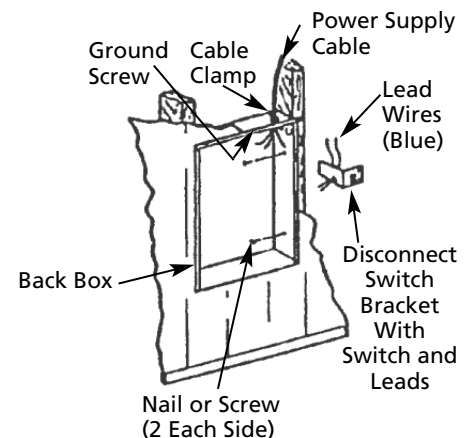
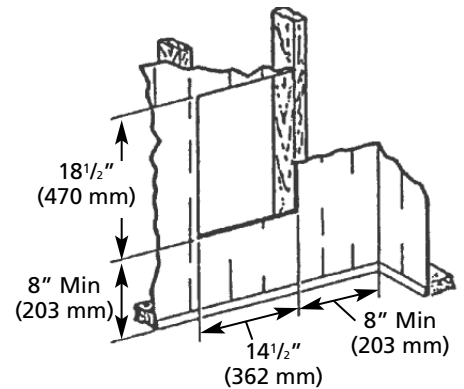


Figure 3 – Locating Recessed Back Box in Existing Construction

- Secure the back box in place with wood screws or nails.

4. Wiring Disconnect Switch

- Connect the power supply wires to the blue wires of the disconnect switch using wire connectors (See Wiring Diagram, page 4).
- Ground the back box connecting the supply ground lead wire to the green ground screw located in the inside top of the back box.
- Secure disconnect switch bracket in place by tightening screws.

Models 2HAD7, 2HAD8, 3UF59D thru 3UF63D and 3END1

Installation (Continued)

BACK BOX WITH SURFACE-MOUNTING FRAME 3UF66D

(See Figure 4)

1. Secure back box to wall with knockouts in upper right hand corner using screws and anchors.
2. Hang the surface-mounting frame on the back box. Ensure that the back edge of the surface-mounting frame is flush against the wall.

Mount Back Box to Wall Using Rear Mounting Brackets

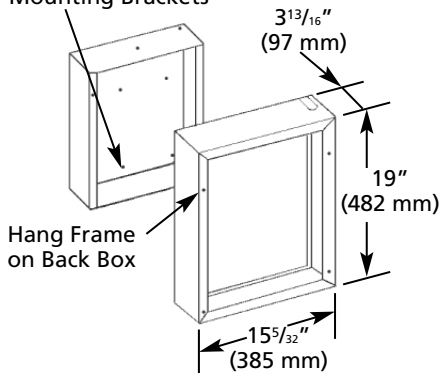


Figure 4 – Surface Mounting Installation

NOTE: If heater is located in a high traffic area where it may be subjected to vandalism or abuse, take extreme care to see that the box is firmly attached to the wall.

3. Power Supply Wiring

NOTE: Wiring Compartment Volume – 119 in.³ (1950 cm³).

- a. Run a power supply cable into the area of the upper right corner of the mounting frame. Arrangement of wiring to this point must be in accordance with National and Local codes. Refer to Specifications for proper wire size.

NOTE: If the wiring is to run through the wall, cut a hole in the area of the

top of the wall box. Run the supply wire through this hole. Then remove the “knockout” from the top of the box and proceed to step C.

- b. Remove the “knockout” on the top side of the frame.
- c. Remove disconnect switch bracket by loosening the two screws on the right side.
- d. Feed the power supply cable through the frame allowing 6” (152 mm) of lead to remain inside the back box.
- e. Secure the power supply cable to the back box (using cable clamp, connector, or other suitable strain relief) allowing 6” (152 mm) of lead to remain inside the back box.
- f. Connect supply wires to blue wires of disconnect switch using wiring connectors (See Wiring Diagram, page 4).
- g. Ground the back box by connecting the supply ground leadwire to the green ground screw located in the inside top of the back box.
- h. Secure disconnect switch bracket in place.

HEATER ASSEMBLY AND GRILLE

After back box is completely installed and no further construction dirt is expected, clean debris from back box, remove heater assembly from its carton, then refer to Figure 5 and proceed as follows:

1. Insert the heater assembly into back box, placing the four mounting holes (with key-hole slots) over the screws in the back box. Tighten all screws securely.
2. If surface-mounting frame is used, ensure that the frame is even with all four heater assembly tabs before tightening screws.

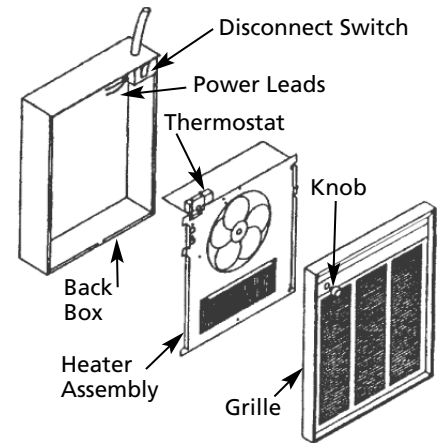


Figure 5

3. Connect the two disconnected switch wires to the heater control switch (thermostat) leads using wire nuts. After connection, push wires back into the opening.
4. Turn thermostat to the extreme counterclockwise position.
5. Push disconnect switch into ON position.
6. Mount the grille using the four (4) long screws provided. The screws thread into holes located in the side flanges of the back box.
7. Push thermostat knob onto thermostat shaft.

NOTE TO INSTALLER: Converting heater to half wattage

The 3UF59D thru 3UF63D wall heaters are manufactured and shipped at the higher rated wattage (See Specifications, page 1). Full wattage heaters can be converted to half wattage by doing the following steps:

1. Remove the red jumper wire as shown in Figure 6, page 4 and discard.
2. To permanently make the heater half wattage, cut the male terminal spade, carefully not to damage the cold pin and discard.
3. Mark the wattage of the heater on the white label inside the backbox.

ENGLISH

Dayton® Fan Forced Wall Heaters

Installation (Continued)

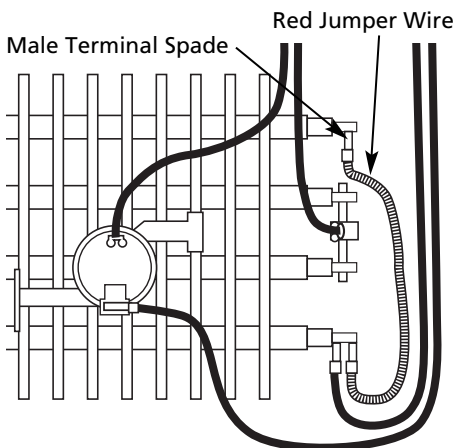


Figure 6 – Converting Heater to Half Wattage

Operation

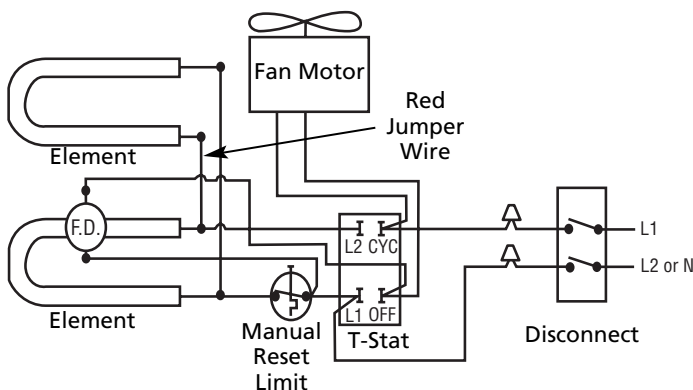
1. Rotate the thermostat knob fully clockwise. This should energize the heating elements and fan causing warm air to flow from the hot air discharge at the openings in the bottom of the grille.

2. After the operation check, rotate the thermostat knob to the desired position to obtain room comfort.
3. For continuous fan-only operation (elements will not be energized) rotate thermostat knob where indicator dot on knob is aligned with FAN.
4. There will be a short delay from the time the unit is turned on until the fan engages. This is to allow the elements time to warm up. The fan will also continue to run once the unit is turned off to allow the elements time to cool.

NOTE: For best results, the heater should be left "ON" constantly during the heating season because the thermostat, when properly set, will maintain the desired temperature.

CAUTION *Operation of the manual reset safety thermal limit control is an indication that the heater has been subjected to some abnormal condition. It is recommended that the heater be checked by a reputable electrician or repair service to ensure the heater has not been damaged.*

Wiring Diagram



208V, 240V, or 277V (Full wattage heaters can be converted to half wattage by removing the red jumper wire connecting the top and bottom element terminals.)

Diagram 1 – 1500, 1800, 4800, 4000 & 3000 Watt Heaters

Maintenance

TO RESET MANUAL RESET LIMIT

Your heater is equipped with a manual reset safety thermal limit control that will automatically turn the heater off to prevent a fire if the heater overheats. This control is located on the fan panel assembly between the element and fan blade and marked "reset". The red reset button can be seen through the front grille when the heater is installed. To reset, allow the heater to cool, then push the red button that is visible through the hole in the fan panel. The heater should immediately return to normal operation.

Once each year the heater should be cleaned to remove dust and other foreign material which has collected during the heating season. This is a simple operation when performed as follows:

1. Turn off the electric power at main line switch (or remove all fuses) to disconnect electric power from the heater. THIS IS IMPORTANT.
2. Remove the grille (Figure 5, page 3) and turn the disconnect switch to the OFF position.

CAUTION *DO NOT use water or damp cloth for cleaning and DO NOT disturb the heating element.*

3. With a vacuum cleaner nozzle or dust cloth, remove dust and other foreign material.
4. After cleaning, turn disconnect switch to ON position and reinstall the grille.
5. Turn on the main line switch (or replace fuses) to restore power to the heater. The heater is now ready for another season of operation.

For Repair Parts, call 1-800-323-0620

24 hours a day – 365 days a year

Please provide following information:

- Model number
- Serial number (if any)
- Part description and number as shown in parts list

Reference Data

Catalog Number	Volts	Ph.	Watts
2HAD7	120	1	1500
2HAD8	120	1	1800
3UF59D	277	1	3000
3UF60D	208/240	1	3000/4000
3UF61D	240/277	1	3000/4000
3UF62D	208/240	1	3600/4800
3UF63D	240/277	1	3600/4800
3END1	208	1	4000/2000

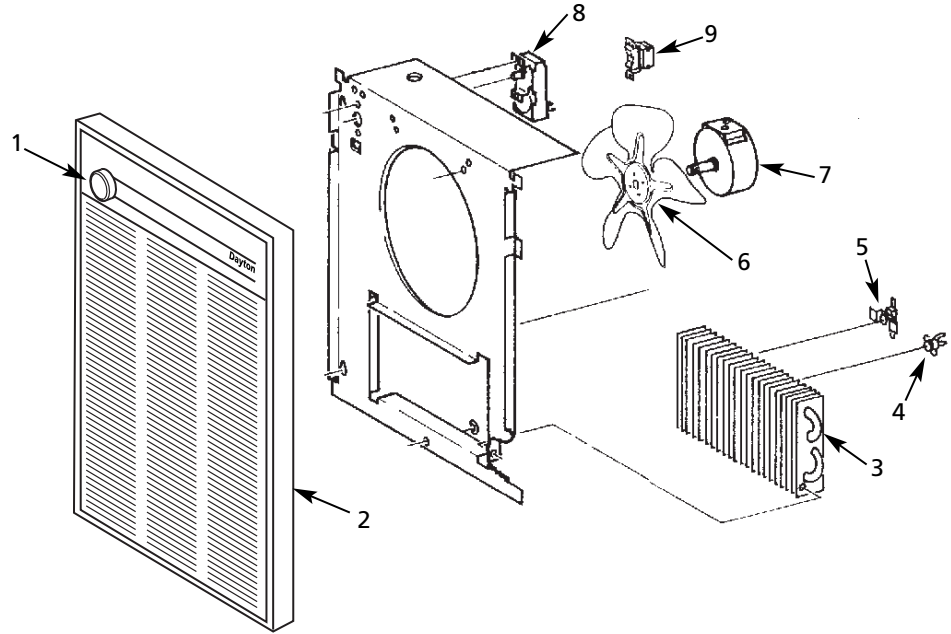


Figure 7 – Repair Parts Illustration for Fan Forced Wall Heaters

Repair Parts List for Fan Forced Wall Heaters

Reference Number	Description	Part Number for Models:				Quantity
		2HAD7	2HAD8	3UF59D	3UF60D	
1	Knob	3301-2016-001	3301-2016-001	3301-2016-001	3301-2016-001	1
2	Grille	2501-2068-000	2501-2068-000	2501-2068-000	2501-2068-000	1
3	Element	302012827	302012828	302012806	302012808	1
4	High Limit	—	—	—	—	1
	Manual Limit	4520-2027-000	4520-2027-000	4520-2027-000	4520-2027-000	1
5	Fan Delay	410074000	410074000	410074000	410074000	1
6	Fan Blade	490030103	490030103	490030103	490030103	1
7	Motor	3900-2010-003	3900-2010-003	3900-2010-001	3900-2010-000	1
8	Thermostat	5813-2059-000	5813-2059-000	5813-2059-000	5813-2059-000	1
9	Disconnect	410170001	410170001	410170001	410170001	1

Reference Number	Description	Part Number for Models:				Quantity
		3UF61D	3UF62D	3UF63D	3END1	
1	Knob	3301-2016-001	3301-2016-001	3301-2016-001	3301-2016-001	1
2	Grille	2501-2068-000	2501-2068-000	2501-2068-000	2501-2068-000	1
3	Element	302012809	302012810	302012811	302012807	1
4	High Limit	—	—	—	—	1
	Manual Limit	4520-2027-000	4520-2027-000	4520-2027-000	4520-2027-000	1
5	Fan Delay	410074000	410074000	410074000	410074000	1
6	Fan Blade	490030103	490030103	490030103	490030103	1
7	Motor	3900-2010-001	3900-2010-000	3900-2010-001	3900-2010-000	1
8	Thermostat	5813-2059-000	5813-2059-000	5813-2059-000	5813-2059-000	1
9	Disconnect	410170001	410170001	410170001	410170001	1

ENGLISH

Dayton® Fan Forced Wall Heaters

LIMITED WARRANTY

DAYTON ONE-YEAR LIMITED WARRANTY. DAYTON® FAN FORCED WALL HEATERS, MODELS COVERED IN THIS MANUAL, ARE WARRANTED BY DAYTON ELECTRIC MFG. CO. (DAYTON) TO THE ORIGINAL USER AGAINST DEFECTS IN WORKMANSHIP OR MATERIALS UNDER NORMAL USE FOR ONE YEAR AFTER DATE OF PURCHASE. ANY PART WHICH IS DETERMINED TO BE DEFECTIVE IN MATERIAL OR WORKMANSHIP AND RETURNED TO AN AUTHORIZED SERVICE LOCATION, AS DAYTON DESIGNATES, SHIPPING COSTS PREPAID, WILL BE, AS THE EXCLUSIVE REMEDY, REPAIRED OR REPLACED AT DAYTON'S OPTION. FOR LIMITED WARRANTY CLAIM PROCEDURES, SEE "PROMPT DISPOSITION" BELOW. THIS LIMITED WARRANTY GIVES PURCHASERS SPECIFIC LEGAL RIGHTS WHICH VARY FROM JURISDICTION TO JURISDICTION.

LIMITATION OF LIABILITY. TO THE EXTENT ALLOWABLE UNDER APPLICABLE LAW, DAYTON'S LIABILITY FOR CONSEQUENTIAL AND INCIDENTAL DAMAGES IS EXPRESSLY DISCLAIMED. DAYTON'S LIABILITY IN ALL EVENTS IS LIMITED TO AND SHALL NOT EXCEED THE PURCHASE PRICE PAID.

WARRANTY DISCLAIMER. A DILIGENT EFFORT HAS BEEN MADE TO PROVIDE PRODUCT INFORMATION AND ILLUSTRATE THE PRODUCTS IN THIS LITERATURE ACCURATELY; HOWEVER, SUCH INFORMATION AND ILLUSTRATIONS ARE FOR THE SOLE PURPOSE OF IDENTIFICATION, AND DO NOT EXPRESS OR IMPLY A WARRANTY THAT THE PRODUCTS ARE MERCHANTABLE, OR FIT FOR A PARTICULAR PURPOSE, OR THAT THE PRODUCTS WILL NECESSARILY CONFORM TO THE ILLUSTRATIONS OR DESCRIPTIONS. EXCEPT AS PROVIDED BELOW, NO WARRANTY OR AFFIRMATION OF FACT, EXPRESSED OR IMPLIED, OTHER THAN AS STATED IN THE "LIMITED WARRANTY" ABOVE IS MADE OR AUTHORIZED BY DAYTON.

Technical Advice and Recommendations, Disclaimer. Notwithstanding any past practice or dealings or trade custom, sales shall not include the furnishing of technical advice or assistance or system design. Dayton assumes no obligations or liability on account of any unauthorized recommendations, opinions or advice as to the choice, installation or use of products.

Product Suitability. Many jurisdictions have codes and regulations governing sales, construction, installation, and/or use of products for certain purposes, which may vary from those in neighboring areas. While attempts are made to assure that Dayton products comply with such codes, Dayton cannot guarantee compliance, and cannot be responsible for how the product is installed or used. Before purchase and use of a product, review the product applications, and all applicable national and local codes and regulations, and be sure that the product, installation, and use will comply with them.

Certain aspects of disclaimers are not applicable to consumer products; e.g., (a) some jurisdictions do not allow the exclusion or limitation of incidental or consequential damages, so the above limitation or exclusion may not apply to you; (b) also, some jurisdictions do not allow a limitation on how long an implied warranty lasts, consequently the above limitation may not apply to you; and (c) by law, during the period of this Limited Warranty, any implied warranties of implied merchantability or fitness for a particular purpose applicable to consumer products purchased by consumers, may not be excluded or otherwise disclaimed.

Prompt Disposition. A good faith effort will be made for prompt correction or other adjustment with respect to any product which proves to be defective within limited warranty. For any product believed to be defective within limited warranty, first write or call dealer from whom the product was purchased. Dealer will give additional directions. If unable to resolve satisfactorily, write to Dayton at address below, giving dealer's name, address, date, and number of dealer's invoice, and describing the nature of the defect. Title and risk of loss pass to buyer on delivery to common carrier. If product was damaged in transit to you, file claim with carrier.

Manufactured for Dayton Electric Mfg. Co., 5959 W. Howard St., Niles, Illinois 60714-4014 U.S.A.

Por favor lea y guarde estas instrucciones. Léelas cuidadosamente antes de tratar de montar, instalar, operar o dar mantenimiento al producto aquí descrito. Protéjase usted mismo y a los demás observando toda la información de seguridad. ¡El no cumplir con las instrucciones puede ocasionar daños, tanto personales como a la propiedad! Guarde estas instrucciones para referencia en el futuro.

Calentadores de Pared de Tiro Forzado por Ventilador Dayton®

Descripción

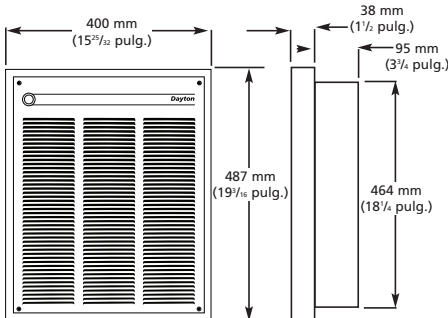
Los calentadores grandes de pared de tiro forzado por ventilador Dayton proporcionan calefacción eléctrica para oficinas, salas de recepción, salas de juego, habitaciones de familia y usos comerciales y residenciales de tipo liviano similares. Estos calentadores tienen un termostato integral y, por consiguiente, no necesitan un termostato separado. Los calentadores incluyen un interruptor de desconexión eléctrica incorporado para mayor seguridad durante todo mantenimiento y se pueden montar en una superficie utilizando un bastidor opcional para superficies.

Especificaciones

Número de modelo	Voltios	Fase	Vatios	Amperios	Calibre de alambre
2HAD7	120	1	1500	12.5	12
2HAD8	120	1	1800	15.0	12
3UF59D*	277	1	3000/1500	10.8/5.4	14
3UF60D*	240/208	1	4000/3000	16.7/14.5	10
			2000/1500	8.3/7.2	12
3UF61D*	277/240	1	4000/3000	14.5/12.5	12
			2000/1500	7.2/6.3	12
3UF62D	208/240	1	3600/4800	17.3/20.0	10
3UF63D	240/277	1	3600/4800	15.0/17.3	10
3END1	208	1	4000/2000	19.3/9.7	10

(*) Cableado en la fábrica para alto vataje. Se puede convertir a medio vataje en el campo.

Dimensiones



Información de Seguridad General

ADVERTENCIA Lea cuidadosamente - Estas instrucciones se han escrito para ayudarle a evitar las dificultades que podrían surgir durante la instalación de los calentadores. El estudio de las instrucciones como primer paso puede ahorrarle posteriormente una considerable cantidad de tiempo y dinero. Observe los procedimientos siguientes y reduzca a un mínimo su tiempo de instalación. **PARA REDUCIR EL RIESGO DE INCENDIO O CHOQUE ELÉCTRICO:**

1. Desconecte toda la alimentación eléctrica suministrada para el calentador en el panel principal de servicio antes de intentar hacer cualquier trabajo de cableado o mantenimiento.
2. Todo el cableado deberá cumplir con los códigos eléctricos nacionales y locales, y el calentador debe conectarse a tierra.
3. Verifique que el voltaje de alimentación suministrado al calentador coincida con los valores de capacidad impresos en la placa de identificación del calentador antes de energizarlo.
4. Este calentador está caliente cuando se utiliza. Para evitar quemaduras, no permita que la piel expuesta toque las superficies calientes.
5. No inserte ni permita que objetos extraños entren en ninguna abertura de ventilación o escape, ya que esto podría causar un choque eléctrico, incendio o daños al calentador.

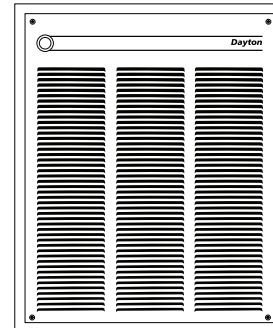


Figura 1

6. No bloquee de ninguna manera las entradas o salidas de aire. Mantenga los materiales combustibles, como las cajas de madera, cortinas, etc. lejos del calentador. No instale el calentador detrás de puertas, muebles, toallas o cajas.
7. Los calentadores tienen en su interior piezas calientes y productoras de arcos y chispas eléctricas. No utilice el calentador en las áreas donde se utilice o almacene gasolina, pintura o líquidos inflamables.
8. Utilice este calentador sólo como se describe en este manual. Cualquier otro uso no recomendado por el fabricante podría causar incendio, choque eléctrico o lesiones a las personas.
9. Este calentador no está aprobado para uso en atmósferas corrosivas, como por ejemplo, de mar, invernaderos o áreas de almacenamiento de productos químicos.
10. No instale el calentador en posición invertida ni de lado. No utilice el calentador sin la rejilla.

Calentadores de Pared de Tiro Forzado por Ventilador Dayton®

Información de Seguridad General (Continuación)

11. Sólo para montaje en pared. No instale el calentador a menos de 203 mm (8 pulg.) del piso o cualquier superficie de pared adyacente. No instale el calentador a menos de 915 mm (36 pulg.) del techo.

CONSERVE ESTAS INSTRUCCIONES

AVISO: Este calentador tiene una capacidad de sólo función continua del ventilador. Consulte la página 4 para ver los detalles.

Instalación

CAJA POSTERIOR EMPOTRADA EN UNA CONSTRUCCION NUEVA

1. Montaje de la caja posterior (consulte la Figura 2).

a. Coloque la caja posterior entre dos postes de pared separados 406 mm (16 pulg.) entre sí de centro a centro, a la altura de montaje deseada pero a no menos de 203 mm (8 pulg.) de la pared o piso adyacente.

b. Alinee la caja posterior en forma que la parte inferior y los lados estén al ras con la superficie acabada de la pared (el reborde superior de la caja posterior debe sobresalir aproximadamente 12.7 mm [1/2 pulg.] de la superficie acabada de la pared).

c. Fije en posición la caja posterior con los tornillos o clavos para madera, como se muestra en la Figura 2.

2. Cableado de suministro eléctrico (consulte la Figura 2).

AVISO: Volumen del compartimiento de cableado – 1950 cm³ (119 pulg.³).

a. Tienda un cable de suministro eléctrico hasta el área del agujero ciego situado en la esquina superior derecha de la caja posterior. Todo el cableado deberá cumplir con los códigos eléctricos nacionales y

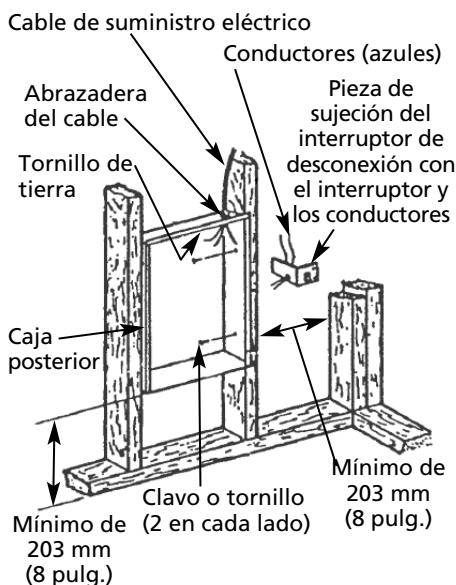


Figura 2 – Ubicación de la Caja Posterior Empotrada en una Construcción Nueva

locales. Consulte las Especificaciones para ver el tamaño correcto de alambre o conductor.

b. Afloje dos tornillos en el lado derecho y retire la pieza de sujeción del interruptor de desconexión.

c. Instale una abrazadera de cable en el agujero ciego en la parte superior de la caja posterior.

d. Inserte el cable de alimentación a través de la abrazadera del cable, dejando por lo menos 152 mm (6 pulg.) de longitud de cada conductor dentro de la caja posterior. Conecte los conductores azules del interruptor de desconexión a los conductores del cable de alimentación, usando conectores de alambres (consulte el Diagrama de Cableado en la página 4).

e. Conecte a tierra la caja posterior mediante la conexión del conductor de conexión a tierra del cable de alimentación al tornillo verde de conexión a tierra situado en el lado superior-interior de la caja posterior.

f. Vuelva a instalar la pieza de sujeción del interruptor de desconexión y apriete los tornillos para fijarlo en posición.

CAJA POSTERIOR EMPOTRADA EN UNA CONSTRUCCION EXISTENTE

1. Proporcione una abertura en la pared de 362 mm (14 1/2 pulg.) de ancho y 470 mm (18 1/2 pulg.) de alto a la altura de montaje deseada, pero a no menos de 203 mm (8 pulg.) (consulte la Figura 3).

2. Cableado de suministro eléctrico

AVISO: Volumen del compartimiento de cableado – 1950 cm³ (119 pulg.³).

a. Tienda un cable de suministro eléctrico hasta el área por encima de la abertura en la pared. Todo el cableado deberá cumplir con los códigos eléctricos nacionales y locales. Consulte las Especificaciones para ver el tamaño correcto de alambre o conductor.

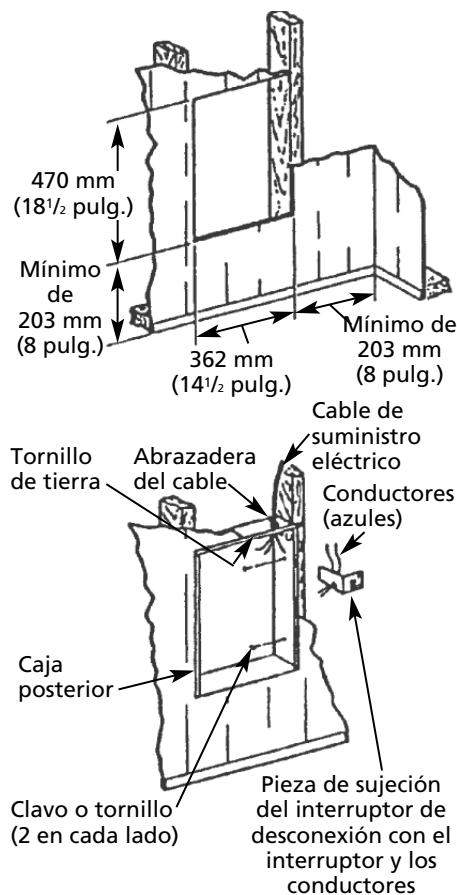


Figura 3 – Ubicación de la Caja Posterior Empotrada en una Construcción Existente

E
S
P
A
Ñ
O
L

Modelos 2HAD7, 2HAD8 y 3UF59D, 3UF63D a 3END1

Instalación (Continuación)

- b. Afloje los dos tornillos en el lado derecho y retire la pieza de sujeción del interruptor de desconexión.
 - c. Instale una abrazadera de cable en el agujero ciego en la parte superior de la caja posterior de pared.
 - d. Inserte el cable de alimentación a través de la abrazadera del cable, dejando aproximadamente 152 mm (6 pulg.) de longitud de cable dentro de la caja posterior para facilitar las conexiones.
3. Montaje de la caja posterior
- a. Coloque la caja posterior dentro de la abertura en la pared, con la parte inferior y los lados al ras con la superficie acabada de la pared. (El reborde superior de la caja posterior deberá sobresalir aproximadamente 12.7 mm [1/2 pulg.] de la superficie acabada de la pared.)
 - b. Fije en posición la caja posterior con los tornillos o clavos para madera.

2. Cuelgue el bastidor de montaje en superficie en la caja posterior. Asegúrese que el borde posterior del bastidor para montaje en superficie esté al ras contra la pared.

Monte la caja posterior en la pared usando los soportes de montaje posteriores

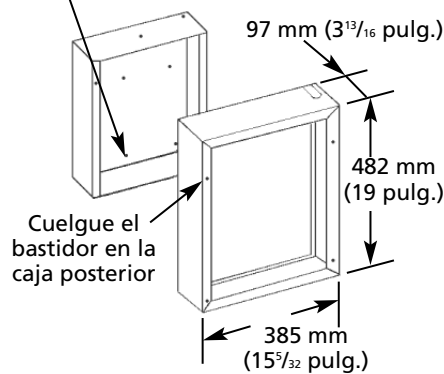


Figura 4 – Instalación para el Montaje en Superficie

AVISO: Si el calentador se encuentra en una zona de mucho tráfico donde podría ser estropeada o abusada, asegúrese bien que la caja esté firmemente sujeta a la pared.

3. Cableado de suministro eléctrico

AVISO: Volumen del compartimiento de cableado – 1950 cm³ (119 pulg.³).

- a. Tienda un cable de suministro eléctrico hasta el área de la esquina superior derecha del bastidor de montaje. La disposición del cableado a este punto deberá cumplir con los códigos nacionales y locales. Consulte las Especificaciones para ver el tamaño adecuado de alambre o conductor.

AVISO: Si se va a pasar un cable a través de la pared, corte un agujero en el área de la parte superior de la caja de pared. Pase el cable de suministro eléctrico a través de este agujero. Luego destape el agujero ciego que está en la parte superior de la caja y proceda al paso C.

- b. Destape el agujero ciego en la parte superior del bastidor.
- c. Afloje los dos tornillos en el lado derecho y retire la pieza de sujeción del interruptor de desconexión.

- d. Inserte el cable de suministro eléctrico a través del agujero en el bastidor y deje 152 mm (6 pulg.) de longitud de cable dentro de la caja posterior.
- e. Fije el cable de suministro eléctrico en la caja posterior (usando una abrazadera de cable, un conector u otro aliviador de esfuerzo adecuado) y deje 152 mm (6 pulg.) de longitud de cada conductor del cable dentro de la caja posterior.
- f. Conecte los conductores del cable de alimentación a los conductores azules del interruptor de desconexión usando conectores de alambres (consulte el Diagrama de Cableado en la página 4).
- g. Conecte a tierra la caja posterior mediante la conexión del conductor de conexión a tierra del cable de alimentación al tornillo verde de conexión a tierra situado en el lado superior-interior de la caja posterior.
- h. Fije en posición la pieza de sujeción del interruptor de desconexión.

CONJUNTO DEL CALENTADOR Y LA REJILLA

Después de instalar completamente la caja posterior y cuando ya no espere tener más polvo ni tierra de construcción, limpie todos los escombros de la caja posterior, extraiga el conjunto del calentador de su caja de cartón, luego refiérase a la Figura 5 y proceda en la forma siguiente:

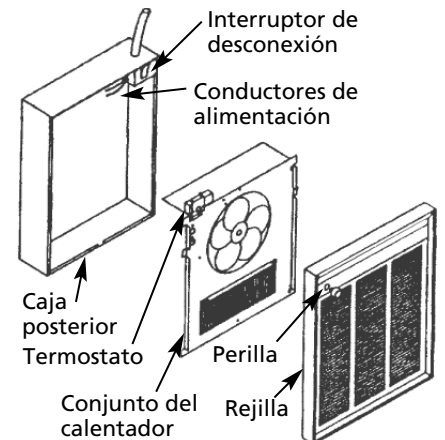


Figura 5

CAJA POSTERIOR CON BASTIDOR PARA MONTAJE EN SUPERFICIE 3UF66D

(Véase la Figura 4).

1. Con tornillos y anclas, fije la caja posterior en la pared con los agujeros ciegos en la esquina superior derecha.

E S P A Ñ O L

Calentadores de Pared de Tiro Forzado por Ventilador Dayton®

Instalación (Continuación)

1. Inserte el conjunto del calentador en la caja posterior, colocando los cuatro agujeros de montaje (con ranuras para chavetas) sobre los tornillos en la caja posterior. Apriete firmemente todos los tornillos.
2. Si se utiliza el bastidor para montaje en superficie, asegúrese que el bastidor esté parejo con todas las cuatro lengüetas del conjunto del calentador antes de apretar los tornillos.
3. Conecte los dos conductores desconectados del interruptor de desconexión a los conductores del interruptor de control del calentador (termostato) usando tuercas para alambre. Después de hacer la conexión, inserte los conductores en la abertura.
4. Ponga el termostato en la posición más extrema hacia la izquierda.
5. Presione y ponga el interruptor de desconexión en la posición de encendido (ON).
6. Monte la rejilla usando los cuatro (4) tornillos largos suministrados. Los tornillos se enroscan en los agujeros que están situados en los rebordes laterales de la caja posterior.
7. Monte la perilla del termostato en el eje del termostato.

AVISO PARA EL INSTALADOR: Conversión de calentadores a medio vataje

Los calentadores de pared 3UF59D a 3UF63D se fabrican y envían configurados para alto vataje (consulte las Especificaciones en la página 1). Los calentadores de pleno vataje se pueden convertir a medio vataje siguiendo los pasos a continuación:

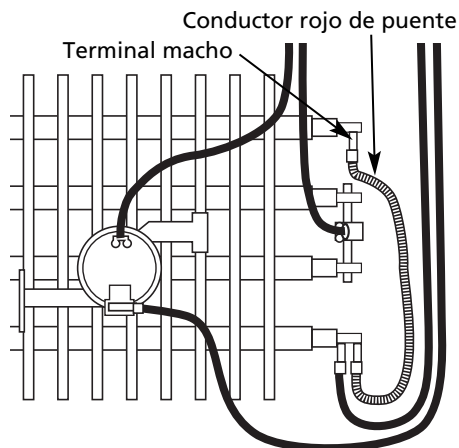


Figura 6 – Conversión del Calentador a Medio Vataje

1. Retire el conductor rojo de puente según se muestra en la Figura 6 y deséchelo.
2. Para convertir permanentemente un calentador a medio vataje, corte el terminal macho, cuidando de no dañar el pasador no energizado y deséchelo.

3. Marque el vataje del calentador en la etiqueta blanca ubicada dentro de la caja posterior.

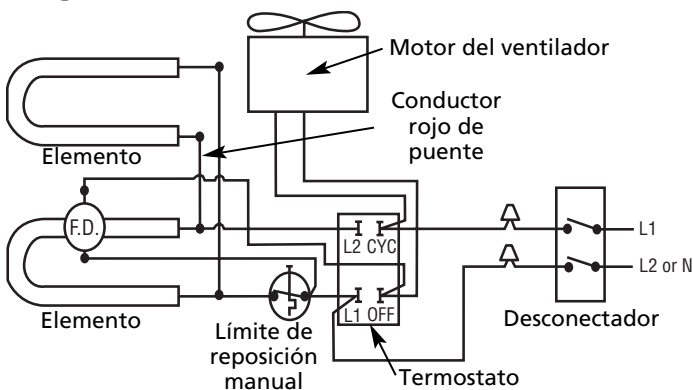
Operación

1. Gire la perilla del termostato totalmente en el sentido horario (hacia la derecha). Esto debe energizar los elementos de calefacción y el ventilador y causar que fluya aire tibio a través de la salida de aire caliente en las aberturas en la parte inferior de la rejilla.
2. Después de verificar el funcionamiento, gire la perilla del termostato a la posición deseada para tener una temperatura cómoda en la habitación.
3. Para el funcionamiento continuo sólo del ventilador (los elementos permanecen desenergizados) gire la perilla del termostato hasta que el punto indicador en la perilla esté alineado con la posición FAN (ventilador).
4. Habrá un breve tiempo de demora desde el momento en que se enciende la unidad hasta que el ventilador comienza a funcionar. Esto es para darles tiempo a los elementos para calentarse. El ventilador también continuará funcionando una vez que se apague la unidad para darles tiempo a los elementos para enfriarse.

AVISO: Para obtener los mejores resultados, el calentador debe dejarse encendido (ON) continuamente durante la temporada de uso de la calefacción porque el termostato, cuando esté dispuesto correctamente, mantendrá la temperatura deseada.

PRECAUCIÓN La operación del control de reposición manual del límite térmico de seguridad es una indicación de que el calentador ha estado sujeto a alguna condición anormal. Se recomienda que un electricista o un servicio de reparación de buena reputación revise el calentador para asegurarse que no se haya dañado.

Diagramas de Cableado



208V, 240V o 277V (Los calentadores de pleno vataje pueden convertirse en calentadores de medio vataje si se retira el conductor rojo de puente que conecta las terminales de los elementos superior e inferior).

Diagrama 1 – Calentadores de 1500, 1800, 4800, 4000 y 3000 Vatios

Modelos 2HAD7, 2HAD8 y 3UF59D, 3UF63D a 3END1

Mantenimiento

PARA REPONER EL LIMITE DE REPOSICION MANUAL

Su calentador está equipado con un control de reposición manual de límite térmico de seguridad, que apaga automáticamente el calentador para impedir un incendio si éste se sobrecalienta. Este control se encuentra en el conjunto del panel del ventilador entre el elemento y las aspas del ventilador y está marcado con la palabra "reset". El botón de reposición rojo puede verse a través de la rejilla frontal cuando el calentador está instalado. Para reponer, permita que el calentador se enfríe, luego presione el botón rojo que aparece visible a través de la abertura en el panel del ventilador. El calentador

deberá regresar inmediatamente a un funcionamiento normal.

Se recomienda limpiar el calentador una vez por año para eliminar el polvo y todo otro material extraño que se haya acumulado durante la temporada de uso de la calefacción. Ésta es una simple operación cuando se realiza en la forma siguiente:

1. Corte la alimentación eléctrica en el interruptor principal de la línea de suministro (o extraiga todos los fusibles) para desconectar la alimentación eléctrica para el calentador. ESTO ES IMPORTANTE.
2. Desmonte la rejilla (Figura 5, página 4) y ponga el interruptor de desconexión en la posición OFF (Apagado).

⚠ PRECAUCION **NO utilice agua ni un trapo húmedo para hacer la limpieza y NO toque el elemento de calefacción.**

3. Con la boquilla de una aspiradora o un trapo para limpiar polvo, limpie el polvo y todo otro material extraño.
4. Después de limpiar la unidad, ponga el interruptor de desconexión en la posición ON (Encendido) y vuelva a instalar la rejilla.
5. Vuelva a conectar el suministro eléctrico en el interruptor principal de la línea de suministro (o vuelva a instalar los fusibles) para restablecer la alimentación eléctrica para el calentador. Ahora el calentador está listo para funcionar otra vez.

GARANTIA LIMITADA

GARANTIA LIMITADA DE DAYTON POR UN AÑO. DAYTON ELECTRIC MFG. CO. (DAYTON) LE GARANTIZA AL USUARIO ORIGINAL QUE LOS MODELOS TRATADOS EN ESTE MANUAL DE LOS CALENTADORES DE PARED DE TIRO FORZADO POR VENTILADOR DAYTON® ESTAN LIBRES DE DEFECTOS EN LA MANO DE OBRA O EL MATERIAL, CUANDO SE LES SOMETE A USO NORMAL, POR UN AÑO A PARTIR DE LA FECHA DE COMPRA. CUALQUIER PARTE QUE SE HALLE DEFECTUOSA, YA SEA EN EL MATERIAL O EN LA MANO DE OBRA, Y SEA DEVUELTA (CON LOS COSTOS DE ENVIO PAGADOS POR ADELANTADO) A UN CENTRO DE SERVICIO AUTORIZADO DESIGNADO POR DAYTON, SERA REPARADA O REEMPLAZADA (NO EXISTE OTRA POSIBILIDAD) SEGUN LO DETERMINE DAYTON. PARA OBTENER INFORMACION SOBRE LOS PROCEDIMIENTOS DE RECLAMO CUBIERTOS EN LA GARANTIA LIMITADA, VEA LA SECCION "ATENCIÓN OPORTUNA" QUE APARECE MAS ADELANTE. ESTA GARANTIA LIMITADA CONFIERE AL COMPRADOR DERECHOS LEGALES ESPECIFICOS QUE VARIAN DE JURISDICCION A JURISDICCION.

LIMITES DE RESPONSABILIDAD. EN LA MEDIDA EN QUE LAS LEYES APLICABLES LO PERMITAN, LA RESPONSABILIDAD DE DAYTON POR LOS DAÑOS EMERGENTES O INCIDENTALES ESTA EXPRESAMENTE EXCLUIDA. LA RESPONSABILIDAD DE DAYTON EXPRESAMENTE ESTA LIMITADA Y NO PUEDE EXCEDER EL PRECIO DE COMPRA PAGADO POR EL ARTICULO.

EXCLUSION DE RESPONSABILIDAD DE LA GARANTIA. SE HAN HECHO ESFUERZOS DILIGENTES PARA PROPORCIONAR INFORMACION E ILUSTRACIONES APROPIADAS SOBRE EL PRODUCTO EN ESTE MANUAL; SIN EMBARGO, ESTA INFORMACION Y LAS ILUSTRACIONES TIENEN COMO UNICO PROPOSITO LA IDENTIFICACION DEL PRODUCTO Y NO EXPRESAN NI IMPLICAN GARANTIA DE QUE LOS PRODUCTOS SEAN VENDIBLES O ADECUADOS PARA UN PROPOSITO EN PARTICULAR NI QUE SE AJUSTAN NECESARIAMENTE A LAS ILUSTRACIONES O DESCRIPCIONES. CON EXCEPCION DE LO QUE SE ESTABLECE A CONTINUACION, DAYTON NO HACE NI AUTORIZA NINGUNA GARANTIA O AFIRMACION DE HECHO, EXPRESA O IMPLICITA, QUE NO SEA ESTIPULADA EN LA "GARANTIA LIMITADA" ANTERIOR.

Consejo Técnico y Recomendaciones, Exclusiones de Responsabilidad. A pesar de las prácticas, negociaciones o usos comerciales realizados previamente, las ventas no deberán incluir el suministro de consejo técnico o asistencia o diseño del sistema. Dayton no asume ninguna obligación o responsabilidad por recomendaciones, opiniones o consejos no autorizados sobre la elección, instalación o uso de los productos.

Adaptación del Producto. Muchas jurisdicciones tienen códigos o regulaciones que rigen la venta, la construcción, la instalación y/o el uso de productos para ciertos propósitos que pueden variar con respecto a los aplicables a las zonas vecinas. Si bien se trata de que los productos Dayton cumplan con dichos códigos, no se puede garantizar su conformidad y no se puede hacer responsable por la forma en que se instale o use su producto. Antes de comprar y usar el producto, revise su aplicación y todos los códigos y regulaciones nacionales y locales aplicables y asegúrese de que el producto, la instalación y el uso los cumplan.

Ciertos aspectos de limitación de responsabilidad no se aplican a productos al consumidor; es decir (a) algunas jurisdicciones no permiten la exclusión ni limitación de daños incidentales o consecuentes, de modo que las limitaciones o exclusiones anteriores quizás no apliquen en su caso; (b) asimismo, algunas jurisdicciones no permiten limitar el plazo de una garantía implícita, por lo tanto, la limitación anterior quizás no aplique en su caso; y (c) por ley, mientras la Garantía Limitada esté vigente no podrán excluirse ni limitarse en modo alguno ninguna garantía implícita de comercialización o de idoneidad para un propósito en particular aplicables a los productos al consumidor adquiridos por éste.

Atención Oportuna. Se hará un esfuerzo de buena fe para corregir puntualmente, o hacer otros ajustes, con respecto a cualquier producto que resulte defectuoso dentro de los términos de esta garantía limitada. En el caso de que encuentre un producto defectuoso y que esté cubierto dentro de los límites de esta garantía haga el favor de escribir primero, o llame, al distribuidor a quien le compró el producto. El distribuidor le dará las instrucciones adicionales. Si no puede resolver el problema en forma satisfactoria, escriba a Dayton a la dirección a continuación, dando el nombre del distribuidor, su dirección, la fecha y el número de la factura del distribuidor y describa la naturaleza del defecto. La propiedad del artículo y el riesgo de pérdida pasan al comprador en el momento de la entrega del artículo a la compañía de transporte. Si el producto se daña durante el transporte, debe presentar su reclamo a la compañía transportista.

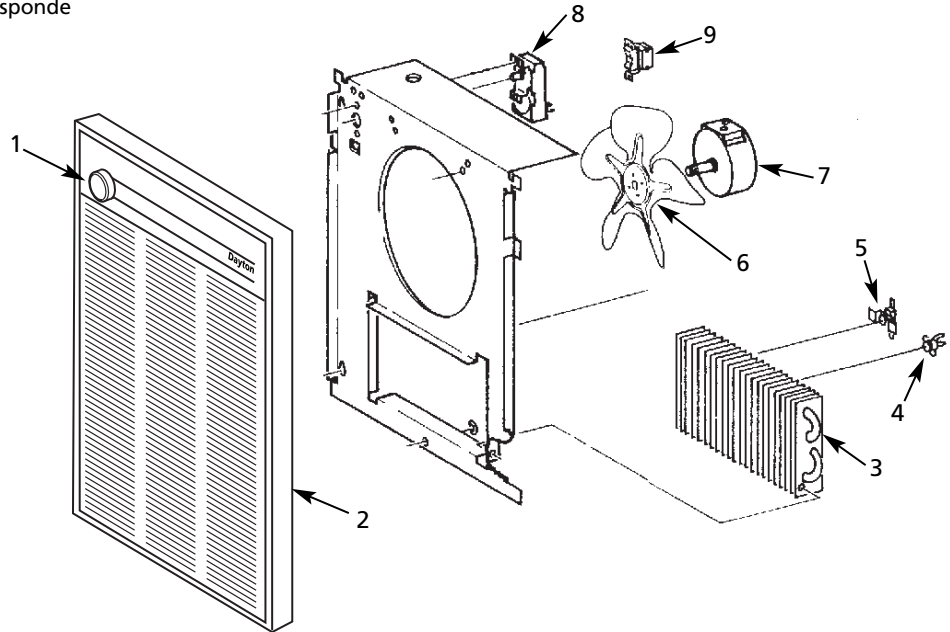
Fabricado para Dayton Electric Mfg. Co., 5959 W. Howard St., Niles, Illinois 60714-4014 EE.UU.

**Para Obtener Partes de Reparación en México Llame al 001-800-527-2331
en EE.UU. Llame al 1-800-323-0620**

Servicio permanente – 24 horas al día al año

Por favor proporciónenos la siguiente información:

- Número de modelo
- Número de serie (si lo tiene)
- Descripción de la parte y número que le corresponde en la lista de partes



Información de Referencia

Número de Catálogo	Voltios	Fase	Vatios
2HAD7	120	1	1500
2HAD8	120	1	1800
3UF59D	277	1	3000
3UF60D	208/240	1	3000/4000
3UF61D	240/277	1	3000/4000
3UF62D	208/240	1	3600/4800
3UF63D	240/277	1	3600/4800
3END1	208	1	4000/2000

Figura 7 – Ilustración de las Partes de Reparación para los Calentadores de Pared de Tiro Forzado por Ventilador

Lista de Partes de Reparación para los Calentadores de Pared de Tiro Forzado por Ventilador

No. de Ref.	Descripción	Número de Parte para Modelos:				Cantidad
		2HAD7	2HAD8	3UF59D	3UF60D	
1	Perilla	3301-2016-001	3301-2016-001	3301-2016-001	3301-2016-001	1
2	Rejilla	2501-2068-000	2501-2068-000	2501-2068-000	2501-2068-000	1
3	Elemento	302012827	302012828	302012806	302012808	1
4	Límite alto	—	—	—	—	1
	Límite manual	4520-2027-000	4520-2027-000	4520-2027-000	4520-2027-000	1
5	Retardo del ventilador	410074000	410074000	410074000	410074000	1
6	Aspas del ventilador	490030103	490030103	490030103	490030103	1
7	Motor	3900-2010-003	3900-2010-003	3900-2010-001	3900-2010-000	1
8	Termostato	5813-2059-000	5813-2059-000	5813-2059-000	5813-2059-000	1
9	Desconectador	410170001	410170001	410170001	410170001	1

No. de Ref	Descripción	Número de Parte para Modelos:				Cantidad
		3UF61D	3UF62D	3UF63D	3END1	
1	Perilla	3301-2016-001	3301-2016-001	3301-2016-001	3301-2016-001	1
2	Rejilla	2501-2068-000	2501-2068-000	2501-2068-000	2501-2068-000	1
3	Elemento	302012809	302012810	302012811	302012807	1
4	Límite alto	—	—	—	—	1
	Límite manual	4520-2027-000	4520-2027-000	4520-2027-000	4520-2027-000	1
5	Retardo del ventilador	410074000	410074000	410074000	410074000	1
6	Aspas del ventilador	490030103	490030103	490030103	490030103	1
7	Motor	3900-2010-001	3900-2010-000	3900-2010-001	3900-2010-000	1
8	Termostato	5813-2059-000	5813-2059-000	5813-2059-000	5813-2059-000	1
9	Desconectador	410170001	410170001	410170001	410170001	1

Veillez lire et conserver ces instructions. Lire attentivement avant de commencer à assembler, installer, faire fonctionner ou entretenir l'appareil décrit. Protégez-vous et les autres en observant toutes les informations sur la sécurité. Négliger d'appliquer ces instructions peut résulter en des blessures corporelles et/ou en des dommages matériels ! Conserver ces instructions pour références ultérieures.

Radiateurs muraux à air pulsé de Dayton®

Description

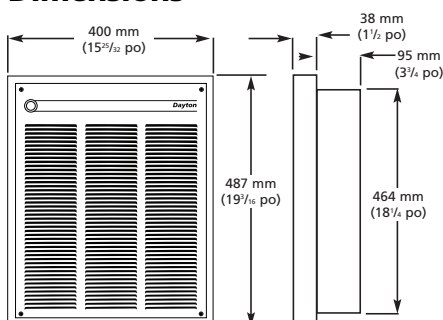
Les grands radiateurs muraux à air pulsé de Dayton fournissent de la chaleur par électricité dans des bureaux, des salles de réception, des salles de jeu, des salles familiales et dans d'autres applications commerciales exigeant un chauffage de faible puissance. Ces radiateurs comprennent un thermostat intégré qui élimine le besoin d'un thermostat séparé. Les radiateurs comprennent un sectionneur d'alimentation intégré qui ajoute à la sécurité lors de l'entretien et qui peut être monté en applique en utilisant le cadre en option.

Spécifications

Numéro de modèle	Volts	Phase	Watts	Ampères	Calibre de fil
2HAD7	120	1	1500	12,5	12
2HAD8	120	1	1800	15,0	12
3UF59D*	277	1	3000/1500	10,8/5,4	14
3UF60D*	240/208	1	4000/3000	16,7/14,5	10
			2000/1500	8,3/7,2	12
3UF61D*	277/240	1	4000/3000	14,5/12,5	12
			2000/1500	7,2/6,3	12
3UF62D	208/240	1	3600/4800	17,3/20,0	10
3UF63D	240/277	1	3600/4800	15,0/17,3	10
3END1	208	1	4000/2000	19,3/9,7	10

(*) Câblé à l'usine pour une puissance supérieure. Convertible sur site à 50 % de la puissance câblée à l'usine.

Dimensions



Informations générales sur la sécurité

⚠ AVERTISSEMENT Lire attentivement - Ces instructions ont pour but de vous aider à éviter des difficultés susceptibles de survenir lors de l'installation des radiateurs. L'étude de ces instructions avant l'installation pourrait vous procurer des économies substantielles de temps et d'argent plus tard. Observer les procédures suivantes pour réduire au minimum le temps d'installation. **AFIN DE RÉDUIRE LE**

RISQUE D'INCENDIE OU DE DÉCHARGE ÉLECTRIQUE :

1. Couper l'alimentation du radiateur au niveau du panneau de service principal avant d'effectuer le câblage ou l'entretien.
2. Tous les fils doivent être conformes au Code national de l'électricité et aux codes locaux; et le radiateur doit être mis à la terre.
3. Avant de mettre sous tension, vérifier que la tension d'alimentation arrivant au radiateur correspond aux caractéristiques nominales imprimées sur la plaque signalétique.
4. Ce radiateur est chaud lorsqu'il est utilisé. Pour éviter les brûlures, ne pas laisser la peau nue entrer en contact avec les surfaces chaudes.
5. Ne pas insérer ou laisser des corps étrangers pénétrer dans toute ouverture de ventilation ou de sortie, car il pourrait en résulter une décharge électrique, un incendie ou des dommages au radiateur.

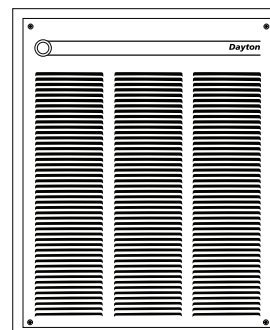


Figure 1

6. Ne bloquer en aucune manière les entrées d'air ou la sortie. Garder les matériaux combustibles, comme les caisses, les draperies, etc. loin du radiateur. Ne pas installer derrière des portes, des meubles, des serviettes ou des boîtes.
7. Un radiateur comprend des pièces internes chaudes et qui produisent un arc électrique. Ne pas utiliser dans des endroits où sont utilisés ou entreposés de l'essence, de la peinture ou des liquides inflammables.
8. Utiliser ce radiateur seulement de la manière décrite dans ce manuel. Toute autre utilisation non recommandée par le fabricant peut causer un incendie, une décharge électrique ou des blessures.
9. Ce radiateur n'est pas approuvé pour une utilisation dans des atmosphères corrosives, comme des zones marines, des serres ou d'entreposage de produits chimiques.
10. Ne pas installer le radiateur à l'envers ou de profil. Ne pas utiliser le radiateur sans sa grille.
11. Pour un montage sur mur seulement. Ne pas installer le radiateur à moins de 203 mm (8 po) d'un plancher ou de toute surface murale adjacente. Ne pas installer à moins de 915 mm (36 po) d'un plafond.

CONSERVER CES INSTRUCTIONS

Radiateurs muraux à air pulsé de Dayton®

Informations générales sur la sécurité (suite)

REMARQUE : Ce radiateur est seulement équipé d'un ventilateur continu. Voir la page 4 pour obtenir des détails.

Installation

BOÎTE ARRIÈRE ENCASTRÉE DANS LES NOUVELLES CONSTRUCTIONS

- Boîte arrière de montage (voir la Figure 2).
 - Placer la boîte arrière entre deux montants muraux centre à centre de 406 mm (16 po) à la hauteur de montage voulue, mais à au moins 203 mm (8 po) d'un mur ou d'un plancher adjacent.
 - Aligner la boîte arrière de manière à ce que le fond et les côtés ne dépassent pas de la surface finie du mur (le rebord supérieur de la boîte arrière doit dépasser d'environ 12,7 mm [1/2 po] de la surface finie du mur).
 - Fixer solidement la boîte arrière en position avec des vis à bois ou des clous, comme il est illustré à la Figure 2.
- Câblage d'alimentation (voir la Figure 2).

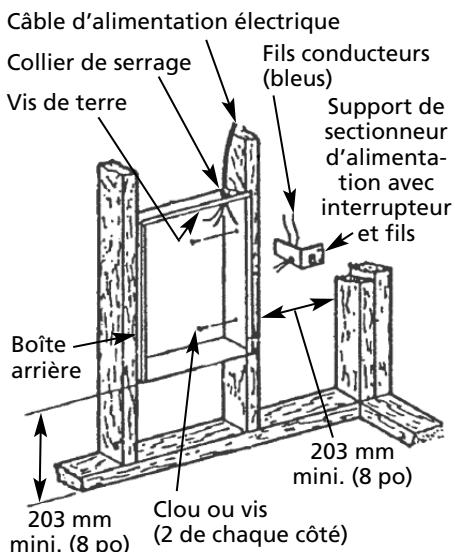


Figure 2 – Repérage de la boîte arrière encastrée dans une nouvelle construction

REMARQUE : Volume du compartiment des fils – 1950 cm³ (119 po³).

- Acheminer un câble d'alimentation à travers l'alvéole défonçable, dans le coin supérieur droit de la boîte arrière. Tout le câblage doit être conforme aux codes nationaux et locaux de l'électricité. Consulter les Spécifications pour connaître les calibres de fil appropriés.
- Enlever le support du sectionneur d'alimentation en desserrant les deux vis du côté droit.
- Installer un collier de serrage dans « l'alvéole » située sur le dessus de la boîte arrière.
- Insérer un câble d'alimentation à travers le collier de serrage en laissant au moins 152 mm (6 po) de câble à l'intérieur de la boîte arrière. Connecter les fils de connexion bleus du sectionneur d'alimentation sur les fils d'alimentation en utilisant des connecteurs à fil (voir les Schémas de câblage, page 4).
- Mettre à la terre la boîte arrière en connectant le fil de terre à la vis de terre verte située à l'intérieur de la partie supérieure de la boîte arrière.
- Fixer solidement le support du sectionneur d'alimentation en serrant les vis.

BOÎTE ARRIÈRE ENCASTRÉE DANS LES CONSTRUCTIONS EXISTANTES

- Faire une découpe murale de 362 mm (14 1/2 po) de large par 470 mm (18 1/2 po) de long, à la hauteur de montage voulue, mais à au moins 203 mm (8 po), (voir la Figure 3).
- Câblage d'alimentation électrique

REMARQUE : Volume du compartiment des fils – 1950 cm³ (119 po³).

- Acheminer un câble d'alimentation dans la zone au-dessus de la partie supérieure de l'ouverture murale. Tout le câblage doit être conforme aux codes nationaux et locaux de l'électricité. Consulter les Spécifications pour connaître les calibres de fil appropriés.

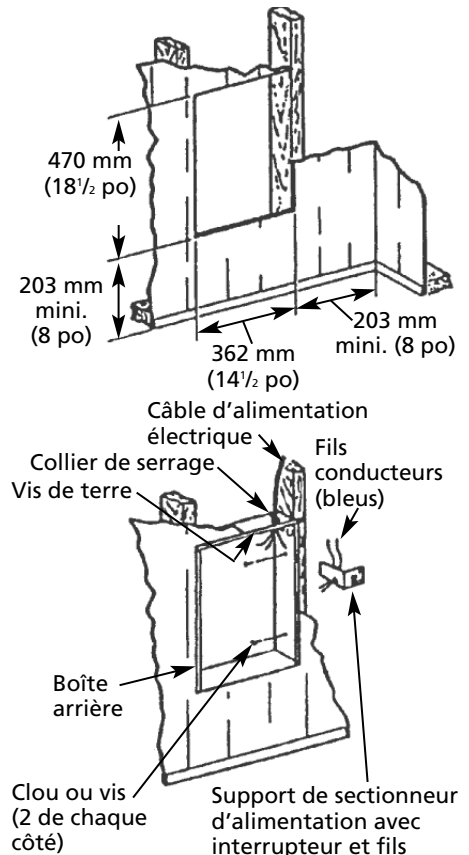


Figure 3 – Repérage de la boîte arrière encastrée dans une construction existante

- Enlever le support du sectionneur d'alimentation en desserrant les deux vis du côté droit.
 - Installer un collier de serrage dans « l'alvéole » située sur la partie supérieure de la boîte arrière murale.
 - Insérer un câble d'alimentation à travers le collier de serrage en laissant environ 152 mm (6 po) de câble à l'intérieur de la boîte arrière pour faciliter les connexions.
- Boîte arrière de montage
 - Placer la boîte arrière dans l'ouverture murale, au niveau de la surface murale terminée pour le bas et les côtés de la boîte. (Le rebord supérieur de la boîte arrière doit dépasser d'environ 12,7 mm [1/2 po] de la surface finie du mur.)

Modèles 2HAD7, 2HAD8, 3UF59D à 3UF63D et 3END1

Installation (suite)

- b. Fixer solidement la boîte arrière avec des vis à bois ou des clous.
- 4. Câblage du sectionneur d'alimentation
 - a. Connecter les fils d'alimentation aux fils bleus du sectionneur d'alimentation en utilisant des connecteurs à fil (voir les Schémas de câblage, page 4).
 - b. Mettre à la terre la boîte arrière en connectant le fil de terre à la vis de terre verte située à l'intérieur de la partie supérieure de la boîte arrière.
 - c. Fixer solidement le support du sectionneur d'alimentation en serrant les vis.

BOÎTE ARRIÈRE AVEC CADRE EN SAILLIE 3UF66D

(Voir la Figure 4)

1. Fixer solidement la boîte arrière avec des alvéoles dans le coin supérieur droit en utilisant des vis et des ancrages.
2. Suspendre le cadre en saillie sur la boîte arrière. S'assurer que le rebord arrière du cadre en saillie soit au niveau du mur.

REMARQUE : Si le radiateur est situé dans une aire passante où il pourrait être l'objet de vandalisme ou d'abus, veiller attentivement à ce que la boîte soit fermement fixée au mur.

3. Câblage d'alimentation électrique

Monter la boîte arrière sur le mur à l'aide des supports de montage arrière

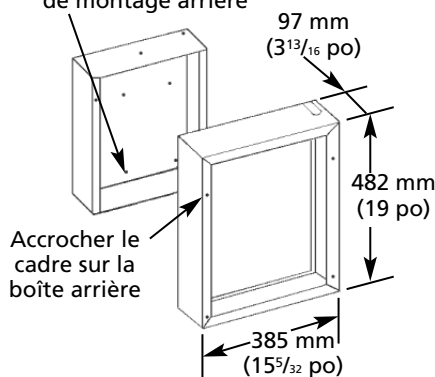


Figure 4 – Installation en surface

REMARQUE : Volume du compartiment des fils – 1950 cm³ (119 po³).

- a. Acheminer un câble d'alimentation dans le coin supérieur droit du cadre de montage. La disposition des fils à ce point doit être conforme aux codes nationaux et locaux de l'électricité. Consulter les Spécifications pour connaître les calibres de fil appropriés.

REMARQUE : Si le câblage doit passer à travers le mur, faire un trou sur le dessus de la boîte murale. Acheminer le fil d'alimentation à travers ce trou. Enlever ensuite « l'alvéole » du dessus de la boîte et passer à l'étape C.

- b. Enlever « l'alvéole » du dessus du cadre.
- c. Enlever le support du sectionneur d'alimentation en desserrant les deux vis du côté droit.
- d. Acheminer le câble d'alimentation à travers le cadre en laissant 152 mm (6 po) à l'intérieur de la boîte arrière.
- e. Fixer solidement le câble d'alimentation à la boîte arrière (utiliser un collier de serrage, un connecteur ou un autre type de serre-câble approprié) en laissant 152 mm (6 po) de fil à l'intérieur de la boîte arrière.
- f. Connecter les fils d'alimentation aux fils bleus du sectionneur d'alimentation en utilisant des connecteurs à fil (voir les Schémas de câblage, page 4).
- g. Mettre à la terre la boîte arrière en connectant le fil de terre à la vis de terre verte située à l'intérieur de la partie supérieure de la boîte arrière.
- h. Fixer solidement le support de sectionneur d'alimentation.

RADIATEUR ET GRILLE

Une fois la boîte arrière entièrement installée et qu'aucune autre poussière de construction supplémentaire n'est prévue, enlever les débris de la boîte arrière, retirer le radiateur de son emballage de carton et consulter la Figure 5 pour continuer :

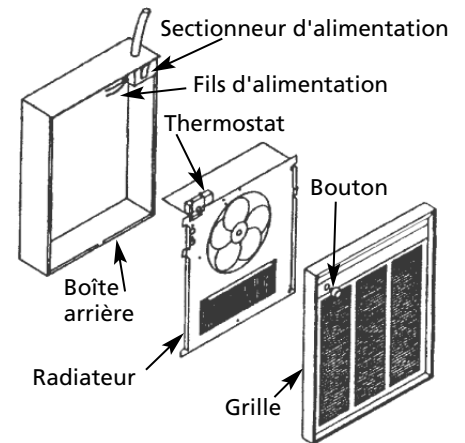


Figure 5

1. Insérer le radiateur dans la boîte arrière, en plaçant les quatre trous de montage (avec la fente en trou de serrure) par-dessus les vis dans la boîte arrière. Serrer fermement toutes les vis.
2. Si le cadre en saillie est utilisé, s'assurer que le cadre soit au niveau des quatre onglets du radiateur avant de serrer les vis.
3. Connecter les deux fils du sectionneur d'alimentation aux fils de l'interrupteur de commande du radiateur (thermostat) en utilisant des coinçeurs à câble. Après la connexion, repousser les fils dans l'ouverture.
4. Placer le thermostat à la position antihoraire la plus extrême.
5. Pousser sur le sectionneur d'alimentation pour le placer à la position de marche (ON).
6. Monter la grille avec les quatre (4) vis longues fournies. Les vis taraudent les trous situés dans les flasques latéraux de la boîte arrière.
7. Pousser le bouton du thermostat sur l'arbre du thermostat.

REMARQUE DESTINÉE À L'INSTALLATEUR : Conversion du radiateur à 50 % de sa puissance

Les radiateurs 3UF59D à 3UF63D sont fabriqués et expédiés pour fonctionner à la puissance supérieure (voir les Spécifications à la page 1). Les radiateurs pleine puissance peuvent être convertis à 50 % de la puissance en procédant comme suit :

Radiateurs muraux à air pulsé de Dayton®

Installation (suite)

1. Enlever le cavalier rouge, comme il est illustré à la Figure 6, et le jeter.
2. Pour convertir en permanence un radiateur à 50 % de sa puissance, couper la borne à cosse mâle rectangulaire, en veillant à ne pas endommager la broche d'élément et jeter.
3. Marquer la puissance du radiateur sur l'étiquette blanche à l'intérieur de la boîte arrière.

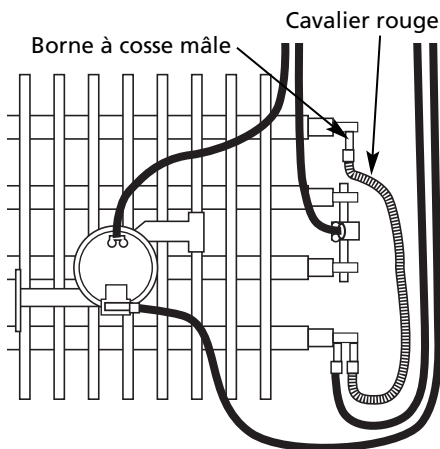
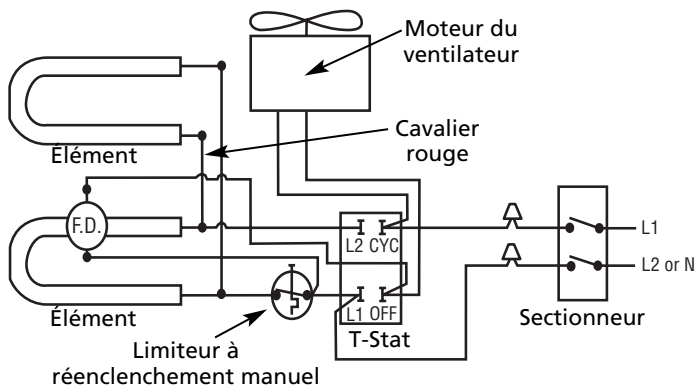


Figure 6 – Conversion du radiateur à mi-puissance

Fonctionnement

1. Tourner à fond le bouton du thermostat dans le sens horaire. Ceci devrait mettre les éléments chauffants et le ventilateur sous tension, et entraîner un débit d'air chaud à partir des orifices de sortie au bas de la grille.

Schémas de câblage



208 V, 240 V ou 277 V (Les radiateurs pleine puissance peuvent être convertis à mi-puissance si on enlève le cavalier rouge qui raccorde les bornes supérieure et inférieure).

Schéma 1 – Radiateurs 1500, 1800, 4800, 4000 et 3000 watts

2. Après avoir vérifié le fonctionnement, tourner le bouton du thermostat à la position désirée pour obtenir le confort voulu dans la pièce.
3. Pour que le ventilateur fonctionne en continu (les éléments chauffants ne seront pas activés) tourner le bouton du thermostat pour aligner le point sur le bouton avec la position FAN (ventilateur).
4. Le ventilateur démarre quelques instants après la mise en marche de l'appareil. Ceci donne quelques instants aux éléments pour se réchauffer. Le ventilateur continue également de fonctionner après l'extinction de l'appareil pour permettre le refroidissement des éléments.

REMARQUE : Pour obtenir de meilleurs résultats, le radiateur doit rester continuellement allumé (ON) pendant la saison de chauffage car le thermostat, lorsqu'il est réglé correctement, maintiendra la température voulue.

ATTENTION Le déclenchement du limiteur thermique de sécurité à réarmement manuel indique une condition anormale du radiateur. Il est recommandé de faire vérifier le radiateur par un électricien ou un service de réparation qualifié pour s'assurer que le radiateur n'a pas subi de dommages.

Entretien

POUR RÉENCLANCHER LE LIMITEUR THERMIQUE

Votre radiateur est équipé d'un limiteur thermique de sécurité à réarmement manuel qui éteint automatiquement le radiateur pour éviter un incendie en cas de surchauffe. Ce limiteur est situé sur le panneau du ventilateur, entre l'élément et la pale du ventilateur; il porte la marque « reset ». Le bouton rouge de réarmement peut être vu à partir de la grille avant lors de l'installation du radiateur. Pour réenclencher, laisser refroidir le radiateur, appuyer sur le bouton rouge visible par le trou dans le panneau du ventilateur. Le radiateur doit se remettre immédiatement en route normalement.

Nettoyer le radiateur une fois par année pour enlever la poussière et autres corps étrangers qui se sont accumulés pendant la saison de chauffage. Cette opération est simple lorsqu'elle est effectuée comme suit :

1. Couper l'alimentation électrique du radiateur au niveau de l'interrupteur principal (ou enlever tous les fusibles). CECI EST IMPORTANT.
2. Enlever la grille (Figure 5, page 3) et placer le sectionneur d'alimentation à la position d'arrêt (OFF).

ATTENTION NE PAS utiliser d'eau ou de chiffon humide pour nettoyer, et NE PAS toucher à l'élément chauffant.

3. À l'aide d'un bec suceur d'aspirateur ou d'un chiffon à poussière, enlever la poussière et autres corps étrangers.
4. Après le nettoyage, remettre le sectionneur d'alimentation à la position de marche (ON) et réinstaller la grille.
5. Remettre le courant au niveau de l'interrupteur principal (ou réinstaller les fusibles) pour rétablir l'alimentation électrique vers le radiateur. Le radiateur est maintenant prêt pour une autre saison de fonctionnement.

Commandez les pièces détachées en appelant gratuitement 1 800 323-0620

24 heures par jour – 365 jours par an

S'il vous plaît fournir l'information suivant :

- Numéro de modèle
- Numéro de série (s'il y en a un)
- Description de la pièce et son numéro comme montré sur la liste de pièces

Données de référence

Numéro de catalogue	Volts	Ph.	Watts
2HAD7	120	1	1500
2HAD8	120	1	1800
3UF59D	277	1	3000
3UF60D	208/240	1	3000/4000
3UF61D	240/277	1	3000/4000
3UF62D	208/240	1	3600/4800
3UF63D	240/277	1	3600/4800
3END1	208	1	4000/2000

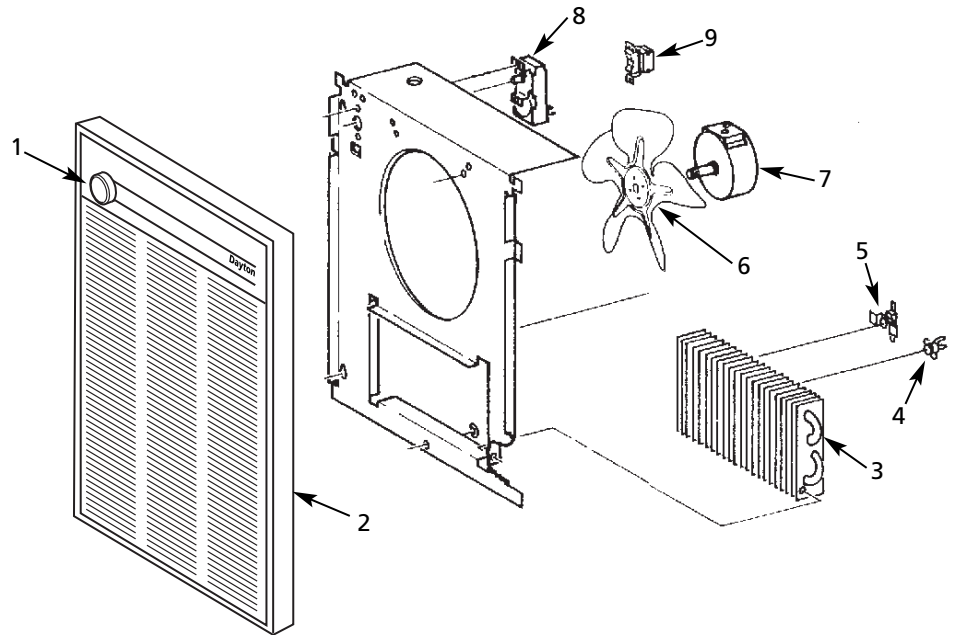


Figure 7 – Illustration des pièces détachées pour radiateurs muraux à air pulsé

Liste des pièces détachées pour radiateurs muraux à air pulsé

N° de réf.	Description	Numéro de pièce pour modèles :				Quantité
		2HAD7	2HAD8	3UF59D	3UF60D	
1	Bouton	3301-2016-001	3301-2016-001	3301-2016-001	3301-2016-001	1
2	Grille	2501-2068-000	2501-2068-000	2501-2068-000	2501-2068-000	1
3	Élément	302012827	302012828	302012806	302012808	1
4	Limite supérieure	—	—	—	—	1
	Limiteur manuel	4520-2027-000	4520-2027-000	4520-2027-000	4520-2027-000	1
5	Temporisation de ventilateur	410074000	410074000	410074000	410074000	1
6	Pale de ventilateur	490030103	490030103	490030103	490030103	1
7	Moteur	3900-2010-003	3900-2010-003	3900-2010-001	3900-2010-000	1
8	Thermostat	5813-2059-000	5813-2059-000	5813-2059-000	5813-2059-000	1
9	Sectionneur	410170001	410170001	410170001	410170001	1

N° de réf.	Description	Numéro de pièce pour modèles :				Quantité
		3UF61D	3UF62D	3UF63D	3END1	
1	Bouton	3301-2016-001	3301-2016-001	3301-2016-001	3301-2016-001	1
2	Grille	2501-2068-000	2501-2068-000	2501-2068-000	2501-2068-000	1
3	Élément	302012809	302012810	302012811	302012807	1
4	Limite supérieure	—	—	—	—	1
	Limiteur manuel	4520-2027-000	4520-2027-000	4520-2027-000	4520-2027-000	1
5	Temporisation de ventilateur	410074000	410074000	410074000	410074000	1
6	Pale de ventilateur	490030103	490030103	490030103	490030103	1
7	Moteur	3900-2010-001	3900-2010-000	3900-2010-001	3900-2010-000	1
8	Thermostat	5813-2059-000	5813-2059-000	5813-2059-000	5813-2059-000	1
9	Sectionneur	410170001	410170001	410170001	10170001	1

FRANÇAIS

Radiateurs muraux à air pulsé de Dayton®

GARANTIE LIMITÉE

GARANTIE LIMITÉE DE UN AN DE DAYTON. LES MODÈLES RADIATEURS MURAUX À AIR PULSÉ DE DAYTON® COUVERTS DANS CE MANUEL SONT GARANTIS À L'UTILISATEUR D'ORIGINE PAR DAYTON ELECTRIC MFG. CO. (DAYTON), CONTRE TOUT DÉFAUT DE FABRICATION OU DE MATÉRIAUX, LORS D'UNE UTILISATION NORMALE, ET CELA PENDANT UN AN APRÈS LA DATE D'ACHAT. TOUTE PIÈCE, DONT LES MATÉRIAUX OU LA MAIN D'OUVRE SERONT JUGÉS DÉFECTUEUX, ET QUI SERA RENVOYÉE PORT PAYÉ, À UN CENTRE DE RÉPARATION AUTORISÉ PAR DAYTON, SERA, À TITRE DE SOLUTION EXCLUSIVE, SOIT RÉPARÉE, SOIT REMPLACÉE PAR DAYTON. POUR LE PROCÉDÉ DE RÉCLAMATION SOUS GARANTIE LIMITÉE, REPORTEZ-VOUS À LA CLAUSE DE « DISPOSITION PROMPTE » CI-DESSOUS. CETTE GARANTIE LIMITÉE DONNE AUX ACHETEURS DES DROITS LÉGAUX SPÉCIFIQUES QUI VARIENT DE JURIDICTION À JURIDICTION.

LIMITES DE RESPONSABILITÉ. LA RESPONSABILITÉ DE DAYTON, DANS LES LIMITES PERMISES PAR LA LOI, POUR LES DOMMAGES INDIRECTS OU FORTUITS EST EXPRESSEMENT DÉNIÉE. DANS TOUS LES CAS LA RESPONSABILITÉ DE DAYTON EST LIMITÉE ET NE DÉPASSERA PAS LA VALEUR DU PRIX D'ACHAT PAYÉ.

DÉSISTEMENT DE GARANTIE. DE DILIGENTS EFFORTS SONT FAITS POUR FOURNIR AVEC PRÉCISION LES INFORMATIONS ET ILLUSTRATIONS DES PRODUITS DÉCRITS DANS CETTE BROCHURE; CEPENDANT, DE TELLES INFORMATIONS ET ILLUSTRATIONS SONT POUR LA SEULE RAISON D'IDENTIFICATION, ET N'EXPRIMENT NI N'IMPLIQUENT QUE LES PRODUITS SONT COMMERCIALISABLES, OU ADAPTABLES À UN BESOIN PARTICULIER, NI QUE CES PRODUITS SONT NÉCESSAIREMENT CONFORMES AUX ILLUSTRATIONS OU DESCRIPTIONS. SAUF POUR CE QUI SUIT, AUCUNE GARANTIE OU AFFIRMATION DE FAIT, ÉNONCÉE OU IMPLICITE, AUTRE QUE CE QUI EST ÉNONCÉ DANS LA « GARANTIE LIMITÉE » CI-DESSUS N'EST FAITE OU AUTORISÉE PAR DAYTON.

Désistement sur les conseils techniques et les recommandations. Peu importe les pratiques ou négociations antérieures ou les usages commerciaux, les ventes n'incluent pas l'offre de conseils techniques ou d'assistance ou encore de conception de système. Dayton n'a aucune obligation ou responsabilité quant aux recommandations non autorisées, aux opinions et aux suggestions relatives au choix, à l'installation ou à l'utilisation des produits.

Conformité du produit. De nombreuses juridictions ont des codes et règlements qui gouvernent les ventes, constructions, installations et/ou utilisations de produits pour certains usages qui peuvent varier par rapport à ceux d'une zone voisine. Bien que Dayton essaie de s'assurer que ses produits s'accordent avec ces codes, Dayton ne peut garantir cet accord, et ne peut être jugée responsable pour la façon dont le produit est installé ou utilisé. Avant l'achat et l'usage d'un produit, revoir les applications de ce produit, ainsi que tous les codes et règlements nationaux et locaux applicables, et s'assurer que le produit, son installation et son usage sont en accord avec eux.

Certains aspects de désistement ne sont pas applicables aux produits pour consommateur; ex : (a) certaines juridictions ne permettent pas l'exclusion ou la limitation des dommages indirects ou fortuits et donc la limitation ou exclusion ci-dessus peut ne pas s'appliquer dans le cas présent; (b) également, certaines juridictions n'autorisent pas de limitations de durée de la garantie implicite, en conséquence, la limitation ci-dessus peut ne pas s'appliquer dans le cas présent; et (c) par force de loi, pendant la période de cette Garantie Limitée, toutes garanties impliquées de commerciabilité ou d'adaptabilité à un besoin particulier applicables aux produits de consommateurs achetés par des consommateurs, peuvent ne pas être exclues ni autrement désistées.

Disposition prompte. Un effort de bonne foi sera fait pour corriger ou ajuster rapidement tout produit prouvé défectueux pendant la période de la garantie limitée. Pour tout produit considéré défectueux pendant la période de garantie limitée, contacter tout d'abord le concessionnaire où l'appareil a été acheté. Le concessionnaire doit donner des instructions supplémentaires. S'il est impossible de résoudre le problème de façon satisfaisante, écrire à Dayton à l'adresse ci-dessous, en indiquant le nom et l'adresse du concessionnaire, la date et le numéro de la facture du concessionnaire, et en décrivant la nature du défaut. Le titre et le risque de perte passent à l'acheteur au moment de la livraison par le transporteur. Si le produit a été endommagé pendant le transport, une réclamation doit être faite auprès du transporteur.

Fabriqué pour Dayton Electric Mfg. Co., 5959 W. Howard St., Niles, Illinois 60714-4014 États-Unis

