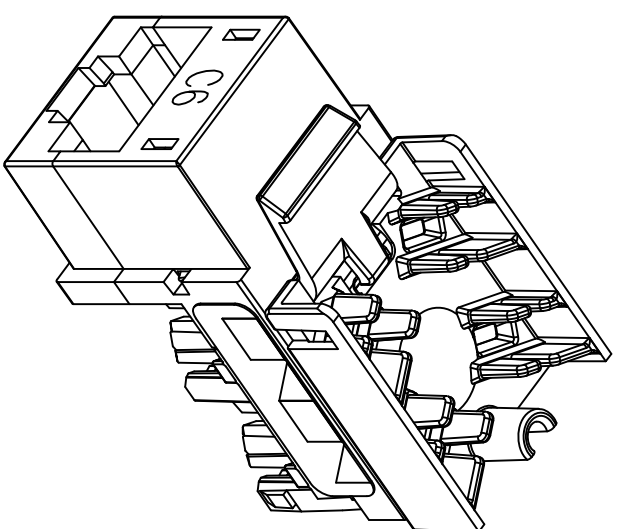
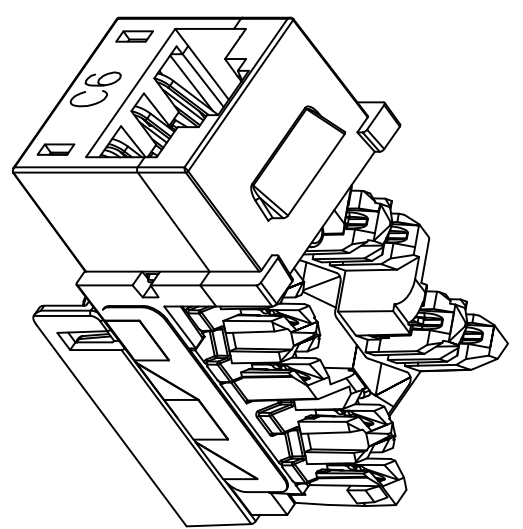
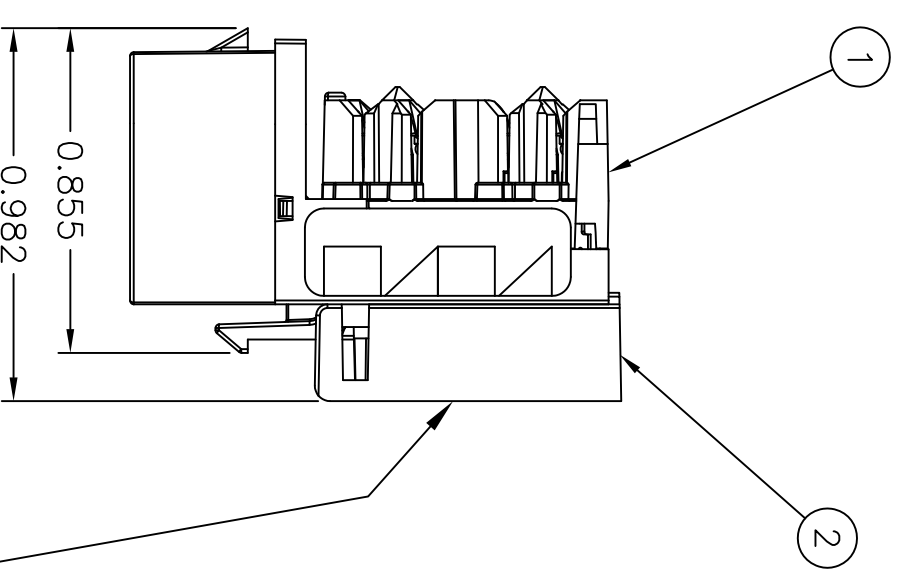
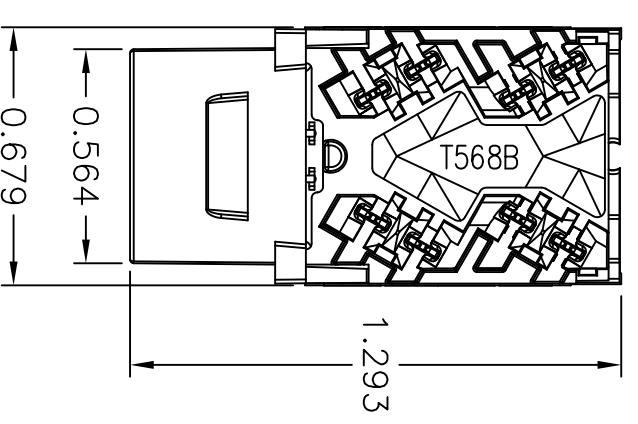


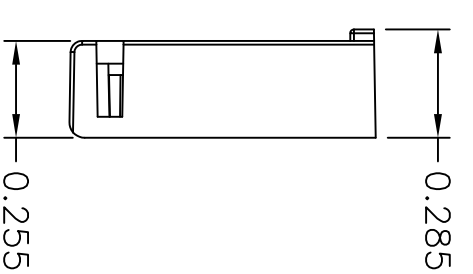
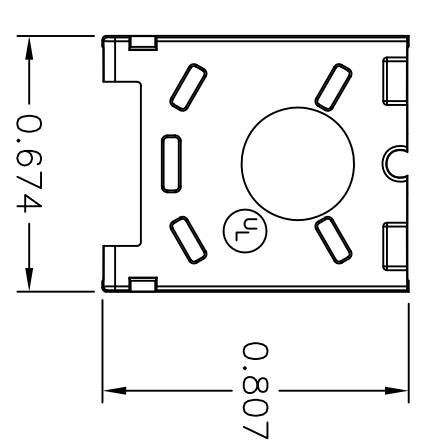
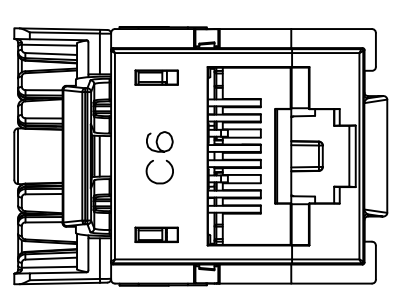
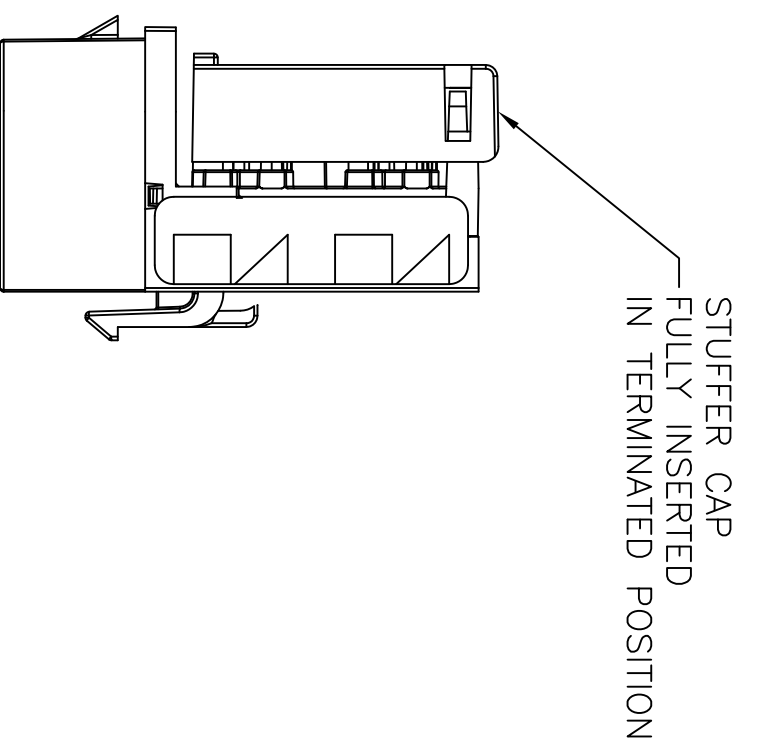
ITEM NO.	DESCRIPTION	QTY.
1	XCELERATOR HXJ6 SERIES JACKS	1
2	STUFFER CAP	1



CATALOG NUMBER	25PK CATALOG NUMBER	CATALOG NUMBER	COLOR	LASER MARKING
HXJ6B25	HXJ6B	HXJ6B	BLUE	X6B
HXJ6BK25	HXJ6BK	HXJ6BK	BLACK	X6BL
HXJ6EI25	HXJ6EI	HXJ6EI	ELECTRIC IVORY	X6EI
HXJ6GN25	HXJ6GN	HXJ6GN	GREEN	X6GN
HXJ6GY25	HXJ6GY	HXJ6GY	GREY	X6GY
HXJ6OW25	HXJ6OW	HXJ6OW	OFFICE WHITE	X6OW
HXJ6R25	HXJ6R	HXJ6R	RED	X6R
HXJ6OR25	HXJ6OR	HXJ6OR	ORANGE	X6OR
HXJ6TI25	HXJ6TI	HXJ6TI	TELCO IVORY	X6TI
HXJ6W25	HXJ6W	HXJ6W	WHITE	X6W
HXJ6Y25	HXJ6Y	HXJ6Y	YELLOW	X6Y
HXJ6AL25	HXJ6AL	HXJ6AL	ALMOND	X6AL
HXJ6LA25	HXJ6LA	HXJ6LA	LIGHT ALMOND	X6OW
HXJ6BN25	HXJ6BN	HXJ6BN	BROWN	X6BN
HXJ6NB25	HXJ6NB	---	NAVY BLUE	X6NB



STUFFER CAP FULLY INSERTED IN PRETERMINATION POSITION



NOTES
UNLESS OTHERWISE SPECIFIED:

1. UL LISTED: E129878
2. CSA CERTIFIED: LR 80837
3. NOSE CONTACTS ARE BERYLLIUM COPPER WITH FCC COMPLIANT PRECIOUS METAL PLATING IN MATING AREA
4. IDC CONTACTS ARE ROHS COMPLIANT TIN PLATED
5. ALL CONTACTS ARE UNDERPLATED IN NICKEL
6. SPECIFICATIONS SUBJECT TO CHANGE WITHOUT NOTICE

REV.	ECN	DATE	DESCRIPTION	CHG BY	APPD BY
G	17931	5/16/12	ADDED NAVY BLUE COLOR	CG	

Created on AUTOCAD

DIMENSIONING AND TOLERANCE PER ANSI Y14.5M-1982
UNLESS OTHERWISE SPECIFIED, DIMENSIONS ARE IN INCHES (MM).
TOLERANCES:
.XX = ±.01 (.25)
.XXX = ±.005 (.127)
.XXXX = ±.0025 (.0635)
ANGLE TOL #.1°

IN ACCEPTING OUR DRAWINGS, BLUEPRINTS, OR SUPPORTING DOCUMENTATION FOR QUOTATION OR OTHER PURPOSES, YOU AGREE NOT TO DISCLOSE TO OTHERS THE IDEAS, INFORMATION, OR DESIGNS SHOWN HEREIN, AND THAT YOU WILL MAKE NO USE OF SAME WITHOUT PERMISSION

PROJECT REFERENCE:
DRAWN BY: P.S.MAGUIRE 03/07/2001
CHECKED BY:
APPROVED BY:

TITLE:
HUBBELL
Hubbell Premise Wiring
HUBBELL INCORPORATED (Delaware)
14 Lord's Hill Road, Storington, Connecticut 06378

XCELERATOR HXJ6 SERIES JACKS

SIZE: C
DRAWING NO.: 11751C
SCALE: 2/1

SHEET 1 OF 1

REV. G