



FEDERAL SIGNAL

Safety and Security Systems / **Industrial**

Models 141ST-120 and 141ST-240 Electraflash® Strobe Warning Lights

for Indoor/Outdoor Use



Installation and Maintenance Instructions

256810G
Rev. G1 1014
Printed in U.S.A.

français.....page 15
español.....página 29



Warranty – Seller warrants all goods for five years on parts and 2-1/2 years on labor, under the following conditions and exceptions: Seller warrants that all goods of Seller's manufacture will conform to any descriptions thereof for specifications which are expressly made a part of this sales contract and at the time of sale by Seller such goods shall be commercially free from defects in material or workmanship. Seller reserves the right at the Seller's discretion to "Repair and Return" or "Replace" any item deemed defective during the warranty period. This warranty does not cover travel expenses, the cost of specialized equipment for gaining access to the product, or labor charges for removal and reinstallation of the product. This warranty shall be ineffective and shall not apply to goods that have been subjected to misuse, neglect, accident, damage, improper maintenance, or to goods altered or repaired by anyone other than Seller or its authorized representative, or if five years have elapsed from the date of shipment of the goods by Seller with the following exceptions: lamps and strobe tubes are not covered under this warranty. Outdoor warning sirens and controllers manufactured by Federal Warning Systems are warranted for two years on parts and one year on labor. No agent, employee, representative or distributor of Seller has any authority to bind the Seller to any representation, affirmation, or warranty concerning the goods and any such representation, affirmation or warranty shall not be deemed to have become a part of the basics of the sales contract and shall be unenforceable. THE FOREGOING WARRANTIES ARE EXCLUSIVE AND IN LIEU OF ALL OTHER WARRANTIES OR MERCHANTABILITY, FITNESS FOR PURPOSE AND OF ANY OTHER TYPE, WHETHER EXPRESS OR IMPLIED. These warranties shall not apply unless Seller shall be given reasonable opportunity to investigate all claims for allegedly defective goods. Upon Seller's instruction a sample only of allegedly defective goods shall be returned to Seller for its inspection and approval. The basis of all claims for alleged defects in the goods not discoverable upon reasonable inspection thereof pursuant to paragraph 8 hereof must be fully explained in writing and received by Seller within thirty days after Buyer learns of the defect or such claim shall be deemed waived.



Industrial Systems

2645 Federal Signal Drive • University Park, IL 60484-3167

Tel: 708-534-4756 • 877-289-3246 • Fax: 708-534-4852

Email: elp@federalsignal.com

www.federalsignal-indust.com

Contents

Safety Messages to Installers and Users	5
Unpacking the Light	6
Mounting the Light	6
Wiring the Light	7
Safety Message to Maintenance Personnel	8
Replacing the Strobe Tube	9
Replacing the Circuit Board	10
Cleaning the Enclosure	11
Ordering Replacement Parts and Accessories	12
Getting Repair Service or Technical Assistance	12
Returning the Product for Credit	12

Figures

Figure 1 Options for mounting the light.....	6
Figure 2 Dome removed from base	10

Tables

Table 1 Replacement Parts.....	12
Table 2 Optional accessories.....	12

Safety Messages to Installers and Users

⚠ WARNING

It is important to follow all instructions shipped with this product. This device is to be installed by a trained electrician who is thoroughly familiar with the National Electrical Code and/or Canadian Electrical Code and will follow the NEC and/or CEC Guidelines as well as all local codes.

This device should be considered a part of the warning system and not the entire warning system.

The selection of the mounting location for the device, its controls and the routing of the wiring are to be accomplished under the direction of the facilities engineer and the safety engineer. In addition, listed below are some other important safety instructions and precautions you should follow:

- Read and understand all instructions before installing or operating this equipment.
- Do not connect this light to the system when power is on.
- Never alter the light in any manner. Safety may be affected if additional openings or alterations are made to the internal components or housing.
- After installation, test the light system to ensure that it is operating properly.
- After testing is complete, provide a copy of these instructions to all personnel.
- Establish a procedure to routinely check the light system for proper activation and operation.
- Not to be used as a visual public mode alarm notification appliance.

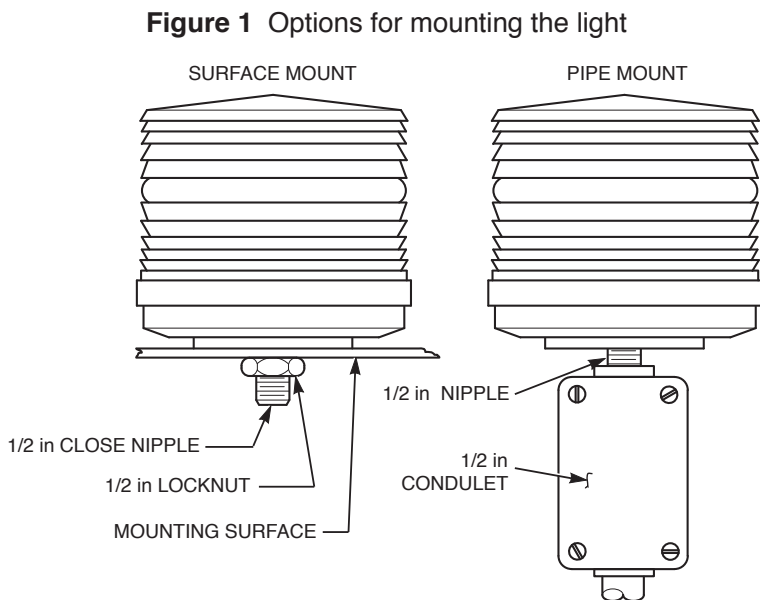
Failure to follow all safety precautions and instructions may result in property damage, serious injury, or death.

Unpacking the Light

After unpacking the light, examine it for damage that may have occurred in transit. If the light has been damaged, do not attempt to install or operate it. File a claim immediately with the carrier, stating the extent of the damage. Carefully check all envelopes, shipping labels, and tags before removing or discarding them. Disposal of all shipping materials must be carried out in accordance with national and local codes and standards. If any parts are missing, please call Federal Signal Customer Support at +1 708-534-4756 or +1 877-289-3246.

Mounting the Light

The 141ST model may be mounted on a flat surface or a half-inch pipe as shown in Figure 1. Optional wall brackets are available for mounting the light on walls or at the corners (see “Ordering Replacement parts and accessories” on page 12).



Underwriters Laboratories has investigated the Model 225 to ensure that it complies with the TYPE 4X (watertight and corrosion resistant) and IP66 (dust-tight and protection against heavy seas) enclosure

requirements. If the light is used outdoors, it **MUST** be mounted with the DOME UP. Mounting hardware and installation details are left to the installer.

Wiring the Light

⚠ WARNING

SHOCK HAZARD: To avoid electrical shock hazards, do not connect or disconnect wires while power is applied.

NOTICE

ELECTROSTATIC DISCHARGE: The circuitry of this warning light can be damaged by electrostatic discharge (ESD). Always follow anti-static procedures while installing this warning light.

Use only 14 AWG to 18 AWG wire for the power connections. Strip no more than 0.25 inch of wire insulation from the ends of the power leads.

To connect power:

1. Remove the two outer dome screws in the base, and remove the dome.

NOTICE

DO NOT TOUCH THE TUBE WITH BARE HANDS: Oil deposits on the glass portion of the strobe tube can cause the glass to fracture during use. If you are unsure if the glass has been handled without gloves, clean the glass using a soft cloth and isopropyl alcohol before installing the tube.

2. The strobe tube is located at inside the bottom of the base to protect it during shipment. Remove the tape and insert the tube into the connectors on the board surface. Make sure all three pins enter the board connectors and apply pressure slowly to the outer leads to properly seat the strobe tube.
3. Connect the AC power leads to the 120 Vac or 240 Vac terminals of the two-position connector by inserting the stripped wire ends into the connector as far as they can travel.

Installation and Maintenance Instructions

4. Make sure the insulation of the supply lead is flush with the connector. If stranded wire is used, be sure that there are no loose strands outside the connector plug that could touch the adjacent lead and cause a short circuit.
5. Tighten the terminal screws to secure the wires in the connector.
6. Place the outer dome back into position and reinstall the two outer dome screws
7. Apply power to verify the light operates properly.

Safety Message to Maintenance Personnel

⚠ WARNING

Listed below are some important safety instructions and precautions you should follow:

- Read and understand all instructions before operating this system.
- Any maintenance to the light system must be done with power turned off.
- Any maintenance to the light system must be performed by a trained electrician who is thoroughly familiar with all applicable national and local codes in the country of use.
- If the dome is damaged in any way, it should be replaced.
- Do not connect this light to the system when power is on.
- Never alter the unit in any manner. Safety may be compromised if additional openings or other alterations are made to the internal components or housing.
- The nameplate should NOT be obscured, as it contains cautionary and/or other information of importance to maintenance personnel. Ensure the nameplate remains readable if the housing exterior is painted.
- After performing any maintenance, test the light system to ensure that it is operating properly.

Failure to follow all safety precautions and instructions may result in property damage, serious injury, or death.

Replacing the Strobe Tube

⚠ WARNING

SHOCK HAZARD: Strobe systems generate high voltages. Disconnect power from the strobe system and wait at least 5 minutes before opening the unit. Do not apply power to the unit while it is open. Failure to follow this warning could result in serious injury or death.

⚠ CAUTION

HANDLE STROBE TUBES CAREFULLY: Strobe tubes get hot enough to burn you. Always allow these tubes to cool before handling them. Strobe tubes are also pressurized and, if broken, can result in flying glass. Failure to follow this warning may result in personal injury.

NOTICE

ELECTROSTATIC DISCHARGE: The circuitry of this warning light can be damaged by electrostatic discharge (ESD). Always follow ant-static procedures while replacing the circuit board.

To replace the strobe tube:

1. Disconnect power from the electrical circuit.
2. Wait at least five minutes before removing the dome.
3. See Figure 2 on page 10. Remove the two outer dome screws in the base assembly, and remove the dome.
4. Carefully remove the burnt-out strobe tube by lifting it from both sides at once.

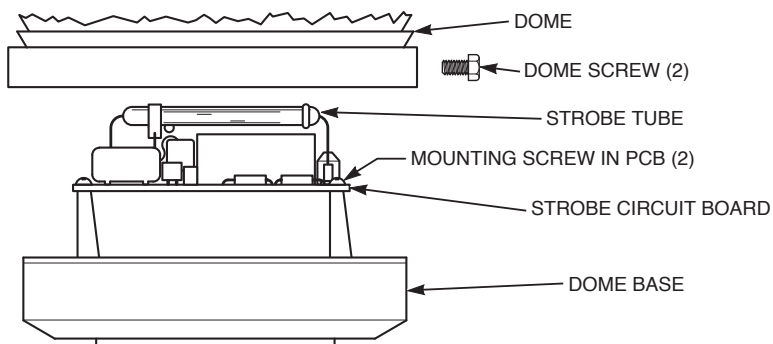
NOTICE

DO NOT TOUCH THE STROBE TUBE WITH BARE HANDS: Oil deposits on the glass portion of the strobe tube can cause the glass to fracture during use. If you are unsure if the glass has been handled without gloves, clean the glass using a soft cloth and isopropyl alcohol before installing the tube.

Installation and Maintenance Instructions

5. Insert the new tube into the connectors on the board surface. Make sure all three pins enter the board connectors and apply pressure slowly to the outer leads to properly seat the strobe tube.
6. Place the outer dome back into position and reinstall the two screws in the outer dome.
7. Apply power and verify that the light operates properly.

Figure 2 Dome removed from base



Replacing the Circuit Board

⚠ WARNING

SHOCK HAZARD: *Strobe systems generate high voltages. Disconnect power from the strobe system and wait at least 5 minutes before opening the light. Do not apply power to the light while it is open. Failure to follow this warning could result in serious injury or death.*

NOTICE

ELECTROSTATIC DISCHARGE: *The circuitry of this warning light can be damaged by electrostatic discharge (ESD). Always follow ant-static procedures while replacing the circuit board.*

1. **Remove the circuit board:**
 - a. Disconnect power from the electrical circuit.
 - b. Wait at least five minutes before removing the dome.

- c. See Figure 2. Remove the two outer dome screws in the base assembly and remove the dome.
- d. Disconnect power from the board connector.
- e. Remove the two mounting screws positioned at the outer corners of the circuit board.
- f. Remove the circuit board.

2. Install the new circuit board:

NOTICE

CIRCUIT BOARD DAMAGE: Do not overtighten the mounting screws. Damage to the printed circuit board will result.

- a. Place the new circuit board on top of the posts, and reinstall the mounting screws.
- b. Connect the AC power leads to the 120 Vac or 240 Vac terminals of the two-position connector by inserting the stripped wire ends into the connector as far as they can travel.
- c. Make sure the insulation of the supply lead is flush with the connector. If stranded wire is used, be sure that there are no loose strands outside the connector plug that could touch the adjacent lead and cause a short circuit.
- d. Tighten the terminal screws to secure the wires in the connector.
- e. Place the outer dome back into position, and reinstall the two outer dome screws.
- f. Apply power and verify that the light operates properly.

Cleaning the Enclosure

The enclosure should be cleaned periodically to maintain maximum light output. Use only mild, non-abrasive cleaning agents. The dome should be regularly inspected for scratches and chips, and if damaged, it should be replaced.

Ordering Replacement Parts and Accessories

To order accessories and replacement parts, call Federal Signal Customer Support at 708-534-4756 or 877-289-3246.

Table 1 Replacement Parts

Description	Part Number
Dome, Amber	K8263079
Dome, Blue	K8263079-01
Dome, Red	K8263079-02
Dome, Green	K8263079-03
Strobe Tube	K149128
PCBA, 120 V	K2001195
PCBA, 240 V	K2001195-01

Table 2 Optional accessories

Description	Part Number
Corner Bracket	LCMB2
Wall Bracket	LWMB2

Getting Repair Service or Technical Assistance

Products returned for repair require a Return Authorization form from your local distributor or from Federal Signal. For repair service or technical assistance from Federal Signal, call 708-534-4756 or 877-289-3246.

For instruction manuals and information on related products, visit: www.federsignal-indust.com.

Returning the Product for Credit

Product returns for credit require a return authorization from your local distributor prior to returning the product to Federal Signal. Please contact your distributor for assistance.

A product is qualified to be returned for credit when the following conditions are met:

- Product is resalable and in the original cartons

- Product has not been previously installed
- Product is the current revision
- Product has not been previously repaired
- Product is a standard product
- Product is not a service part

All returns are subject to a re-stock fee.

Defective products that are returned within the warranty period will be repaired or replaced at Federal Signal's sole discretion. Defective products do not include those products with lamp failure.

Circumstances other than those listed above will be addressed on a case-by-case basis.



FEDERAL SIGNAL

Safety and Security Systems / **Industrial**

Industrial Systems

2645 Federal Signal Drive • University Park, IL 60484-3167

Tel: 708-534-4756 • 877-289-3246 • Fax: 708-534-4852

Email: elp@federal-signal.com

www.federal-signal-indust.com



FEDERAL SIGNAL

Safety and Security Systems / **Industrial**

Lumineux stroboscopique Electraflash^{MR} 141ST-120 et 141ST-240 pour usage intérieure et extérieure



Instructions d'installation et d'entretien

256810A
Rev. A1 1014
Imprimé aux États-Unis



Garantie – Le vendeur offre pour tous les produits une garantie de cinq ans sur les pièces et de 2,5 ans sur la main-d'œuvre, selon les conditions et exceptions suivantes : le vendeur garantit que tous les produits qu'il fabrique seront conformes aux descriptions correspondant aux spécifications qui font expressément partie de ce contrat de vente et qu'au moment de la vente par le vendeur, de tels produits devront être exempts de défauts de matériel et de fabrication. Le vendeur se réserve le droit, à sa discrétion, de « Réparer et retourner » ou « Remplacer » tout article jugé défectueux durant la période de garantie. Cette garantie ne couvre pas les frais de voyage, le coût de l'équipement spécialisé pour avoir accès au produit ou les frais de main-d'œuvre liés à l'enlèvement et à la réinstallation du produit. Cette garantie sera inopérante et ne s'appliquera pas aux produits qui ont subi un mauvais usage, une négligence, un accident, des dommages ou un entretien inapproprié, ou aux produits modifiés ou réparés par quelqu'un d'autre que le vendeur ou son représentant autorisé, ou si cinq ans se sont écoulés depuis la date de l'envoi des produits par le vendeur avec les exceptions suivantes : les lampes et les tubes stroboscopiques ne sont pas couverts par cette garantie. Les sirènes d'alarme extérieures et les appareils de contrôle fabriqués par Federal Warning Systems sont couverts par une garantie deux ans sur les pièces et de un an sur la main-d'œuvre. Aucun agent, employé, représentant ou distributeur du vendeur n'a autorisé pour lier celui-ci à une représentation, affirmation, ou garantie relative au produit et une telle représentation, affirmation, ou garantie ne pourra pas être considérée comme faisant partie des généralités du contrat de vente et sera inexécutable. LES GARANTIES CI-DESSUS SONT EXCLUSIVES ET TIENNENT LIEU DE TOUTES LES AUTRES GARANTIES DE LA QUALITÉ MARCHANDE, DE COMPATIBILITÉ À UN USAGE PARTICULIER OU D'UN AUTRE TYPE, QU'ELLES SOIENT EXPRESSES OU IMPLICITES. Ces garanties ne s'appliqueront pas si le vendeur n'a pas la possibilité raisonnable d'enquêter sur toutes les réclamations de produits soi-disant défectueux. À la demande du vendeur, un échantillon seulement des produits soi-disant défectueux lui sera retourné pour inspection et approbation. La raison de toute réclamation pour de soi-disant défauts dans les produits ne pouvant être découverts après une inspection raisonnable en vertu du paragraphe 8 ci-contre doit être entièrement expliquée par écrit et reçue par le vendeur dans les trente jours après que l'acheteur ait pris connaissance du défaut ou une telle réclamation sera considérée comme nulle.



Industrial Systems

2645 Federal Signal Drive • University Park, IL 60484-3167
Tel: 1-708-534-4756 • 1-877-289-3246 • Fax: 1-708-534-4852
www.federal-signal-indust.com

Tableau des contenus

Messages de sécurité destinés aux installateurs et utilisateurs.....	19
Déballage de la lumière.....	20
Montage de la lumière.....	20
Câblage de la lumière.....	21
Messages de sécurité destinés au personnel d'entretien	22
Remplacement du tube stroboscopique	23
Remplacement de la circuit imprimé.....	25
Nettoyage de l'appareil	26
Commande de pièces de rechange et accessoires.....	26
Service de réparation ou assistance technique	27
Renvoi du produit pour obtention d'un crédit.....	27

Illustrations

Illustration 1 Options pour le montage de la lumière	20
Illustration 2 Dôme retirée de base.....	24

Tableaux

Tableau 1 Accessoires en option	26
Tableau 2 Pièces de rechange	27

Messages de sécurité destinés aux installateurs et utilisateurs

▲AVERTISSEMENT

Bien suivre toutes les instructions fournies avec ce produit. Cet appareil doit être installé par un électricien qualifié qui connaît parfaitement le Code national de l'électricité et/ou le Code canadien de l'électricité, et suivra les directives du CNE et/ou du CCE, ainsi que des codes locaux.

Cet appareil doit être considéré comme faisant partie du système d'avertissement et non comme le système lui-même.

Le choix du lieu d'installation, les commandes et le passage des câbles doivent s'effectuer sous la direction de l'ingénieur des installations et de l'ingénieur de la sécurité. De plus, d'autres précautions et instructions importantes relatives à la sécurité et à observer figurent dans la liste ci-dessous :

- Bien lire et comprendre toutes les instructions avant d'installer ou d'utiliser cet équipement.
- Ne pas connecter ce dispositif au système lorsque ce dernier est sous tension.
- Ne jamais modifier cette lumière d'aucune façon. La sécurité pourrait être compromise par des ouvertures supplémentaires ou des modifications faites à cette lumière.
- Après l'installation, tester le système lumineux pour s'assurer de son bon fonctionnement.
- Une fois le test effectué, distribuer une copie de ces instructions à tous les membres du personnel.
- Établir une procédure de vérification régulière de l'activation et du bon fonctionnement du système lumineux.
- Ne pas utiliser comme appareil de signal d'alarme mode public visuel.

Instructions d'installation et d'entretien

Le non-respect de toutes les précautions et instructions de sécurité peut provoquer des dommages à la propriété, des blessures graves voire la mort.

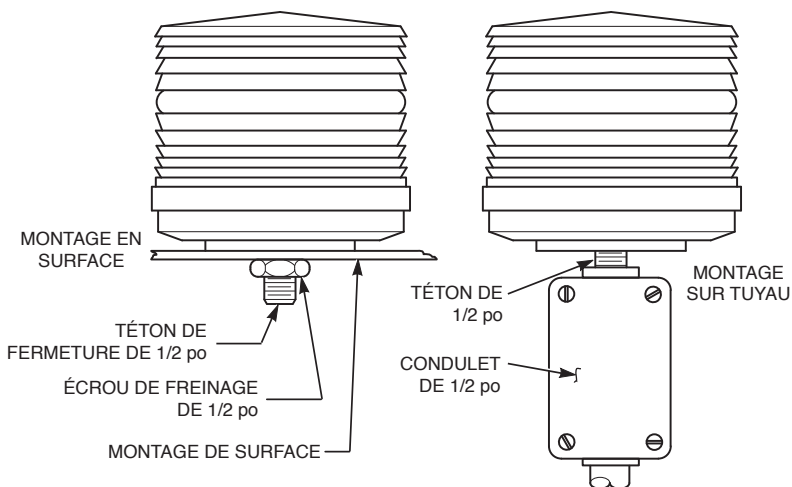
Déballage de la lumière

Après avoir déballé la lumière, l'inspecter pour vérifier qu'aucun dommage n'est survenu lors du transport. Si la lumière a été endommagée, ne pas essayer de l'installer ou de l'utiliser. Déposer immédiatement une réclamation auprès du transporteur en précisant l'étendue des dégâts. Vérifier avec soin toutes les enveloppes, étiquettes d'expédition et autres étiquettes avant de les retirer ou de les détruire. La mise au rébus de tout matériel de transport doit être effectuée conformément aux normes et codes locaux et nationaux. En cas de pièces manquantes, communiquer avec le Service à la clientèle de Federal Signal au +1 708-534-4756 ou au +1 877-298-324.

Montage de la lumière

Le Modèle 141ST peut être monté sur une surface plane ou un tube de 1/2 po comme illustré sur l'illustration 1. Supports muraux sont disponibles en option pour le montage sur les murs ou la lumière dans les coins (voir « Commande de pièces de rechange et accessoires » à la page 26.)

Illustration 1 Options pour le montage de la lumière



Cette lumière est classée UL pour utilisation à l'intérieur ou à l'extérieur. Si la lampe est utilisée à l'extérieur, elle DOIT être montée avec le DÔME DIRIGÉ VERS LE HAUT. L'éclairage a été enquêté par UL comme satisfaisant les exigences d'enceintes de Type 3R (à l'épreuve de la pluie). Les détails de montage de matériel et de l'installation sont sous la responsabilité de l'installateur.

Câblage de la lumière

⚠ AVERTISSEMENT

RISQUE DE DÉCHARGE ÉLECTRIQUE : *Pour éviter les décharges électriques, ne pas brancher ou débrancher les fils lorsque l'appareil est sous tension.*

AVIS

DÉCHARGE ÉLECTROSTATIQUE : *Les circuits de cette lumière d'avertissement peuvent être endommagé par une décharge électrostatique (DES). Suivez toujours les procédures anti-statiques tout en remplaçant la carte de circuit imprimé.*

N'utilisez que du fil de 14 à 18 AWG pour les connexions d'alimentation. Ne dénudez pas plus de 6,35 mm (1/4 po) d'isolation du fil aux deux bouts des câbles d'alimentation.

Pour connecter l'alimentation :

1. Retirez les deux vis du dôme extérieur dans la base et retirez le dôme, et retirez le dôme.

AVIS

NE PAS TOUCHER LA LAMPE À MAINS NUES : *Des dépôts d'huile sur la portion en verre de la lampe stroboscopique peut causer une fêlure de la lampe lors de son utilisation. En cas de doute quant à la manipulation du verre avec ou sans gants, nettoyer le verre à l'aide d'un chiffon doux et de l'alcool isopropylique avant de procéder à l'installation de la lampe.*

2. Le tube stroboscopique est situé à l'intérieur du bas de la base pour le protéger pendant le transport. Retirez la bande et insérez le tube dans les connecteurs sur la surface de la carte. Assurez-vous que les trois broches entrent dans les connecteurs de la carte

et pressez lentement sur les câbles extérieurs lorsqu'on insère le tube.

3. Connectez les câbles d'alimentation de courant alternatif aux bornes 120 VCA ou 240 VCA du connecteur à deux positions en insérant les extrémités de fils dénudées dans le connecteur aussi loin que possible.
4. Assurez-vous que l'isolation du câble d'alimentation est à ras avec le connecteur. Si du fil torsadé est utilisé, assurez-vous qu'il n'y a pas de fil libre en dehors de la prise du connecteur qui puisse toucher les câbles adjacents et causer un court-circuit.
5. Serrez les vis de borne pour fixer les fils dans le connecteur.
6. Remettez en place le dôme extérieur et réinstallez les deux vis de dôme extérieur.
7. Connecter l'alimentation à la lampe afin de vérifier que la lumière fonctionne correctement.

Messages de sécurité destinés au personnel d'entretien

⚠ AVERTISSEMENT

Les précautions et instructions de sécurité à suivre sont listées ci-dessous :

- Bien lire et comprendre toutes les instructions avant d'utiliser ce système.
- L'entretien du système lumineux doit s'effectuer lorsque l'alimentation est coupée.
- L'entretien doit être exécuté par un électricien formé qui connaît bien les codes nationaux et locaux du pays d'utilisation.
- Si le dôme est endommagé de quelque façon, elle devrait être remplacée.
- Ne pas connecter cette lumière au système lorsque ce dernier est sous tension.

- Ne jamais modifier cet appareil de quelque façon que ce soit. La sûreté peut être compromise si des composants internes ou le boîtier sont percés ou modifiés.
- La plaque signalétique NE DOIT PAS être masquée, car elle comporte des avertissements et d'autres données importantes pour le personnel d'entretien. Si le boîtier extérieur est peint, veiller à ce que la plaque signalétique reste lisible.
- Après avoir effectué l'entretien, tester le système lumineux pour s'assurer du bon fonctionnement de la lumière.

Le non-respect de toutes les précautions et instructions de sécurité peut provoquer des dommages à la propriété, des blessures graves voire la mort.

Remplacement du tube stroboscopique

⚠ AVERTISSEMENT

RISQUE DE CHOC ÉLECTRIQUE : Le stroboscope et le système de lumière DHI génère des tensions élevées. Débrancher l'alimentation et attendre 5 minutes avant d'ouvrir l'unité. Le non-respect de cette mise en garde peut provoquer des blessures graves ou la mort.

⚠ ATTENTION

MANIPULER LES LAMPES STROBOSCOPIQUES AVEC SOIN : Les lampes stroboscopiques deviennent assez chauds pour vous brûler. Le toujours laisser ces lampes refroidir avant de les manipuler. Les lampes stroboscopiques sont également pressurisées et, en cas de bris, des éclats de verre peuvent être projetés. Le non-respect de cette mise en garde peut provoquer des blessures.

AVIS

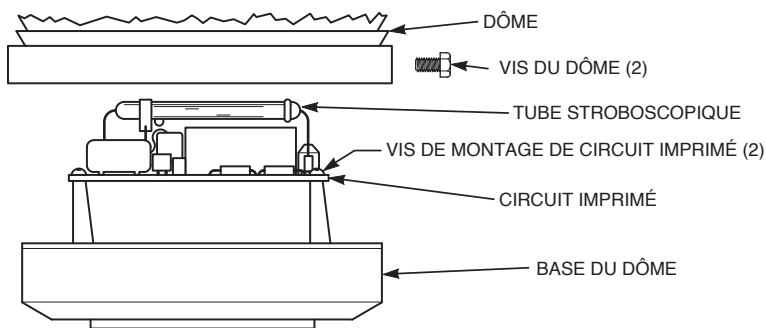
DÉCHARGE ÉLECTROSTATIQUE : Les circuits de cette lumière d'avertissement peuvent être endommagé par une décharge électrostatique (DES). Suivez toujours les procédures anti-statiques tout en remplaçant la carte de circuit imprimé.

Instructions d'installation et d'entretien

Pour remplacer le tube stroboscopique :

1. Déconnectez l'alimentation du circuit électrique.
2. Attendez au moins 5 minutes avant de retirer le dôme.
3. Voir la figure 2. Retirez les deux vis extérieures du dôme dans l'ensemble de base et retirez le dôme.
4. Retirez soigneusement le tube claqué ; le mieux est de lever les deux côtés en même temps.

Illustration 2 Dôme retirée de base



AVIS

NE PAS TOUCHER LA LAMPE À MAINS NUES : Des dépôts d'huile sur la portion en verre de la lampe stroboscopique peut causer une fêlure de la lampe lors de son utilisation. En cas de doute quant à la manipulation du verre avec ou sans gants, nettoyer le verre à l'aide d'un chiffon doux et de l'alcool isopropylique avant de procéder à l'installation de la lampe.

5. Mettez en place le nouveau tube en s'assurant que les trois broches entrent dans les connecteurs de la carte. Appliquez une pression lentement sur les câbles extérieurs lorsqu'on insère un nouveau tube.
6. Remettez en place le dôme extérieur, réinstallez les deux vis extérieures du dôme.

7. Connecter l'alimentation à la lumière afin de vérifier que la lumière fonctionne correctement.

Remplacement de la circuit imprimé

⚠️ AVERTISSEMENT

RISQUE DE CHOC : Le stroboscope et le système de lumière DHI génère des tensions élevées. Débrancher l'alimentation et attendre au moins 5 minutes avant d'ouvrir l'unité. Le non-respect de cette mise en garde peut provoquer des blessures graves ou la mort.

AVIS

DÉCHARGE ÉLECTROSTATIQUE : Les circuits de cette lumière d'avertissement peuvent être endommagé par une décharge électrostatique (DES). Suivez toujours les procédures anti-statiques tout en remplaçant la carte de circuit imprimé.

1. Retirez le circuit imprimé :

- a. Déconnectez l'alimentation du circuit électrique.
- b. Attendez au moins 5 minutes avant de retirer le dôme.
- c. Voir la figure 2. Retirez les deux vis extérieures du dôme dans l'ensemble de base et retirez le dôme
- d. Déconnectez l'alimentation du connecteur de carte.
- e. Retirez les deux vis de montage de le circuit imprimé positionnées aux angles extérieurs de la carte à circuit.
- f. Retirez le circuit imprimé.

1. Installer la nouvelle circuit imprimé :

AVIS

RISQUE DE DOMMAGES SUR LE CIRCUIT IMPRIMÉ : Ne pas trop serrer les vis de montage. La carte à circuit imprimé pourrait en être endommagée.

- a. Placez le nouveau circuit imprimé sur les colonnes et réinstallez les vis de montage.

- b. Connectez les câbles d'alimentation CA aux bornes 120 VCA ou 240 VCA du connecteur à deux positions en insérant les extrémités dénudées du fil dans le connecteur aussi loin que possible.
- c. Assurez-vous que l'isolation du câble d'alimentation est à ras du connecteur. Si du fil torsadé est utilisé, assurez-vous qu'il n'y a pas de fil libre en dehors de la prise de connecteur qui pourrait toucher le câble adjacent et causer un court-circuit.
- d. Serrer les vis de borne pour fixer les fils dans le connecteur.
- e. Remettez en place le dôme extérieur et réinstallez les deux vis de dôme extérieur
- f. Connecter l'alimentation à la lumière afin de vérifier que la lumière fonctionne correctement.

Nettoyage de l'appareil

Pour conserver une émission lumineuse maximale, il faut nettoyer l'appareil périodiquement. Utiliser uniquement des agents nettoyants non-abrasifs et doux. Il faut inspecter régulièrement le dôme de verre à la recherche d'éraflures et d'éclats. S'il est abîmé, il devrait être remplacé.

Commande de pièces de rechange et accessoires

Pour commander des pièces de rechange ou accessoires, communiquer avec le Service à la clientèle de Federal Signal au 708-534-4756 ou au 877-289-3246.

Tableau 1 Accessoires en option

Description	N° de pièce
Support de fixation, coin	LCMB2
Support de fixation, mur	LWMB2

Tableau 2 Pièces de rechange

Description	N° de pièce
Dôme, ambre	K8263079
Dôme, bleu	K8263079-01
Dôme, rouge	K8263079-02
Dôme, vert	K8263079-03
Tube stroboscopique	K149128
Circuit imprimé, 120 V CA	K2001195
Circuit imprimé, 240 V CA	K2001195-01

Service de réparation ou assistance technique

Les produits renvoyés pour réparation doivent être accompagnés d'un formulaire d'autorisation de renvoi par le distributeur local ou par Federal Signal. Pour l'entretien du produit ou assistance technique par Federal Signal, communiquer avec nous au 708-534-4858 ou 877-289-3246.

Pour les manuels d'instructions et d'informations sur les produits connexes, aller à : www.federal-signal-indust.com.

Renvoi du produit pour obtention d'un crédit

Les produits renvoyés doivent être accompagnés d'une autorisation de renvoi accordée par le distributeur local avant l'envoi chez Federal Signal. Communiquer avec le distributeur pour obtenir de l'aide.

Un produit peut être renvoyé avec obtention d'un crédit si les conditions suivantes sont remplies :

- Le produit est revendable puis est renvoyé dans son emballage d'origine
- Le produit n'a pas encore été installé
- Le produit est le modèle le plus récent
- Le produit n'a jamais été réparé
- Le produit est un produit standard

Instructions d'installation et d'entretien

- Le produit n'est pas une pièce détachée

Tous les renvois de produits font l'objet de frais de restockage.

Les produits défectueux renvoyés au cours de la période de garantie seront réparés ou remplacés à la seule discrétion de Federal Signal. Les produits dont la lampe est défectueuse ne sont pas considérés comme des produits défectueux.

Toute demande autre que celles citées ci-dessus sera examinée au cas par cas.



FEDERAL SIGNAL

Safety and Security Systems / **Industrial**

Industrial Systems

2645 Federal Signal Drive • University Park, IL 60484-3167

Tel: +1 708-534-4756 • +1 877 289 3246 • Fax: 708-534-4852

Email: elp@federalsignal.com

www.federalsignal-indust.com



FEDERAL SIGNAL

Safety and Security Systems / **Industrial**

**Luces estroboscópicas advertencia
Electraflash_{MIR}, 141ST-120 y 141ST-240
para uso en interiores y al aire libre**



***Instrucciones de instalación
y mantenimiento***

256810G

Rev. G1 1014

Impreso en los EE. UU.



Garantía: El vendedor garantiza todos los productos por cinco años para las piezas y por 2-1/2 años para la mano de obra, bajo las siguientes condiciones y excepciones: El Vendedor garantiza que todos los productos fabricados por el Vendedor se ajustarán a las descripciones de los mismos para especificaciones que expresamente forman parte de este contrato de venta y en el momento de la venta por parte del Vendedor tales productos estarán comercialmente libres de defectos en material o mano de obra. El Vendedor se reserva el derecho, a criterio del Vendedor, de “Reparar y devolver” o “Reemplazar” cualquier elemento considerado defectuoso durante el período de garantía. Esta garantía no cubre gastos de viaje, el costo de equipos especializados para obtener acceso al producto ni los cargos de mano de obra por la extracción y la nueva instalación del producto. Esta garantía no tendrá validez y no será de aplicación a productos que hayan sido sometidos a uso incorrecto, descuido, accidente, daño, mantenimiento incorrecto o productos alterados o reparados por otra persona que no sea el Vendedor o su representante autorizado, o si han transcurrido cinco años desde la fecha de envío del producto por parte del Vendedor, con las excepciones siguientes: las lámparas y los tubos estroboscópicos no están cubiertos por esta garantía. Las sirenas de advertencia y los controladores externos fabricados por Federal Warning Systems cuentan con garantía de dos años sobre las piezas y de un año sobre la mano de obra. Ningún agente, empleado, representante o distribuidor del Vendedor tiene autorización de obligar al Vendedor frente a ninguna declaración, afirmación o garantía relacionada con los productos y tal declaración, afirmación o garantía no se considerará parte de los elementos básicos del contrato de venta y no será exigible. LAS GARANTÍAS ANTERIORES SON EXCLUSIVAS Y REEMPLAZAN TODA OTRA GARANTÍA DE COMERCIABILIDAD, DE IDONEIDAD PARA UN PROPÓSITO Y DE CUALQUIER TIPO, YA SEA EXPRESA O IMPLÍCITA. Estas garantías no serán de aplicación a menos que el Vendedor reciba una oportunidad razonable de investigar todos los reclamos por mercaderías supuestamente defectuosas. Ante la indicación del Vendedor, se devolverá una sola muestra de los productos defectuosos al Vendedor para su inspección y aprobación. La base de todos los reclamos por supuestos defectos en los productos que no se descubra ante la inspección razonable de los mismos en virtud del párrafo 8 del presente debe explicarse totalmente por escrito y debe ser recibida por el Vendedor dentro de los treinta días posteriores a que el Comprador tiene conocimiento del defecto o tal reclamo se considerará caducado.



Industrial Systems

2645 Federal Signal Drive • University Park, IL 60484-3167

Tel: 708-534-4756 • 877-289-3246 • Fax: 708-534-4852

Email: elp@federalsignal.com

www.federalsignal-indust.com

Tabla de Contenido

Mensajes de seguridad para los instaladores y usuarios	33
Desembalaje de la luz	34
Montaje de la luz.....	34
Cableado de la luz	35
Mensaje de seguridad para el personal de mantenimiento.....	36
Sustitución del tubo de luz estroboscópica	37
Sustitución del circuito impreso.....	39
Limpieza del gabinete	40
Pedidos de piezas de repuesto y accesorios	40
Servicio de reparación y asistencia técnica	41
Cómo devolver el producto para obtener crédito	41

Figuras

Figura 1 Opciones para el montaje de la luz	34
Figura 2 Domo extraído desde la base.....	38

Tablas

Tabla 1 Accesorios opcionales.....	40
Tabla 2 Piezas de repuesto.....	41

Mensajes de seguridad para los instaladores y usuarios

ADVERTENCIA

Es importante seguir todas las instrucciones enviadas con este producto. Este dispositivo debe ser instalado por un técnico electricista que conozca en detalle el Código Eléctrico Nacional (NEC, por su sigla en inglés) o el Código Eléctrico Canadiense (CEC, por su sigla en inglés) y que siga los lineamientos del NEC o del CEC y todos los códigos locales.

Este dispositivo debe considerarse parte del sistema de advertencia y no el sistema de advertencia completo.

La selección del lugar de montaje del dispositivo, sus controles y la colocación del cableado deben realizarse bajo la dirección del ingeniero de la planta y del ingeniero de seguridad. Asimismo, a continuación se incluyen algunas instrucciones y precauciones importantes de seguridad que debe seguir:

- Lea y comprenda todas las instrucciones antes de instalar y poner en funcionamiento este equipo.
- No conecte esta luz al sistema cuando esté encendido.
- Nunca modifique la unidad de ninguna manera. La seguridad puede verse comprometida si se realizan aberturas adicionales u otras modificaciones a los componentes internos o la carcasa.
- Después de la instalación, pruebe el sistema de luces para garantizar que funcione correctamente.
- Una vez que haya finalizado la prueba, entregue una copia de estas instrucciones a todo el personal.
- Establezca un procedimiento para verificar periódicamente si el sistema de luces se activó y si funciona como es debido.
- No debe usarse como aparato de notificación de alarma visual en modo.

Instrucciones de instalación y mantenimiento

Si no se siguen todas estas precauciones e instrucciones de seguridad, pueden producirse daños materiales, lesiones graves o incluso la muerte.

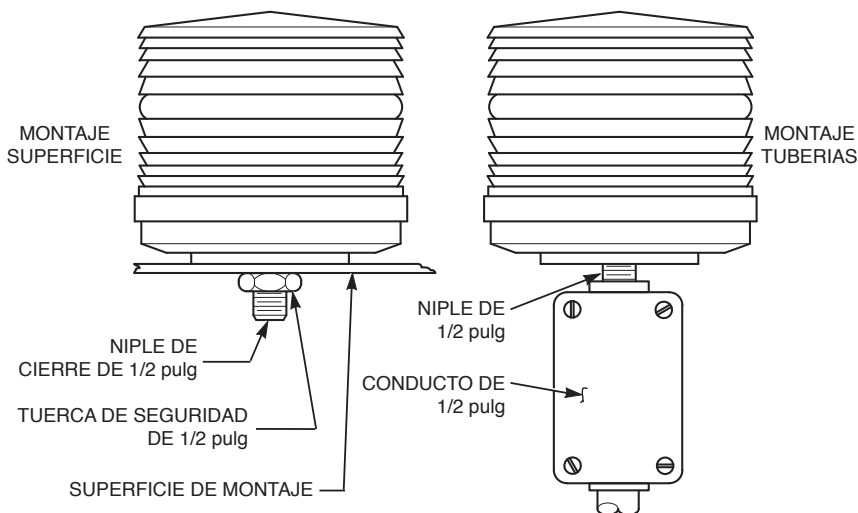
Desembalaje de la luz

Después de desembalar la luz, examínela para detectar daños que puedan haberse producido durante el tránsito. Si la luz se ha dañado, no intente instalarla ni ponerla en funcionamiento. Presente un reclamo de inmediato al transportista que indique el alcance de los daños. Con cuidado, inspeccione todos los sobres, las etiquetas de envío y los rótulos antes de retirarlos o descartarlos. El desecho de todos los materiales de envío debe realizarse de acuerdo con los códigos y las normas nacionales y locales. Si falta alguna pieza, comuníquese con el Servicio de Asistencia al Cliente de Federal Signal llamando al +1 708-534-4756 o +1 877-289-3246.

Montaje de la luz

El modelo 141ST puede ser montado en una superficie plana o una tubería de 1/2 pulgada como se muestra en la figura 1. Soportes de pared opcionales están disponibles para el montaje de la luz en paredes o en las esquinas (ver “Pedir reemplazo de piezas y accesorios” en la página 41).

Figura 1 Opciones para el montaje de la luz



Esta luz fue registrada por UL para uso en el interior o el exterior. Si la luz se usa en el exterior, debe ser montada con el DOMO HACIA ARRIBA (DOME UP). La luz ha sido investigada por UL y coincide con los requisitos del tipo 3R (a prueba de lluvia). Los accesorios de montaje y detalles de instalación se dejan a juicio de la persona que realiza la instalación.

Cableado de la luz

⚠ ADVERTENCIA

RIESGO DE DESCARGA ELÉCTRICA: *Para evitar riesgos de descarga eléctrica, no conecte o desconecte los cables mientras se recibe corriente.*

AVISO

DESCARGA ELECTROSTÁTICA: *La circuitería de esta luz de aviso puede ser dañado por una descarga electrostática (DES). Siempre siga los procedimientos hormigas estática mientras que la sustitución de la placa de circuito.*

Use cable de calibre 14 a 18 AWG sólo, para la conexión a la fuente de alimentación. No saca más que 0,25 pulgada del aislamiento de los extremos de los cables eléctricos.

Para conectar la fuente de alimentación:

1. Saca los dos tornillos localizados a la base del domo exterior, y saca el domo.

AVISO

NO TOQUE LA LÁMPARA CON LAS MANOS DESNUDAS: *Depósitos de petróleo en la parte de vidrio de la lámpara estroboscópica pueden causar el vidrio a la fractura durante el uso. Si no está seguro si el vidrio se ha manejado sin guantes, limpie el vidrio con un paño suave y alcohol isopropílico antes de instalar la lámpara.*

2. El tubo estroboscópico está localizado en el interior de la parte inferior de la base para protegerlo durante el embarque. Saca la cinta e inserte el tubo en los conectores de la tarjeta. Asegúrese que las tres clavijas entran en los conectores de la tarjeta y lentamente

aplique presión a los conductores externos del tubo.

3. Conecte los cables de alimentación de CA a las terminales de 120 VCA o 240 VCA, con conectores de dos posiciones, por el meter de los extremos del cable pelado, en el conector, tan lejos como sea posible.
4. Asegúrese que el aislamiento de los cables de alimentación están al ras con el conector. Si se utiliza cable torcido asegúrese que ninguno de las hebras están sueltos afuera del conector, de tal manera que pudiera tocar la hebre contigua y ocasionar un cortocircuito.
5. Apriete los tornillos de las terminales para hacer seguros los cables en el conector.
6. Instale el domo exterior en su lugar instale los dos tornillos en el exterior del domo
7. Conecte la alimentación a la luz y comprobar que funciona correctamente.

Mensaje de seguridad para el personal de mantenimiento



A continuación se enumeran algunas instrucciones y precauciones de seguridad importantes que debe seguir:

- Lea y comprenda todas las instrucciones antes de operar este sistema.
- Cualquier mantenimiento del sistema de luz debe hacerse con la alimentación desconectada.
- Cualquier mantenimiento del sistema de luz debe hacerlo un electricista capacitado que está completamente familiarizado con todos los códigos nacionales y locales aplicables en el país de uso.
- Si el domo está dañada de alguna manera, debe ser sustituido.
- No conecte esta luz al sistema cuando está encendido.

- Nunca modifique la unidad de ninguna manera. Se puede afectar la seguridad de la unidad si se realizan aberturas adicionales u otras modificaciones a los componentes internos o la carcasa.
- La placa de identificación NO debe ocultarse, ya que contiene información preventiva y/u otra información de importancia para el personal de mantenimiento. Asegúrese que la placa de identificación se pueda leer si se pinta la carcasa exterior.
- Después de realizar cualquier tipo de mantenimiento, pruebe el sistema de luz para asegurarse de que funciona correctamente.

Si no se siguen todas las precauciones e instrucciones de seguridad se pueden ocasionar daños a la propiedad, lesiones graves o la muerte.

Sustitución del tubo de luz estroboscópica

ADVERTENCIA

PELIGRO DE ELECTROCUCIÓN: Dentro del conjunto de la luz hay voltajes altos. Espere por lo menos 5 minutos después de apagar la energía antes de realizar reparaciones a esta unidad. El incumplimiento de esta advertencia podría causar lesiones graves o la muerte.

PRECAUCIÓN

MANIPULE LOS TUBOS ESTROBOSCÓPICOS CON CUIDADO: Los tubos estroboscópico se calientan lo suficiente como para quemar. Siempre permita que estas lámparas se enfríen antes de manipularlas. Las lámparas estroboscópicas también están presurizadas y, si se rompen, algunos vidrios pueden salir despedidos. Si no se sigue esta advertencia, pueden sufrirse lesiones personales.

AVISO

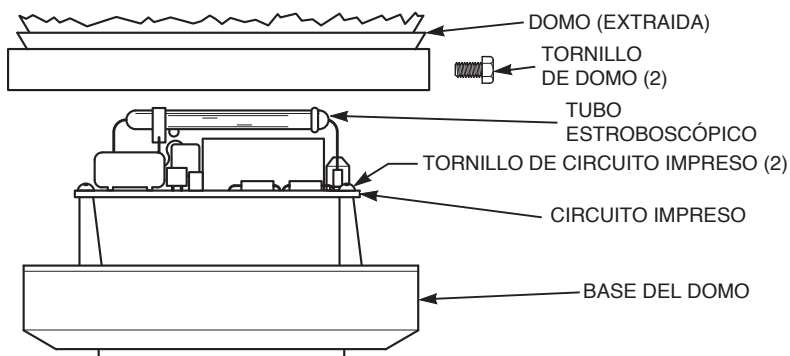
DESCARGA ELECTROSTÁTICA: La circuitería de esta luz de aviso puede ser dañado por una descarga electrostática (DES). Siempre siga los procedimientos antiestáticos al sustituir el tubo de luz estroboscópica.

Para reemplazar el tubo estroboscópico:

Instrucciones de instalación y mantenimiento

1. Desconecte la fuente de alimentación del circuito eléctrico.
2. Espere por lo menos 5 minutos antes de quitar el domo.
3. Consulte la figura 2. Saca los dos tornillos de la base del domo y saca el domo.

Figura 2 Domo extraído desde la base



4. Saca con cuidado el tubo estroboscópico quemado levantándola desde ambos lados a la vez.

AVISO

NO TOQUE EL TUBO ESTROBOSCÓPICO CON LAS MANOS AL DESCUBIERTO: Los depósitos de aceite en la parte de vidrio del tubo estroboscópico pueden ocasionar que el vidrio se rompa durante el uso. Si no está seguro si el vidrio ha sido manipulado sin guantes, limpie el vidrio con un paño suave y alcohol isopropílico antes de instalar el tubo.

5. Inserte el nuevo tubo en los conectores de la superficie de la tarjeta. Asegúrese que las tres clavijas entran en los conectores de la tarjeta y lentamente aplique presión a los conductores externos del tubo.
6. Coloque el domo exterior en su lugar y instale los dos tornillos del domo.
7. Conecte la alimentación a la luz y comprobar que funciona correctamente.

Sustitución del circuito impreso

ADVERTENCIA

PELIGRO DE ELECTROCUCIÓN: Dentro del conjunto de la luz hay voltajes altos. Espere por lo menos 5 minutos después de apagar la energía antes de realizar reparaciones a esta unidad. El incumplimiento de esta advertencia podría causar lesiones graves o la muerte.

AVISO

DESCARGA ELECTROSTÁTICA: La circuitería de esta luz de aviso puede ser dañado por una descarga electrostática (DES). Siempre siga los procedimientos antiestáticos mientras que la sustitución del circuito impreso.

1. Retire el circuito impreso:

- a. Desconecte la fuente de alimentación del circuito eléctrico.
- b. Espere por lo menos 5 minutos antes de quitar el domo.
- c. Consulte la figura 2 en la página 38. Saca los dos tornillos de la base del domo y saca el domo.
- d. Desconecte la fuente de alimentación de la tarjeta de conexiones.
- e. Saca los tornillos de montaje de la tarjeta de circuitos que se encuentran en las esquinas exteriores.
- f. Retire la tarjeta de circuitos.

2. Instale la tarjeta nueva de circuitos:

AVISO

DAÑOS A LA TARJETA DE CIRCUITOS: No apriete demasiado los tornillos de montaje. Se podría dañar la tarjeta de circuito impreso.

- a. Instale el nuevo circuito impreso encima de los postes y instale los tornillos de montaje.

Instrucciones de instalación y mantenimiento

- b.** Conecte los cables de alimentación de CA a las terminales de 120 VCA o 240 VCA con conectores de dos posiciones, por el insertar de los extremos del cable pelado en el conector, tan lejos como sea posible.
- c.** Asegúrese que el aislamiento de los cables de alimentación están al ras con el conector. Si se utiliza cable torcido asegúrese que ninguno de las hebras están sueltos afuera del conector, de tal manera que pudiera tocar la hebre contigua y ocasionar un cortocircuito.
- d.** Apriete los tornillos de las terminales para hacer seguros los cables en el conector.
- e.** Instale el domo exterior en su lugar et instale los dos tornillos en el exterior del domo.
- f.** Conecte la alimentación a la luz y comprobar que funciona correctamente.

Limpieza del gabinete

El gabinete debe limpiarse periódicamente para mantener una salida de luz máxima. Use solo agentes de limpieza suaves, no abrasivos.

El domo debe inspeccionarse periódicamente para detectar rayones e impactos y, si está dañada, debe cambiarse.

Pedidos de piezas de repuesto y accesorios

Véanse las tablas 1 y 2. Para pedir accesorios y piezas de repuesto, comuníquese con el Servicio de Asistencia al Cliente de Federal Signal llamando al 708-534-4756 o al 877-289-3246.

Tabla 1 Accesorios opcionales

Descripción	Nº de pieza
Soporte de montaje, esquina	LCMB2
Soporte de montaje, pared	LWMB2

Tabla 2 Piezas de repuesto

Descripción	N° de parte
Domo, ámbar	K8263079
Domo, azul	K8263079-01
Domo, rojo	K8263079-02
Domo, verde	K8263079-03
Tubo de luz estroboscópica	K149128
Circuito impreso, 120 VCA	K2001195
Circuito impreso, 24 VCA	K2001195-01

Servicio de reparación y asistencia técnica

Los productos devueltos para su reparación requieren un Formulario de autorización de devolución de su distribuidor o de Federal Signal. Para obtener el servicio de reparación o asistencia técnica de Federal Signal, llame al 708-534-4756 o 877-289-3246.

Para ver manuales de instrucciones e información sobre productos relacionados, visite: www.federalsignal-indust.com.

Cómo devolver el producto para obtener crédito

Las devoluciones de productos para obtener crédito requieren una autorización de devolución de su distribuidor local antes de devolver el producto a Federal Signal. Póngase en contacto con su distribuidor para obtener ayuda.

Un producto está calificado para ser devuelto para obtener un crédito cuando se cumplen los siguientes requisitos:

- El producto está en su empaque original y se puede revender
- El producto no se ha instalado anteriormente
- El producto es la versión actual
- El producto no se ha reparado anteriormente
- El producto es un producto estándar
- El producto no es una pieza de reparación

Instrucciones de instalación y mantenimiento

Todas las devoluciones están sujetas a una tasa de manejo de existencias.

Los productos defectuosos que son devueltos en el plazo de garantía serán reparados o reemplazados a criterio de Federal Signal. Los productos defectuosos no incluyen aquellos productos con fallas en la lámpara.

Otras circunstancias que no hayan sido enumeradas anteriormente se tratarán de acuerdo a cada caso.



FEDERAL SIGNAL

Safety and Security Systems / **Industrial**

Industrial Systems

2645 Federal Signal Drive • University Park, IL 60484-3167

Tel: +1 708-534-4756 • +1 877 289 3246 • Fax: 708-534-4852

Email: elp@federalsignal.com

www.federalsignal-indust.com