

► Model 141ST

# Electraflash® Strobe Warning Light



Federal Signal's Electraflash® 141ST is an economical strobe light designed for a variety of industrial uses. This compact warning light is less than six inches tall and six inches in diameter.

Model 141ST includes a removable strobe mechanism. The 12VDC and 24VDC units have three holes for flat surface mounting. The 120VAC version come ready to mount on a 1/2-inch NPT pipe. Optional wall mounting brackets (Model LWMB2) or corner mounting brackets (Model LCMB2) are available for the 120VAC unit.

Federal Signal's Electraflash strobe lights are designed for both indoor and outdoor industrial environments. The unit's convenient size and intense light output make it ideal for use on maintenance vehicles, fork lifts, and other material handling equipment, effectively alerting hazardous conditions or dangerous areas.

Federal Signal's Electraflash strobe warning light is an affordable visual signal which is ideally suited for light duty applications.

## FEATURES

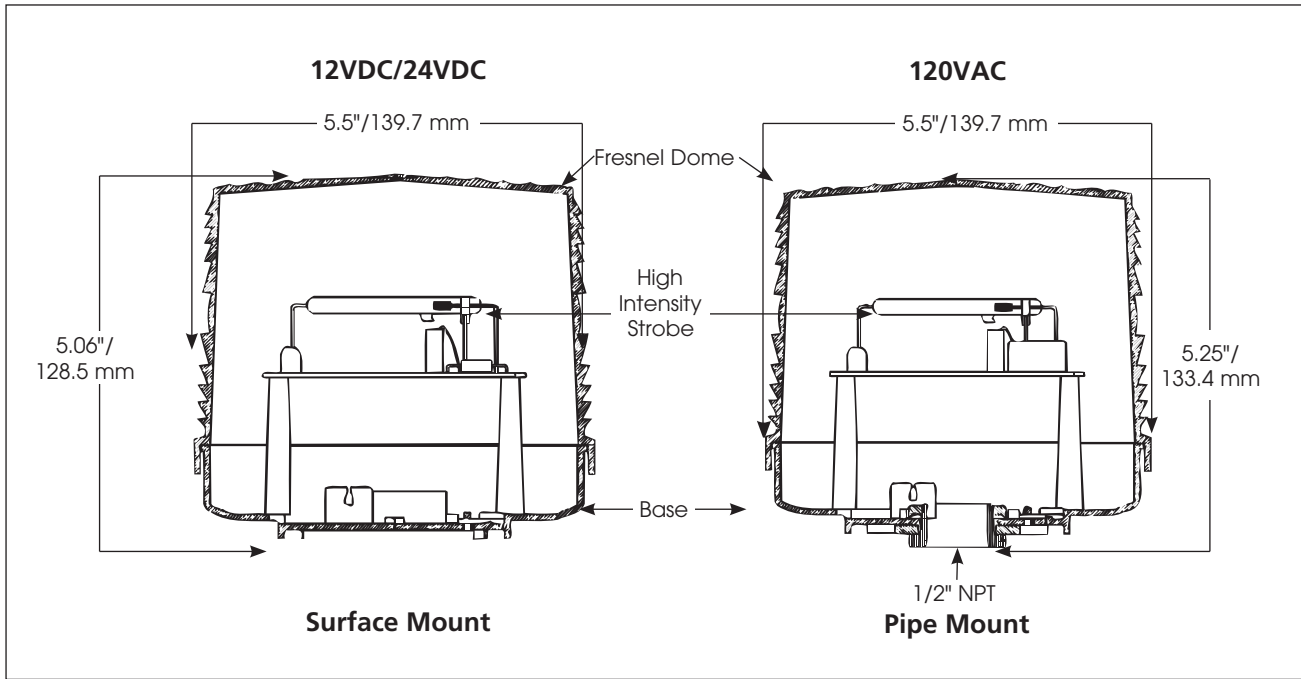
- Available in 12VDC, 24VDC, and 120VAC
- Four dome colors: Amber, Blue, Green and Red
- 4,000 hour strobe tube
- Surface mount or integrated 1/2-inch NPT pipe mount
- Indoor/outdoor use
- Type 3R enclosure
- UL Listed and CSA Certified

MODEL	VOLTAGE	OPERATING CURRENT	FLASH RATE/ MINUTE	CANDELA PEAK <sup>1</sup>	MOUNT
<b>141ST-012 *</b>	12VDC	0.18 amps	80	100,000	Surface
<b>141ST-024 *</b>	24VDC	0.08 amps	80	100,000	Surface
<b>141ST-120 *</b>	120VAC 50/60HZ	0.06 amps	80	100,000	1/2" NPT Pipe

\* Indicates color: (A) Amber, (B) Blue, (G) Green or (R) Red

<sup>1</sup> Peak candela is the maximum light intensity generated by a flashing light during its light pulse

Electraflash® Strobe Light (141ST)



SPECIFICATIONS

Lamp Life:	4,000 Hours	
Light Source:	Strobe tube	
Operating Temperature:	-31°F to 150°F	-35°C to 66°C
Net Weight:		
DC Models	0.8 lbs	0.4 kg
AC Models	0.9 lbs	0.4 kg
Shipping Weight:		
DC Models	1.3 lbs	0.5 kg
AC Models	1.4 lbs	0.5 kg
Height:		
DC Models	5.06"	128.5 mm
AC Models	5.25"	133.4 mm
Diameter:		
DC Models	5.5"	139.7 mm
AC Models	5.5"	139.7 mm

REPLACEMENT PARTS

Description	Part Number
Dome, Amber	K8263079A
Dome, Blue	K8263079A-01
Dome, Green	K8263079A-03
Dome, Red	K8263079A-02
Strobe Tube	K149128A

OPTIONAL ACCESSORIES

(120VAC pipe mount model only)

Description	Part Number
Corner Bracket	LCMB2*
Wall Bracket	LWMB2*
Hazardous Location Mounting Bracket	LHWB

\* Rated for NEMA 3R installations.

Mounting Brackets shown on pages 128-131

HOW TO ORDER

