

► Model 225

## Electrarray® Rotating Warning Light



Electrarray® Model 225 is a compact, economical rotating warning light designed for industrial uses. This innovative dome design features a single retaining screw that allows quick and easy access for inspection and lamp replacement.

Model 225 has a closed cell neoprene gasket that makes it water resistant. The injection molded reflector rotates around an incandescent lamp and produces 90 flashes per minute. It is available ready to mount on a 1/2-inch NPT pipe. Optional mounting brackets are available, simplifying installation on walls and in corners.

Federal Signal's Electrarray rotating light is an inexpensive warning light for calling attention to emergency situations or process status changes.

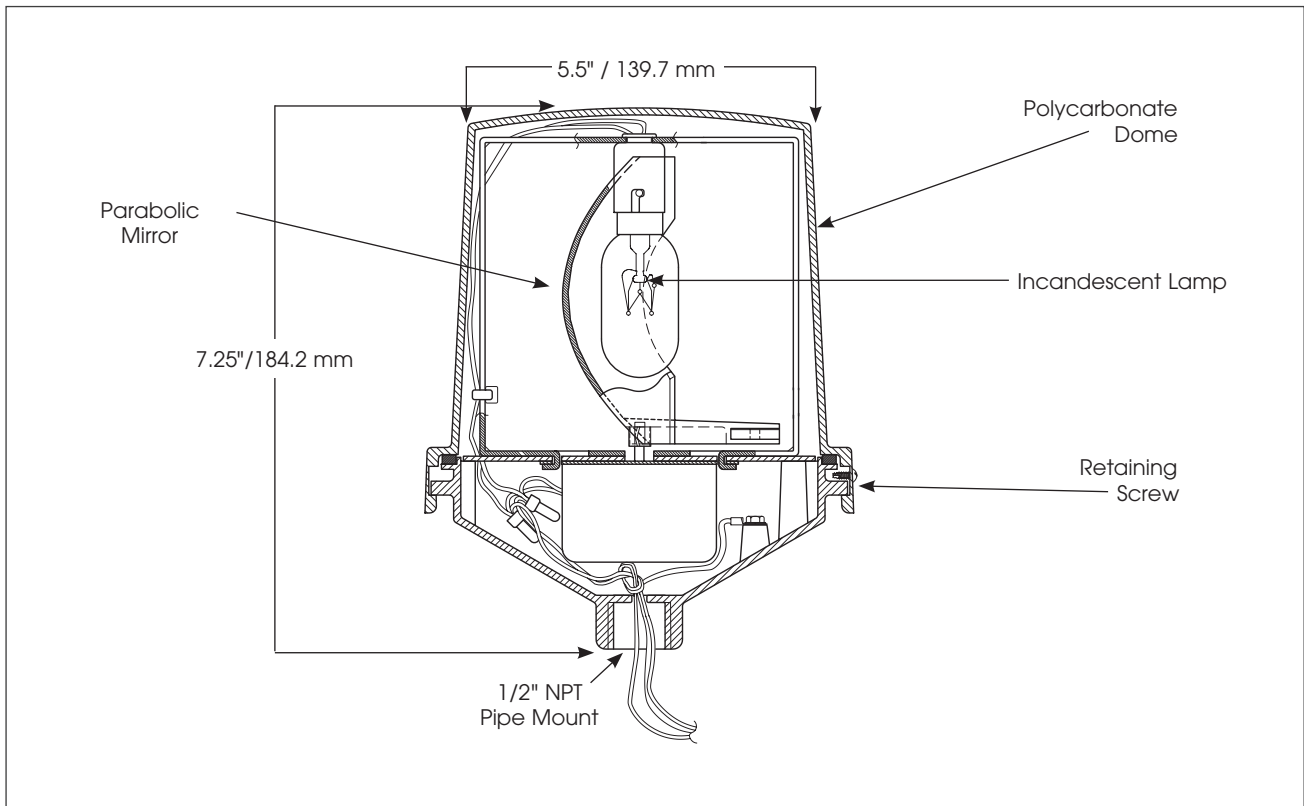
### FEATURES

- Available in 120VAC
- Five dome colors: Amber, Blue, Clear, Green and Red
- 25 watt incandescent lamp
- Integrated 1/2-inch NPT pipe mount
- Indoor/outdoor use
- Type 4X, IP66 enclosure
- UL and cUL Listed

MODEL	VOLTAGE	OPERATING CURRENT	FLASH RATE/ MINUTE	CANDELA	MOUNT
<b>225-120 *</b>	120VAC 50/60HZ	0.22 amps	90	1,000	1/2" NPT Pipe

\* Indicates color: (A) Amber, (B) Blue, (C) Clear, (G) Green or (R) Red

# Electrarray® (225)



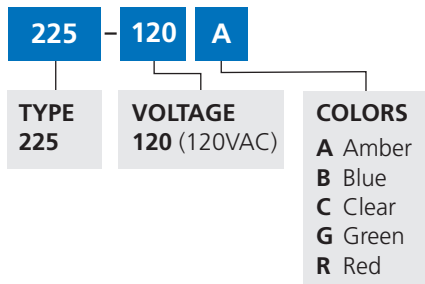
## SPECIFICATIONS

Lamp Life:	1,000	
Light Source:	Incandescent	
Operating Temperature:	-31°F to 150°F	-35°C to 66°C
Net Weight:	2.0 lbs	0.9 kg
Shipping Weight:	2.7 lbs	1.2 kg
Height:	7.25 "	184.0 mm
Diameter:	5.5 "	140.0 mm

## REPLACEMENT PARTS

Description (Current Series)	Part Number
Dome, Amber	K8444D219C-03
Dome, Blue	K8444D219C-01
Dome, Clear	K8444D219C-04
Dome, Green	K8444D219C-02
Dome, Red	K8444D219C
Lamp	K149123A

## HOW TO ORDER



## OPTIONAL ACCESSORIES

Description	Part Number
Corner Bracket	LCMB2*
Wall Bracket	LWMB2*
Hazardous Location Mounting Bracket	LHWB

\*Rated for NEMA 3R installations  
Mounting Brackets shown on pages 128-131