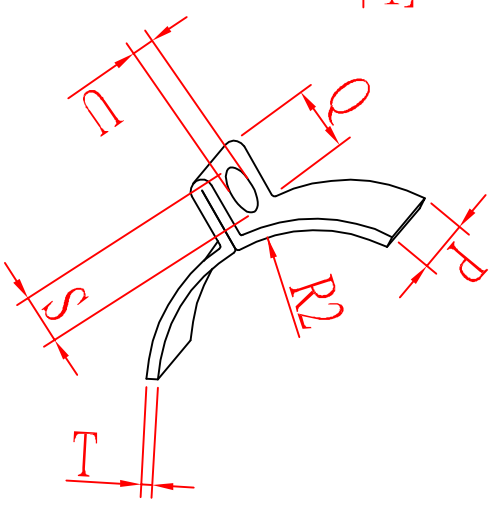
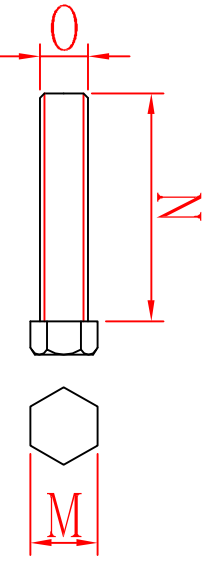
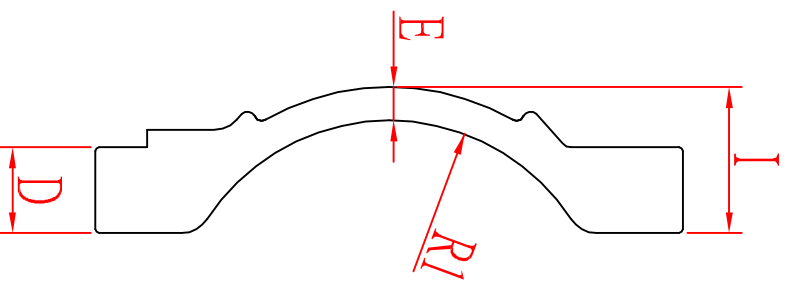
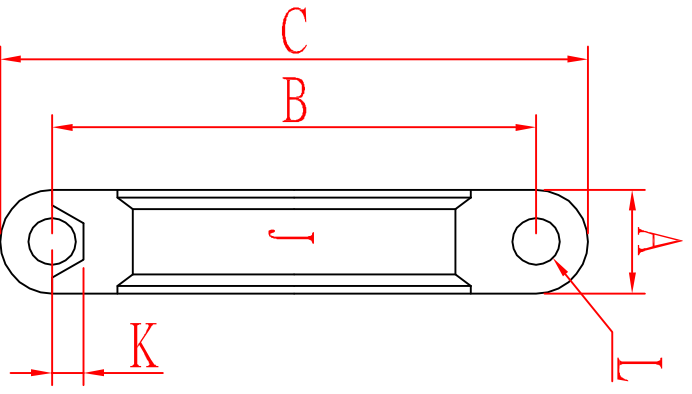
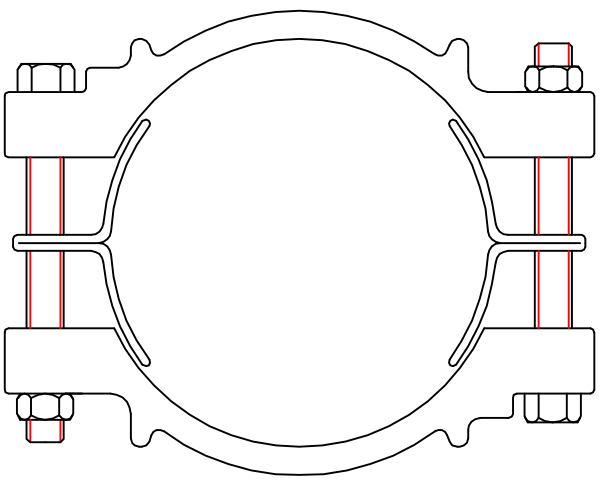


Item No.	A	B	C	D	E	F	G	I	J	K	L	M	N	O	R1	R2	P	Q	S	T	U
3LX75B	27.0	123.8	152.7	22.7	8.0	16.0	14.5	37.7	431	9.0	12.5	17.0	100.0	M10	52.6	58.0	26.0	24.0	20.0	2.0	12.9
3LX58A	24.0	111.0	135.4	16.5	8.0	14.0	14.0	38.0	400	X	11.0	17.0	100.0	M10	45.9	58.0	26.0	24.0	20.0	2.0	12.8
3LX76A	26.0	126.3	151.0	20.0	7.0	17.0	17.0	43.0	463	9.0	12.5	17.0	100.0	M10	55.0	58.0	26.0	24.0	20.0	2.0	13.3
3LX77A	27.0	147.0	173.0	17.3	7.8	18.0	18.0	41.5	525	10.6	14.0	20.8	112.0	M12	66.0	80.4	30.0	30.0	25.0	2.0	13.0



TOLERANCE : ±1.0mm