



K-59 3-1/2" GOOSENECK SPLASH MOUNT FAUCET

Conforms To NSF 61/9 Lead Free Requirements



FAUCET AERATOR CONFORM TO
ASTM.A112.18.1M • 1.0 GPM/3.8 LP
THREAD: 55/64 - 27 FEMALE

Item #: _____ Qty #: _____
Model #: _____
Project #: _____

FEATURES:

- 3-1/2" swivel gooseneck spout.
- 4" O.C. water supply.
- Quarter-turn wedge style handles.
- Colored hot & cold Indexes.
- 1.0 GPM/3.8 LPM Aerator. 60 PSI.

MATERIAL:

- Brass chrome plated body & spout.
- Chrome plated handles.

DIMENSIONS and SPECIFICATIONS

Options & Accessories

Replacement Spout For K-59 Faucet

3-1/2" Gooseneck Spout Only.

K-59SP



Low Flow Aerator

.5 GPM

K-08



Replacement Cartridges*

K-00A (Set of 2)



Replacement Handles*

K-00C (Set of 2)



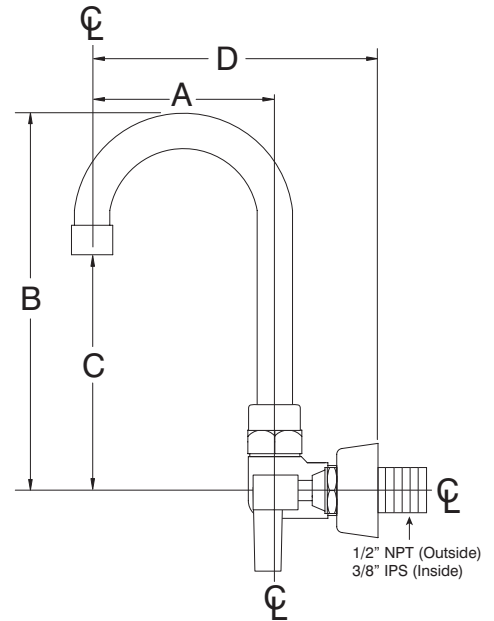
Wrist Handles*

K-316-LU (Set of 2)

For a Complete faucet with Wrist Handles,
See our K-316 Spec Sheet.



*Can Only Be Used On Faucets Purchased After January 2016.
For Older Faucets, Consult Customer Service.



A	B	C	D	On Center Dimensions
Length	Height			
3 1/2"	8 3/8"	5 1/2"	5 3/4"	4" O.C.

⚠ WARNING:

Faucet(s) on this page may expose you to chemicals, including lead, that are known to the State of California to cause cancer or birth defects or other reproductive harm. For more Info., visit www.p65warnings.ca.gov.



Customer Service Available To Assist You **1-800-645-3166** 8:30 am - 8:00 pm E.S.T.

For Orders & Customer Service:

Email: customer@advancetabco.com or Fax: 631-242-6900

For Smart Fabrication™ Quotes:

Email: smartfab@advancetabco.com or Fax: 631-586-2933