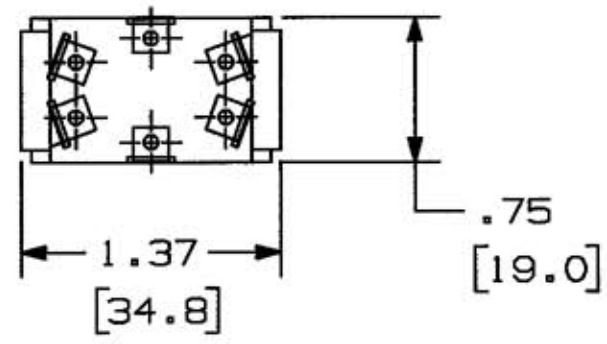
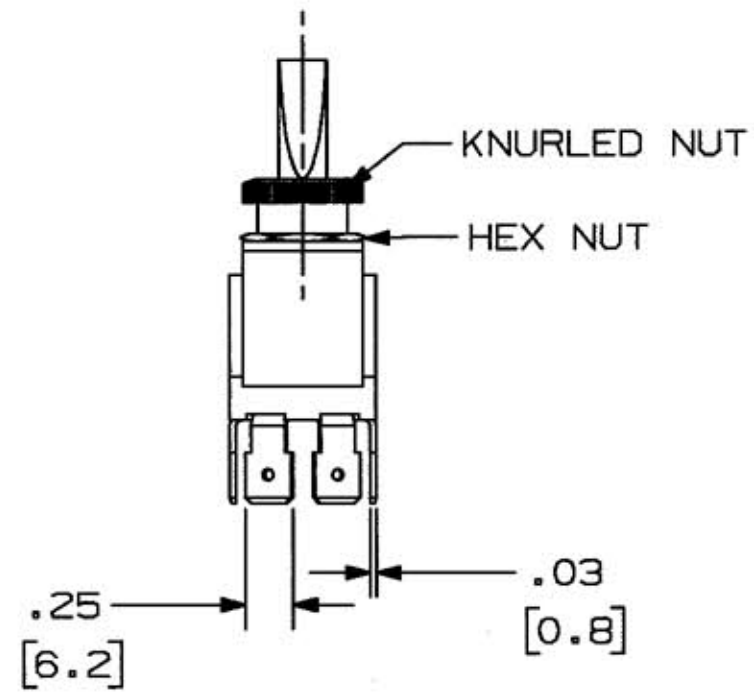
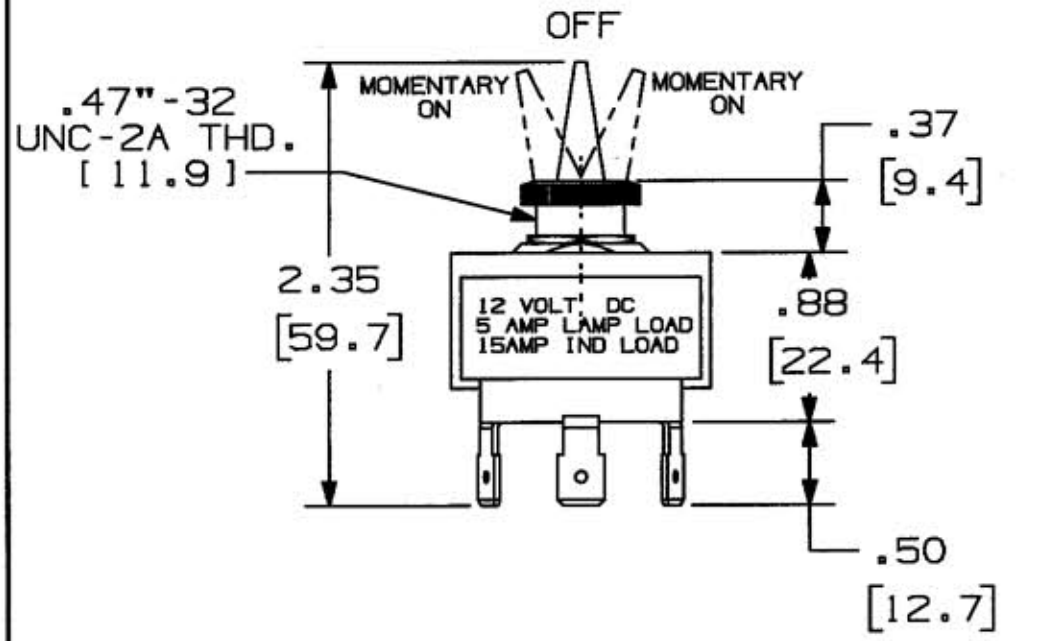
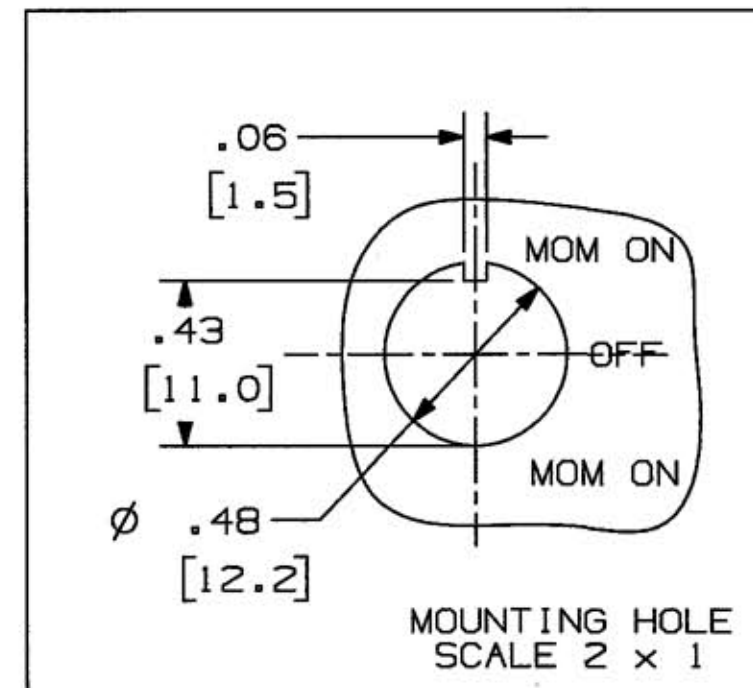


M-10280 1



NOTE

1. DIMENSIONS IN INCHES [MILLIMETERS].
2. SUPPLIED ASSEMBLED WITH:
 - (1) .47"-32 THD. KNURLED NUT (BRASS, BLACK OXIDE).
 - (1) .47"-32 THD. HEX NUT (BRASS, NICKEL PLATE).



LIST OF PARTS

DESCRIPTION	MATERIAL	FINISH
REF. D53428		

1	RELEASED PER DCN13301 GPK	JPP	10/20/06
SYM	REVISIONS	APP	DATE

THE DESIGN AND DIMENSIONS OF THE PRODUCT SHOWN ON THIS DRAWING ARE SUBJECT TO CHANGE WITHOUT NOTICE

TITLE MARINE SWITCH DPDT MOM ON / OFF / MOM ON PLASTIC STEM

TOLERANCES UNLESS OTHERWISE SPECIFIED FRACTIONS ± 1/64 DECIMALS ± .005 ANGLES ± 2°	WIRING DEVICE-KELLEMS HUBBELL INCORPORATED BRIDGEPORT, CT	
	DR. BY GPK	APP. BY JPP
	TR. BY	SCALE 1=1
	CHK'D BY TCM	DATE 10/20/06

CATALOG NO. M223MMSP

DIMENSION SHEET FOR CAT. NO. REPAIRABLE NON-REPAIRABLE B M-10280 1