

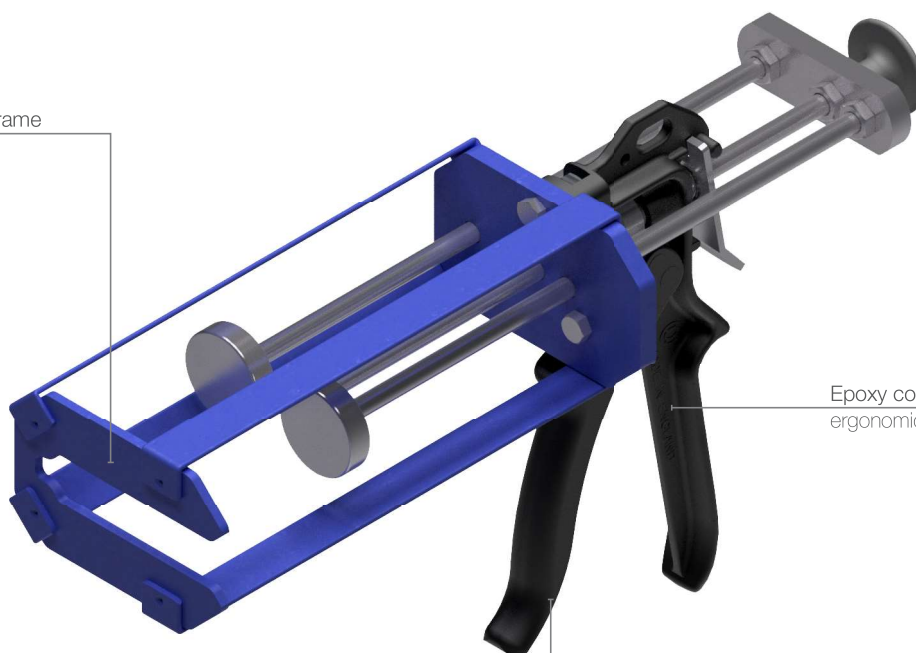


COX™ 2-Component Dispenser

VBM 400X MR

A 2-component manual 400mL dispenser for cartridges.

Epoxy coated steel frame supports cartridge



Epoxy coated aluminum handle ergonomically design for comfort

Minimum trigger pressure for effortless use

Model shown: VBM 400X MR 400mL

Product advantages

- High quality cast aluminum handle
- Epoxy coated steel frame support
- Sintered alloy catch plate
- Warranty up to 2 years*

Customer benefits

- For day long comfortable use
- For efficient dispensing
- Wear compensation device (WCD)
- Gives you long worry free performance

Applications



Product by range



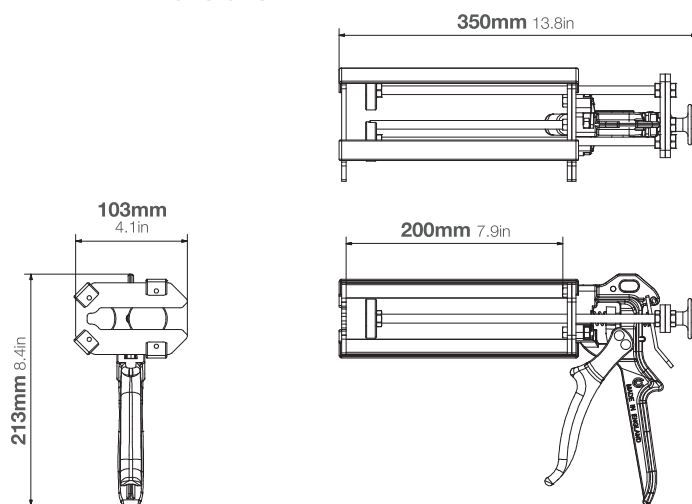
*Effective 1st July 2018

The **VBM 400X MR** is part of a range of manual bi-mixer dispensers. Designed for use with high viscosity sealants and adhesives.

Specifications

- Lightweight: 1.8kg / 3.8lbs
- Cartridge Holder Length: 200mm / 7.9in
- Maximum Thrust: 4.5kN (8mm/s)
- Handle Material: Epoxy Coated Aluminum
- Frame Material: Epoxy Coated Steel
- Tool Component Approvals: REACH
- Cartridge Capacity: 400mL (14.0oz)
- Cartridge Ratio: 1:1, 2:1, 4:1, 10:1
- Mechanical Advantage Ratio: 25:1
- Viscosity: High
- Standard Color: Black/Blue
- Customized Versions: Yes

Dimensions



Part number:

M400X/1 (US)
M400X/2 (US)
M400X/4 (US)
M400X/10 (US)

Article number:

AP14101X (1:1)
AP14102X (2:1)
AP14104X (4:1)
AP141010X (10:1)

Packaging:

10 per Box / 1 per Box (US)
10 per Box / 1 per Box (US)
10 per Box / 1 per Box (US)
10 per Box / 1 per Box (US)

Matching MIXPAC™ side-by-side cartridges



C-System / F-System
400mL / 1:1 PP/PA/PBT



C-System / F-System
400mL / 2:1 PP/PA



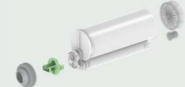
C-System / F-System
400mL / 4:1 PP/BPT



C-System / F-System
400mL / 10:1 PP/BPT



Blueline
400mL 2:1



Blueline
400mL 10:1

Compatible side-by-side cartridges



Plastic Cartridge
400mL / 1:1



Plastic Cartridge
400mL / 2:1



Plastic Cartridge
400mL / 10:1

	1:1		2:1		10:1	
	mm	inch	mm	inch	mm	inch
a	185.0	7.28	185.0	7.28	183.0	7.2
b	Ø41.0	Ø1.61	Ø47.0	Ø1.85	Ø65.0	Ø2.5
c			Ø33.0	Ø1.29	Ø20.0	Ø0.7

Conversion kits

Matching accessories

Red plunger kit