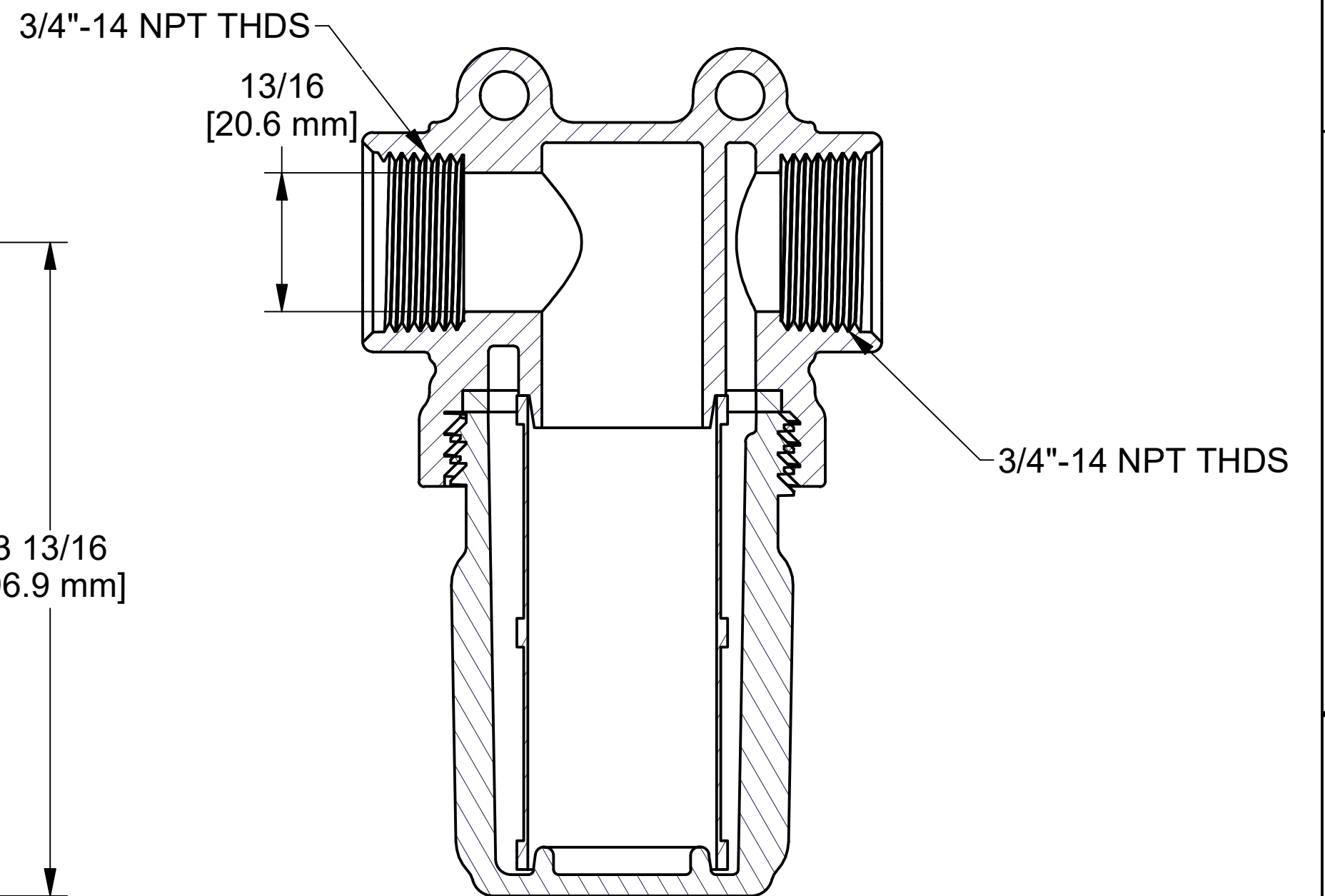
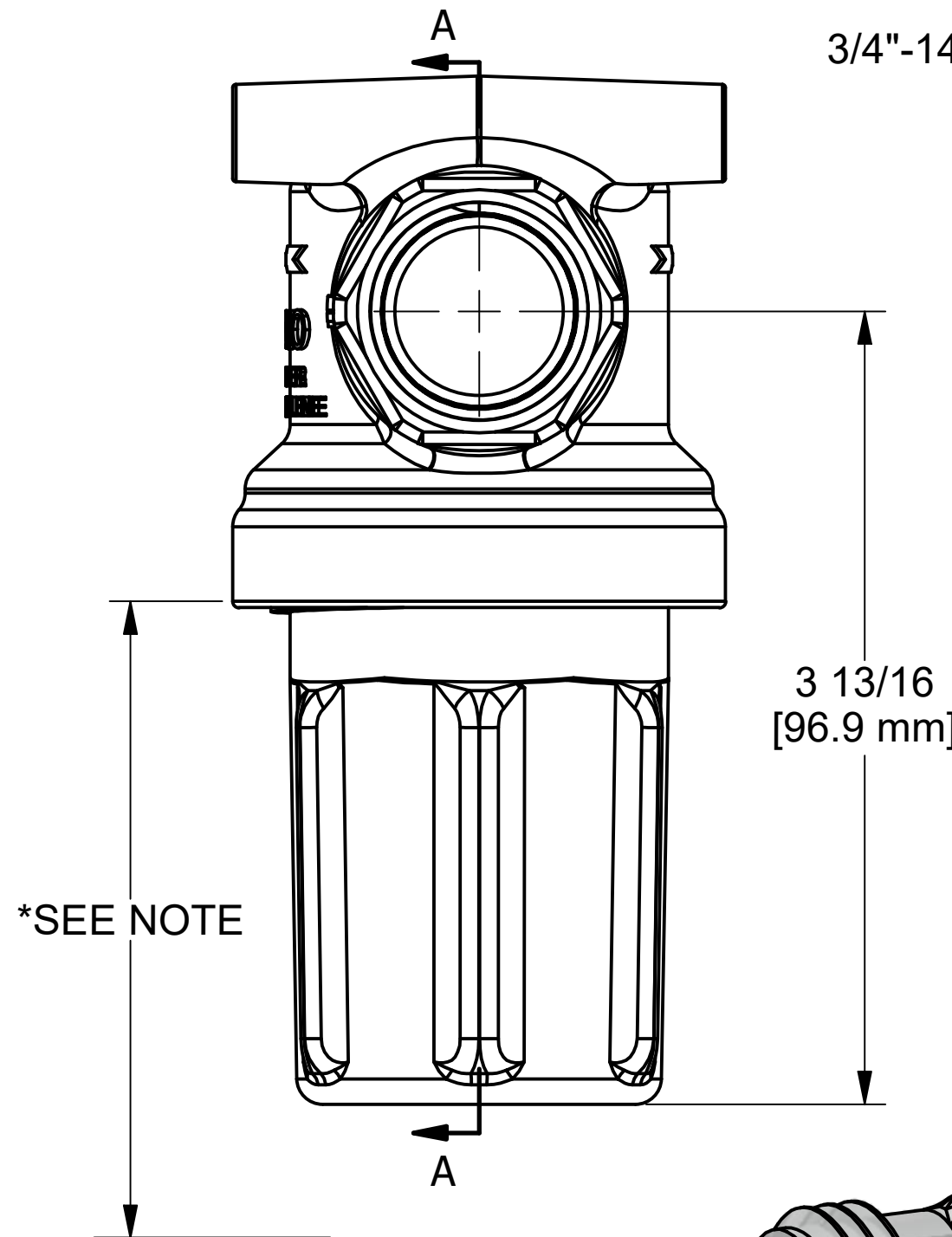
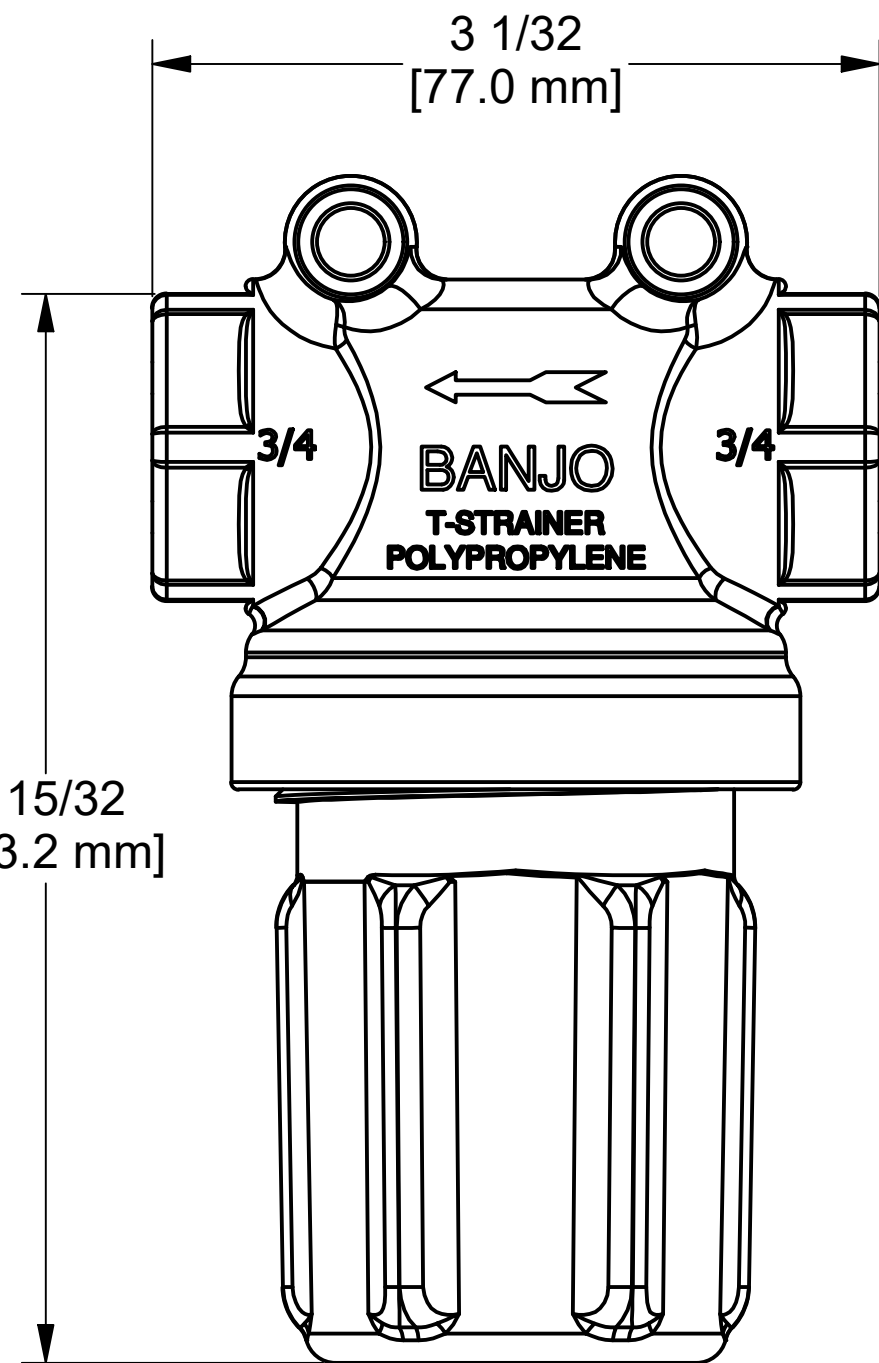
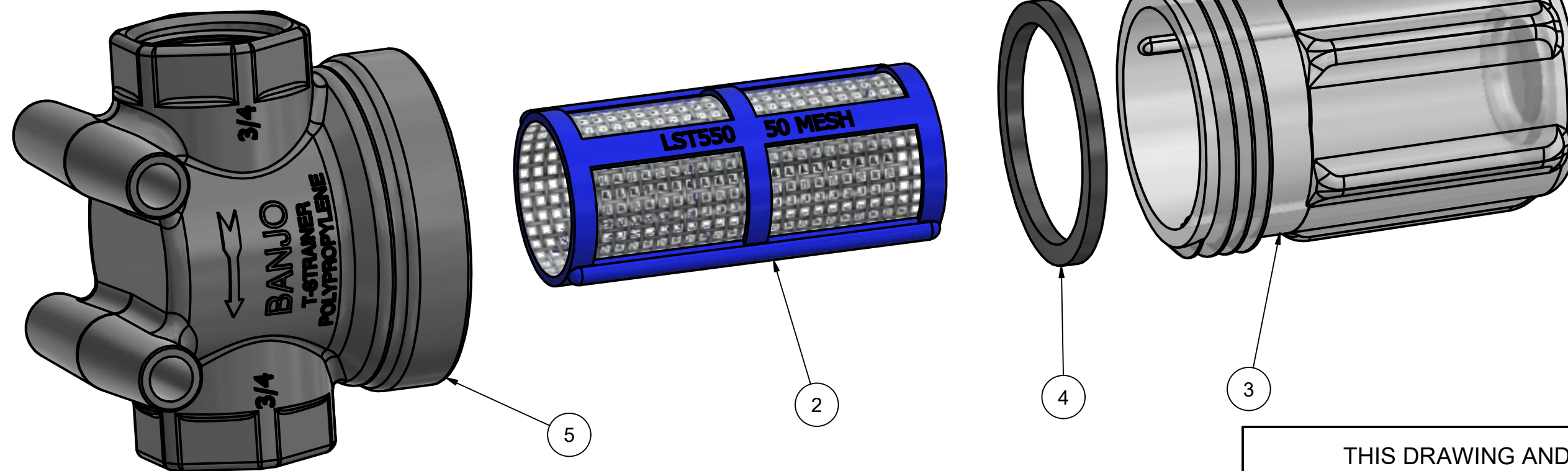


\*NOTE:  
ADDITIONAL CLEARANCE  
REQ'D  
FOR SCREEN REMOVAL: 2  
3/4"



Parts List				
ITEM	QTY	PART NUMBER	DESCRIPTION	
1	1	LST1100D	100 PSI DECAL (N/S)	
2	1	LST550	1/2" LST SCREEN - 50 MESH	
3	1	LSTM050BC	MINI T-STRAINER CLEAR BOWL	
4	1	LSTM050G	MINI T-STRAINER GASKET	
5	1	LSTM075H	3/4" NPT MINI T-STRAINER HEAD	



THIS DRAWING AND ALL INFORMATION CONTAINED THEREON ARE THE EXCLUSIVE PROPERTY OF BANJO CORPORATION.

UNLESS SPECIFICALLY NOTED, THIS DRAWING AND ITEMS SHOWN ON THIS DRAWING ARE SUBJECT TO CHANGE AT ANY TIME.

BANJO CORPORATION  
150 BANJO DRIVE, CRAWFORDSVILLE, IN 47933  
WEB SITE: WWW.BANJOCORP.COM  
E-MAIL: BANJOSALES@IDEXCORP.COM

DESCRIPTION  
3/4" MINI T-STRAINER CLEAR BOWL, 50 Mesh

PART NUMBER  
LSTM075-50C