

## Straight Blade Devices

20A, 125V, 2 Pole, 3 Wire Grounding

# Commercial Specification Grade Style Line® Decorator Duplex Receptacles

# HUBBELL

## Features

- Aesthetic Style Line® decorator design
- Smooth face
- Triple wipe contacts

## Ordering Information

| Description   | Device Color | UPC Number   | Catalog Number |
|---|--------------|--------------|----------------|
| Smooth face, Style Line® decorator, back and side wired | Black        | 783585127910 | DR20BLK        |

## Listings

UL Listed to UL498 File No. E2186  
Certified to CSA, C22.2, No. 42  
NEMA® WD-6 Compliant

## Specifications

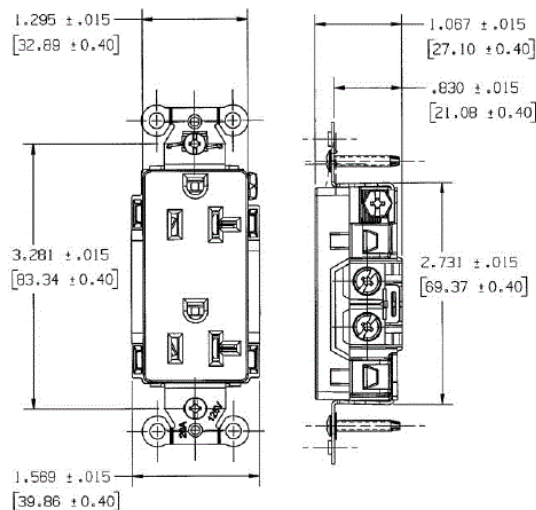
|                                 |                                    |
|---------------------------------|------------------------------------|
| Face                            | Nylon                              |
| Base                            | Nylon                              |
| Power Contacts                  | .030 in. (.8) Brass                |
| Ground Contacts                 | Brass                              |
| Wire Clamp                      | .062 in. (1.6) Nickel plated steel |
| Terminal Screws                 | Plated steel                       |
| Mounting Strap                  | .040 in. (1) Galvanized steel      |
| Automatic Self-grounding Staple | Stainless steel                    |
| Mounting Screws                 | Galvanized Steel                   |

## Performance

| Electrical              |  |
|-------------------------|--|
| Current Interrupting    | Certified for current interrupting at full rated current |
| Dielectric Voltage      | Withstands 2,000V minimum                                |
| Mechanical              |  |
| Product Identification  | Ratings are a permanent part of the device               |
| Terminal Accommodation  | #12-#10 AWG copper stranded or solid conductor only      |
| Terminal Identification | Terminals identified in accordance with UL 498 and CSA   |
| Environmental           |  |
| Flammability            | UL 94 V-2  |
| Operating Temperatures  | Maximum continuous 75°C; minimum -40°C (w/o impact)      |



20A 125V  
NEMA 5-20R  
UL CSA  
1 HP



## Complementary Products

Wallplate or Weatherproof Cover

StyleLine® Decorator Opening

## Online Resources

Customer Sales Drawings  
eCatalog  
Installation Instructions

Dimensions in Inches (mm)

Hubbell Wiring Device-Kellems • Hubbell Incorporated (Delaware) • 40 Waterview Drive • Shelton, CT 06484

Phone (800) 288-6000 • Fax (800) 255-1031 • Specifications subject to change without notice.

