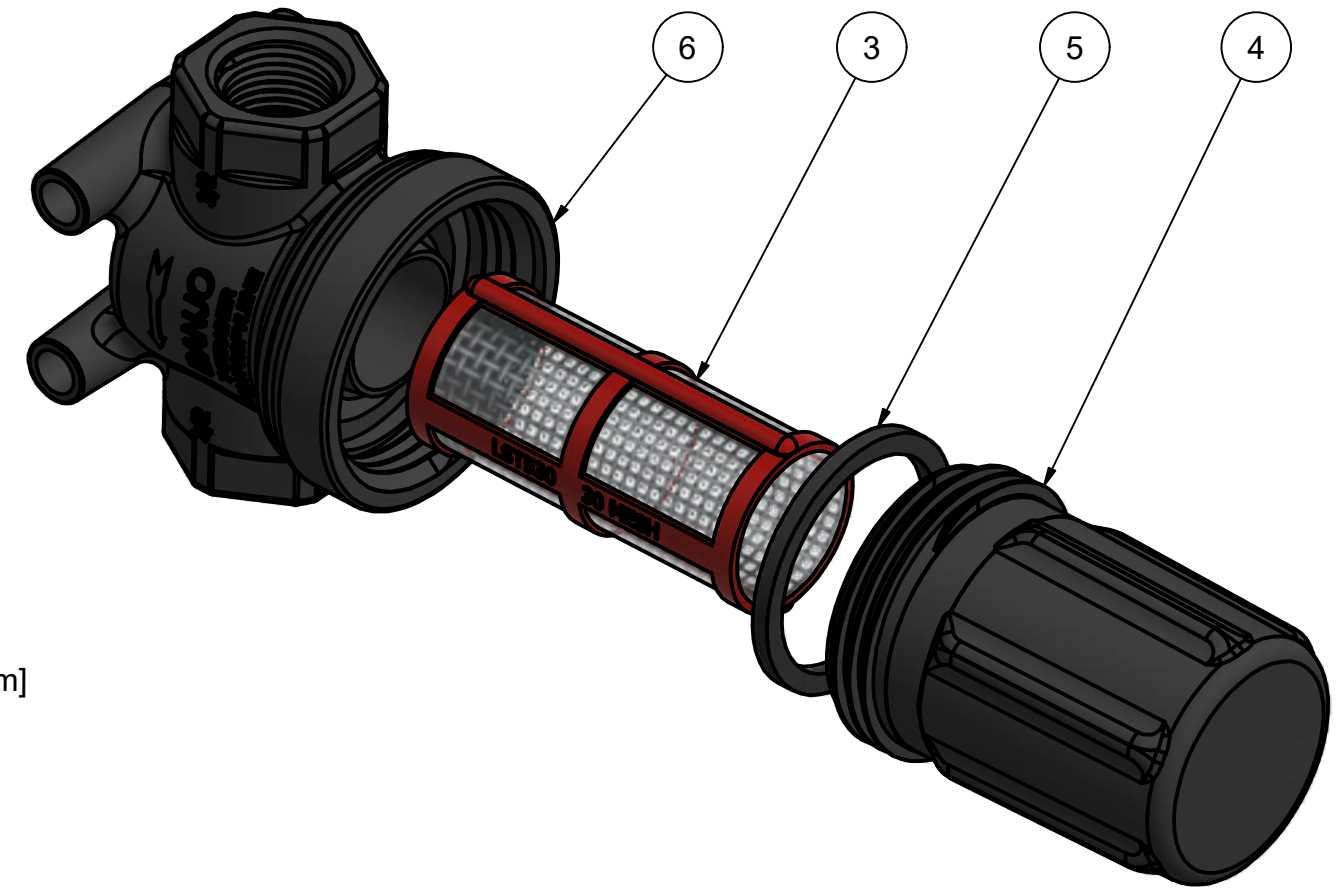


PARTS LIST			
ITEM	QTY	PART NUMBER	DESCRIPTION
1	1	CE050L	1/2" CE LABEL (N/S)
2	1	LST1200D	200 PSI DECAL (N/S)
3	1	LST530	1/2" LST SCREEN - 30 MESH
4	1	LSTM050B	MINI T-STRAINER BOWL
5	1	LSTM050G	MINI T-STRAINER GASKET
6	1	LSTM050H	1/2" NPT MINI T-STRAINER HEAD



2 3/4" ADDITIONAL  
CLEARANCE REQ'D  
FOR SCREEN  
REMOVAL.

SECTION A-A  
SCALE 1 : 1

THIS DRAWING AND ALL  
INFORMATION CONTAINED THEREON  
ARE THE EXCLUSIVE PROPERTY OF  
BANJO CORPORATION.

UNLESS SPECIFICALLY NOTED, THIS  
DRAWING AND ITEMS SHOWN ON  
THIS DRAWING ARE SUBJECT TO  
CHANGE AT ANY TIME.

**BANJO CORPORATION**

150 BANJO DRIVE, CRAWFORDSVILLE, IN 47933  
 WEB SITE: WWW.BANJOCORP.COM  
 E-MAIL: BANJOSALES@IDEXCORP.COM

DESCRIPTION  
 1/2" T-STRAINER - 30 MESH

PART NUMBER  
 LSTM050-30