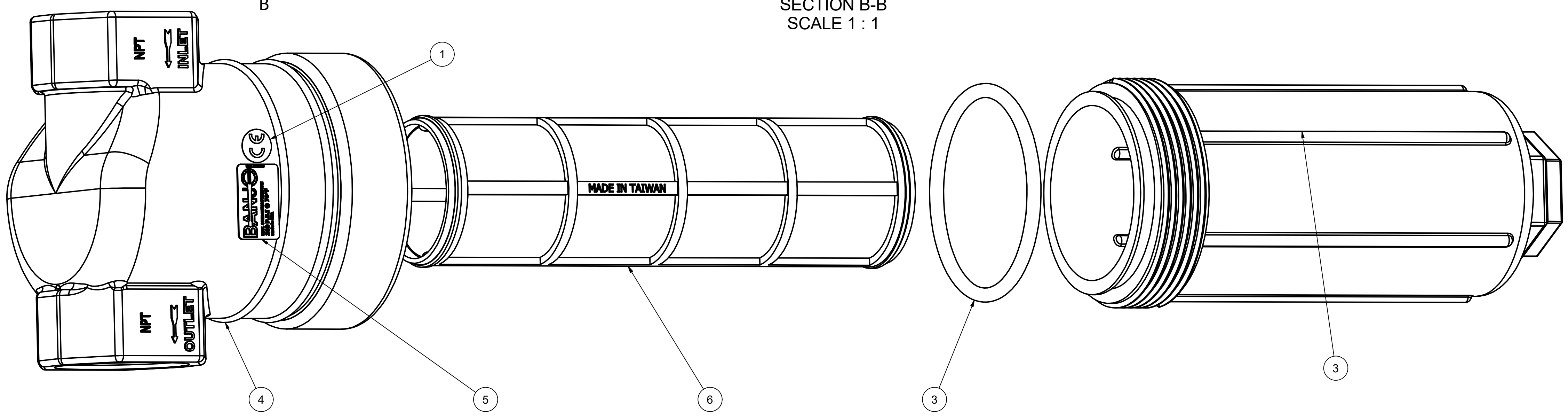


*NOTE:
8" ADDITIONAL CLEARANCE
REQ'D FOR SCREEN REMOVAL.

SECTION B-B
SCALE 1 : 1



| PARTS LIST | | | | |
|------------|-----|-------------|--|--|
| ITEM | QTY | PART NUMBER | DESCRIPTION | |
| 1 | 1 | CE050D | CE DECAL | |
| 2 | 1 | LST150-B | 1-1/2" POLY T STRAINER BOWL | |
| 2-1 | 1 | LSQ200-PL | 1" NPT LINE STRAINER PLUG | |
| 2-2 | 1 | LSQ200-R | AS568A -123 O-RING, EPDM, BLACK | |
| 2-3 | 1 | LST150-XB | 1 1/2" T-STRAINER BOWL | |
| 3 | 1 | LST150-G | AS568A -336 O-RING, EPDM, BLACK | |
| 4 | 1 | LST150-H | 1 1/2" T-STRAINER HEAD | |
| 5 | 1 | LST1300D | 300 PSI DECAL | |
| 6 | 1 | LST1550 | 1 1/2" LST SCREEN 50 Mesh, SS, Poly Ribs | |



THIS DRAWING AND ALL INFORMATION CONTAINED THEREON ARE THE EXCLUSIVE PROPERTY OF BANJO CORPORATION.
UNLESS SPECIFICALLY NOTED, THIS DRAWING AND ITEMS SHOWN ON THIS DRAWING ARE SUBJECT TO CHANGE AT ANY TIME.



BANJO CORPORATION
150 BANJO DRIVE, CRAWFORDSVILLE, IN 47933
WEB SITE: WWW.BANJO.CORP.COM
E-MAIL: BANJOSALES@IDEXCORP.COM

DESCRIPTION
1-1/2" POLY T STRAINER 50 MESH

PART NUMBER
LST150-50