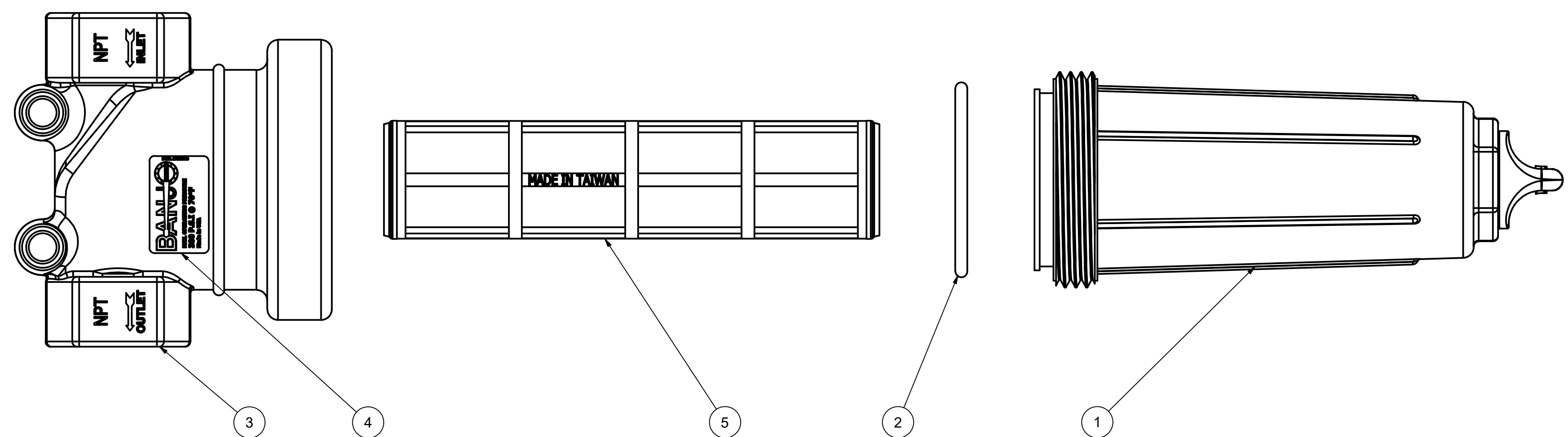
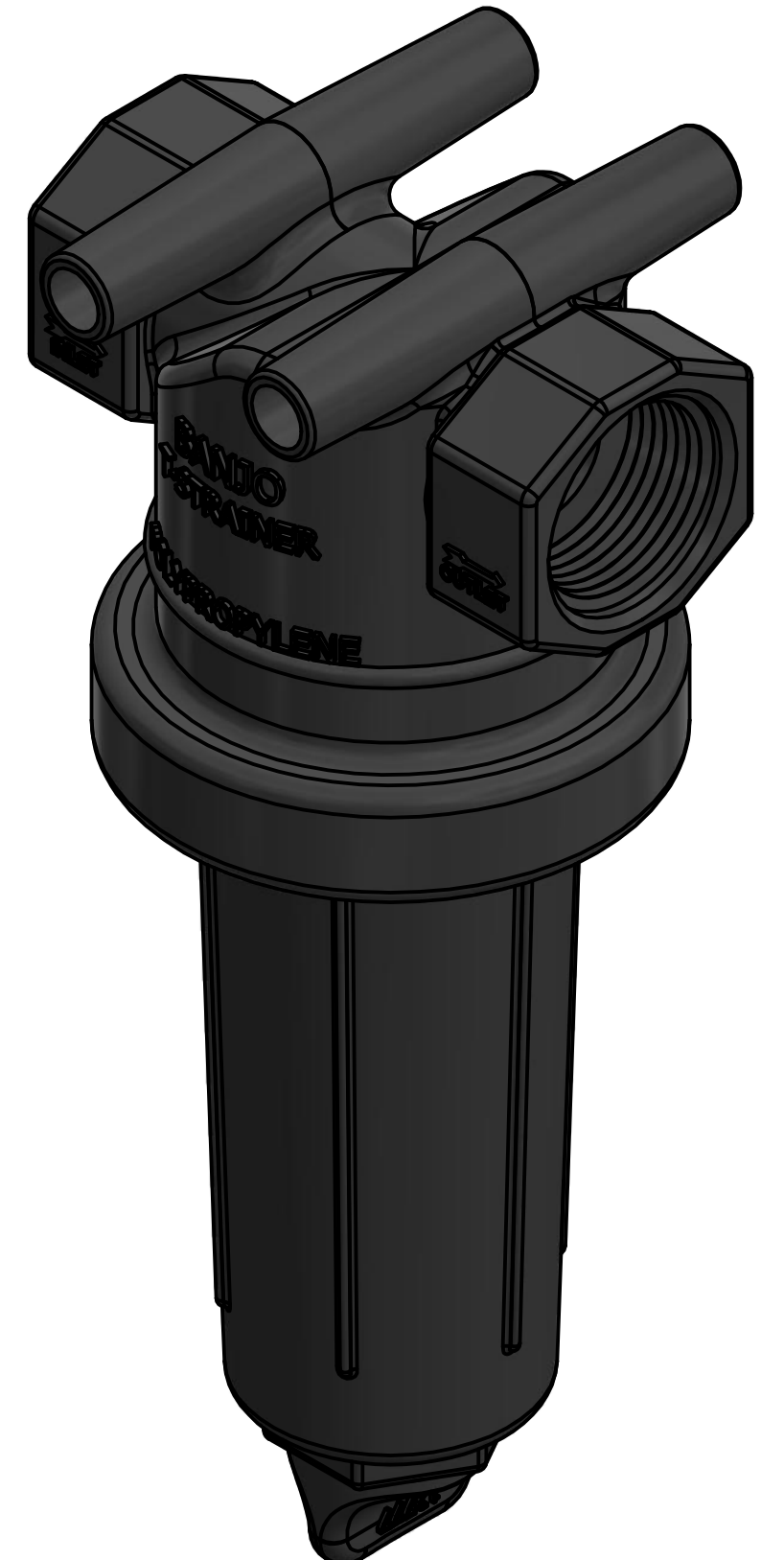


PARTS LIST			
ITEM	QTY	PART NUMBER	DESCRIPTION
1	1	LST100-B	3/4" & 1" POLY TEE STRNR BOWL
1-1	1	12777	1/2" DRAIN PLUG
1-2	1	LST100-XB	1" T-STRAINER BOWL
1-3	1	UV15163	#114 O-RING, EPDM
2	1	LST100-G	#226 O-RING
3	1	LST100-H	1" T-STRAINER HEAD
4	1	LST1300D	300 PSI DECAL
5	1	LST150	1" LST SCREEN - 50 MESH

\*NOTE:  
5 3/4" ADDITIONAL CLEARANCE  
REQ'D FOR SCREEN REMOVAL.



THIS DRAWING AND ALL INFORMATION CONTAINED THEREON ARE THE EXCLUSIVE PROPERTY OF BANJO CORPORATION.  
UNLESS SPECIFICALLY NOTED, THIS DRAWING AND ITEMS SHOWN ON THIS DRAWING ARE SUBJECT TO CHANGE AT ANY TIME.

BANJO CORPORATION  
150 BANJO DRIVE, CRAWFORDSVILLE, IN 47933  
WEB SITE: WWW.BANJO.CORP.COM  
E-MAIL: BANJOSALES@DEXCORP.COM

DESCRIPTION  
**1" POLY T-STRAINER, 50 MESH**

PART NUMBER  
**LST100-50**