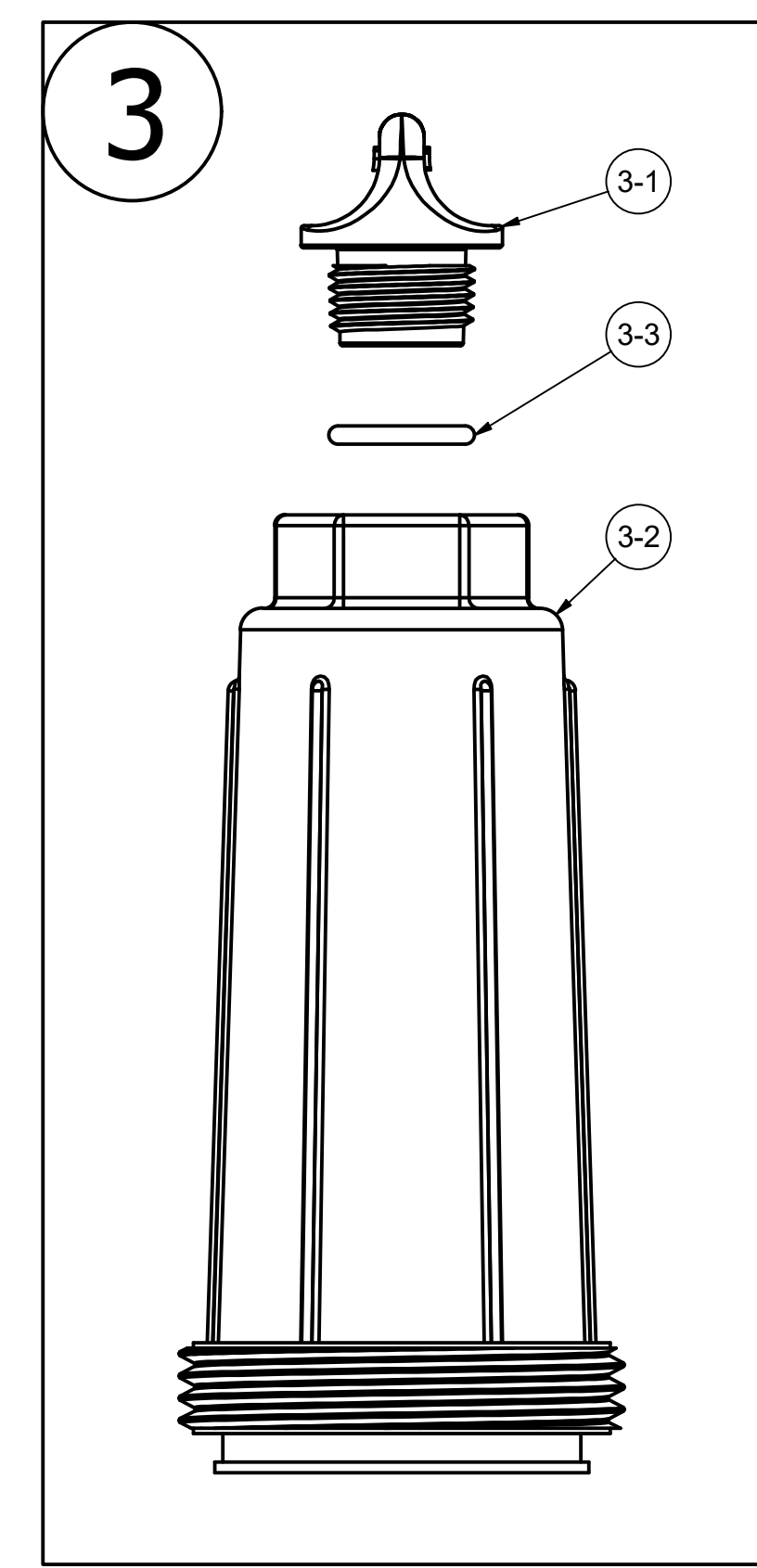
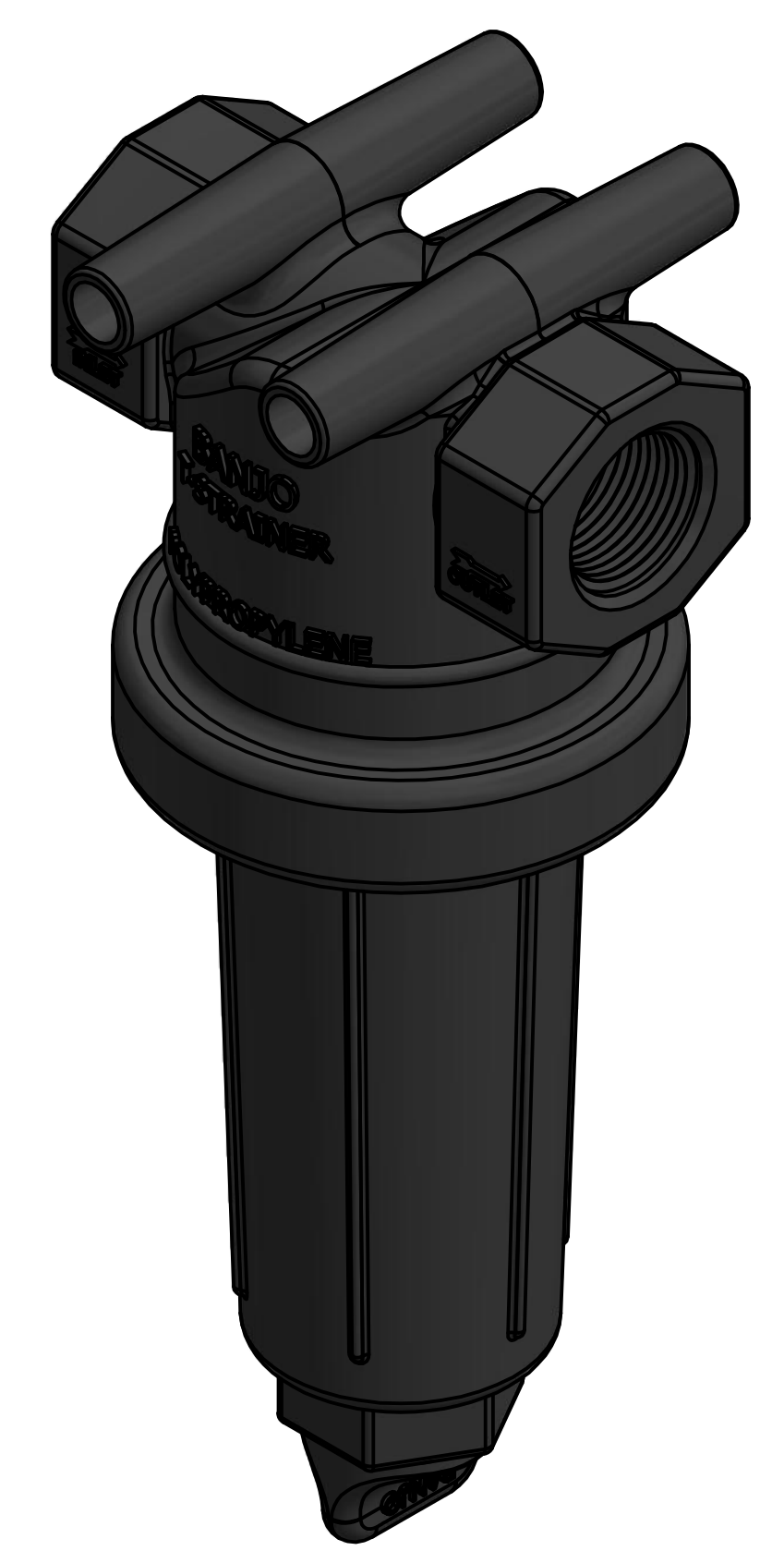


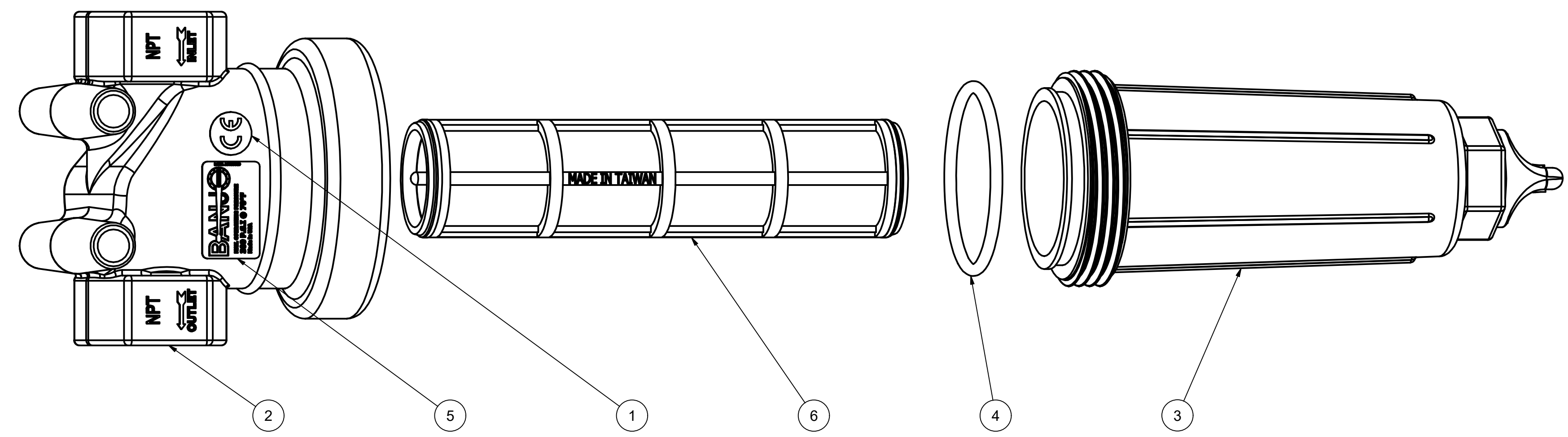
SECTION B-B  
SCALE 1 : 1



PARTS LIST			
ITEM	QTY	PART NUMBER	DESCRIPTION
1	1	CE050D	CE DECAL
2	1	LST075-H	3/4" T-STRAINER HEAD
3	1	LST100-B	3/4" & 1" POLY TEE STRNR BOWL
3-1	1	12777	1/2" DRAIN PLUG
3-2	1	LST100-XB	1" T-STRAINER BOWL
3-3	1	UV15163	AS568A -114 O-RING, EPDM, BROWN
4	1	LST100-G	AS568A -226 O-RING, EDPM, BLACK
5	1	LST1300D	300 PSI DECAL
6	1	LST150	1" LST SCREEN - 50 MESH



\*NOTE:  
5 3/4" ADDITIONAL CLEARANCE  
REQ'D FOR SCREEN REMOVAL.



THIS DRAWING AND ALL INFORMATION CONTAINED THEREON ARE THE EXCLUSIVE PROPERTY OF BANJO CORPORATION.  
UNLESS SPECIFICALLY NOTED, THIS DRAWING AND ITEMS SHOWN ON THIS DRAWING ARE SUBJECT TO CHANGE AT ANY TIME.



BANJO CORPORATION  
150 BANJO DRIVE, CRAWFORDSVILLE, IN 47933  
WEB SITE: WWW.BANJO.CORP.COM  
E-MAIL: BANJOSALES@DEXCORP.COM

DESCRIPTION  
3/4" POLY TEE STRAINER 50 MESH

PART NUMBER  
LST075-50