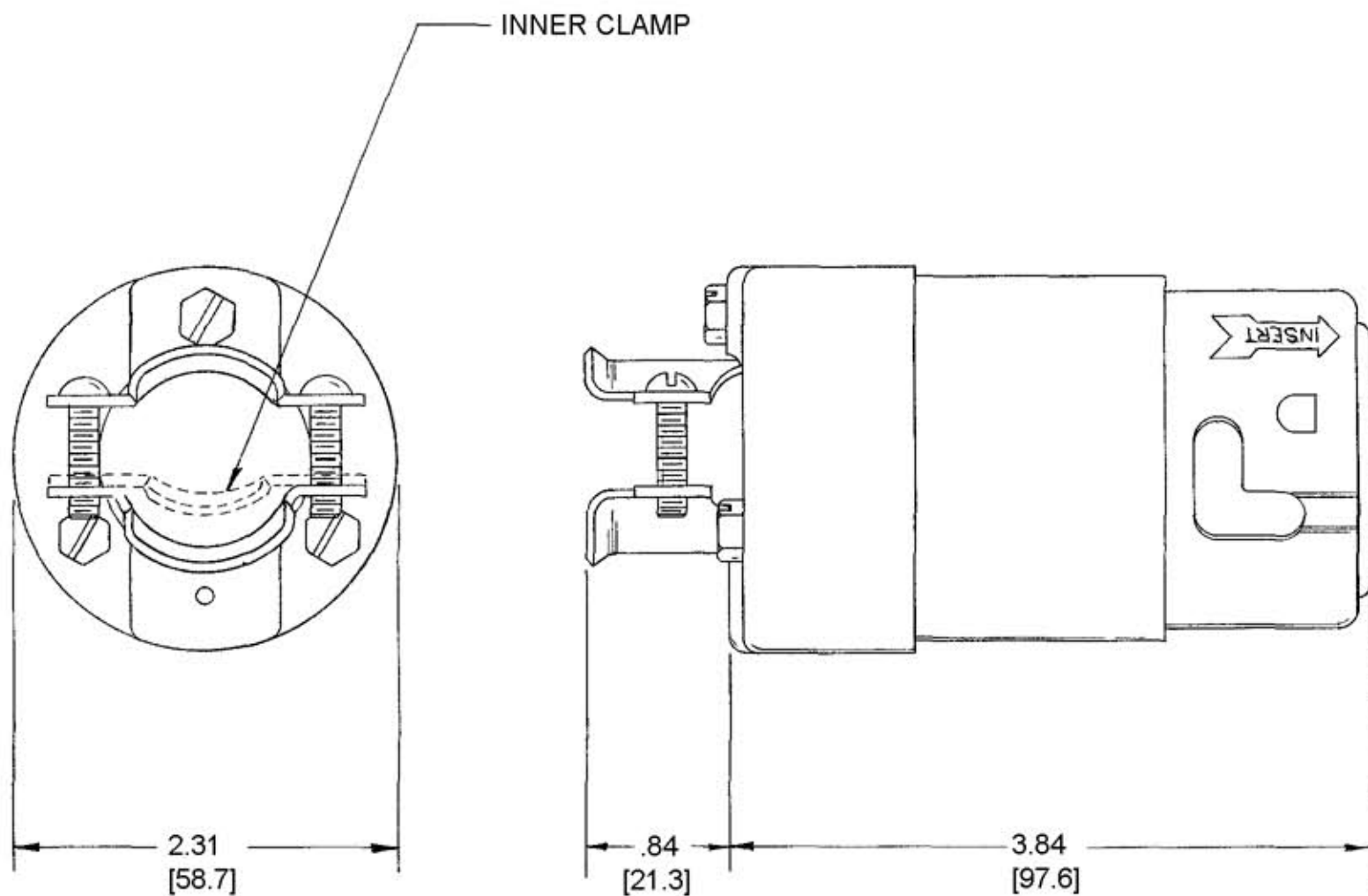


M-4542 2



NOTES:

- 1. WIRE CAPACITY: #8/4 TO #6/4AWG COPPER WIRE ONLY.
- 2. CORD RANGE: Ø .92 TO 1.20, TYPE "STOW" & "STOW-A".
[23.4] [30.5]
- 3. ALL DIMS. TO BE INCHES.
[mm]

LIST OF PARTS		
DESCRIPTION	MATERIAL	FINISH
INSULATORS	PHENOLIC	FUNGUS PR.
UPPER COVER	.062 BRASS	NICKEL PL.
COVER	.078 BRASS	NICKEL PL.
CORD RETAINER COVER	.062 BRASS	NICKEL PL.
CORD RETAINER	RUBBER	
CORD CLAMPS	.062 BRASS	NICKEL PL.
RD. HD. SCREWS	BRASS	NICKEL PL.
BINDING PLATES	.100 BRASS	NICKEL PL.
CONTACT SPRINGS	.040 BE. CU.	NICKEL PL.
3 TERMINALS	.070 COPPER	1 WHITE 2 BLACK
GROUND TERMINAL	.062 COPPER	GREEN
4 PRESSURE SCRS.	ST. STEEL	
GROUND SPRING	.025 BRONZE	NICKEL PL.
HEX. HD. SCREWS	BRASS	NICKEL PL.

DIMENSION SHEET FOR CAT. NO. HBL63CM64

REPAIRABLE NON-REPAIRABLE

B M-4542

2	ADDED NOTES 1 THRU 3; REMOVED "CORD CLAMP" CALLOUT; REVISED TITLE: "HBL63CM64" WAS "63CM64"; CONVERTED ALL DIMENSIONS TO DECIMAL & METRIC PER DCN 11902 RCM	JPP	1/28/05
1	PARTS LIST REVISED	JH	9-25-95
SYM	REVISIONS	APP	DATE

TITLE
50A 125/250V, 3 POLE, 4 WIRE
TWIST-LOCK CONNECTOR

TOLERANCES UNLESS OTHERWISE SPECIFIED
FRACTIONS ± 1/64
DECIMALS ± .005
ANGLES ± 2°

HARVEY HUBBELL, INC.
BRIDGEPORT, CONN.
DR. BY RAR APP. BY _____
TR. BY _____ SCALE FULL
CHK'D. BY _____ DATE 8-1-66