

Wallplates  
Weatherproof Covers for Receptacles

For FS/FD Box Mounting

# HUBBELL

### Ordering Information

Description	Catalog Number	UPC
For receptacles with face diameters of 2.09-2.13" (53.1-54.1), suitable for damp	HBL9420	783585809564

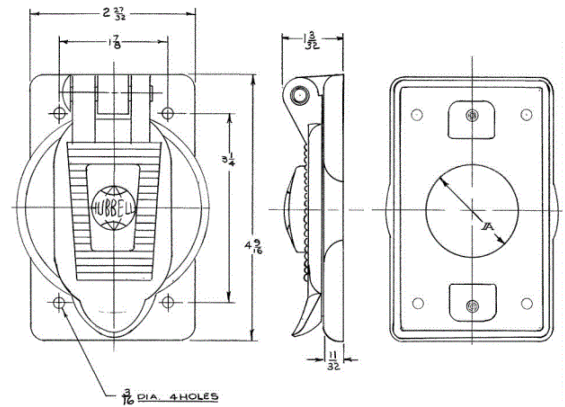


### Listings

UL Listed - Canadian and U.S.

### Specifications

Material	Aluminum
Gasket	Neoprene
Spring	Stainless steel
Hinge Pin	Stainless steel
Mounting Screws	Stainless steel



### Online Resources

[Customer Use Drawing](#)  
[eCatalog](#)

Dimensions in Inches (mm)

Hubbell Wiring Device-Kellems • Hubbell Incorporated (Delaware) • 40 Waterview Drive • Shelton, CT 06484

Phone (800) 288-6000 • Fax (800) 255-1031 • Specifications subject to change without notice.

