

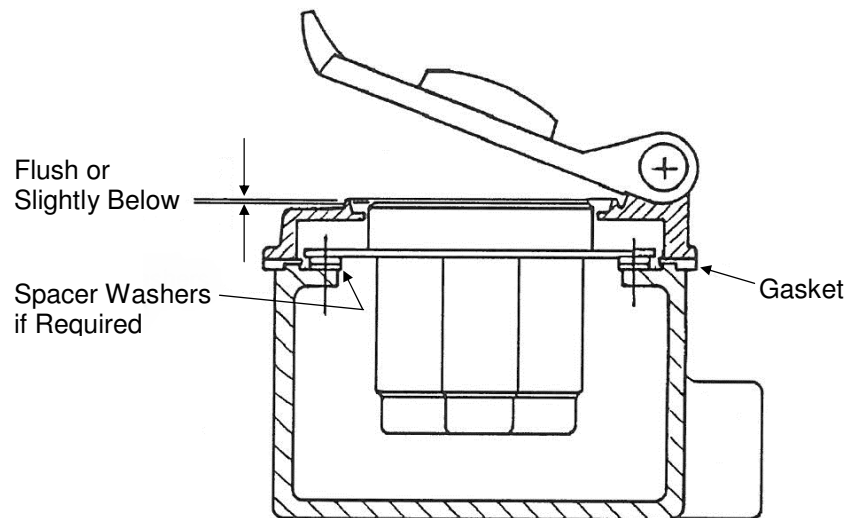
# LIFT COVER PLATE

## Installation Instructions

For use with Hubbell 4 wire straight blade receptacles with suffix "A" catalog numbers.

For wet locations with the cover closed.

Fits 2 gang FD boxes having plate mounting holes on 3-1/4 x 3-3/4 centers only.



**Note:** Receptacle should be attached to box with spacers between the receptacle mounting strap and box flange (if required) so that the receptacle face is flush or slightly below the sealing surface of the wall plate (see Fig. 1).