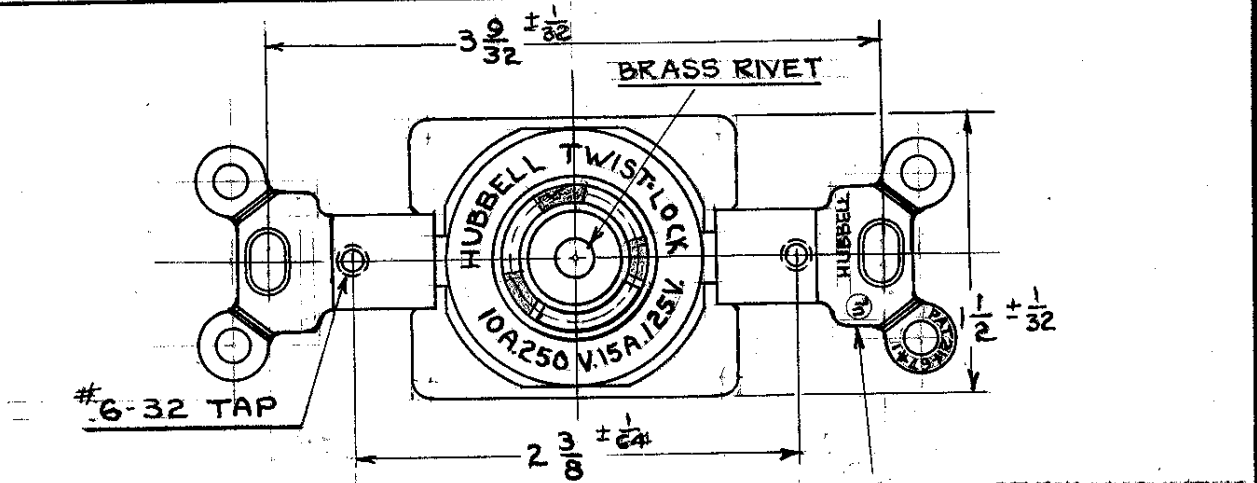


STYLE

MISC. 2680

TITLE DIMENSION SHEET FOR CAT. 7582

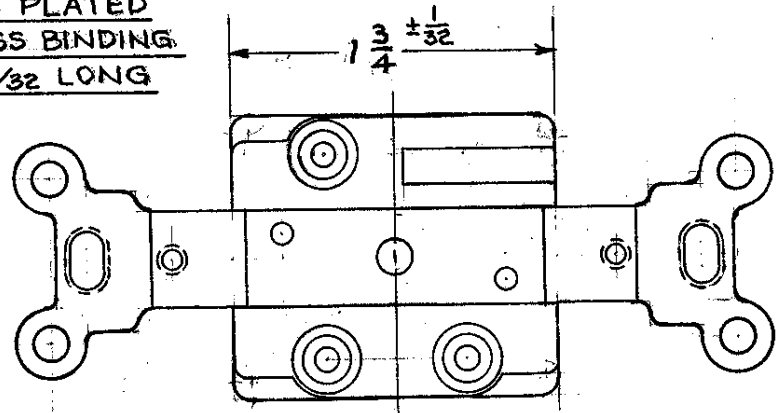
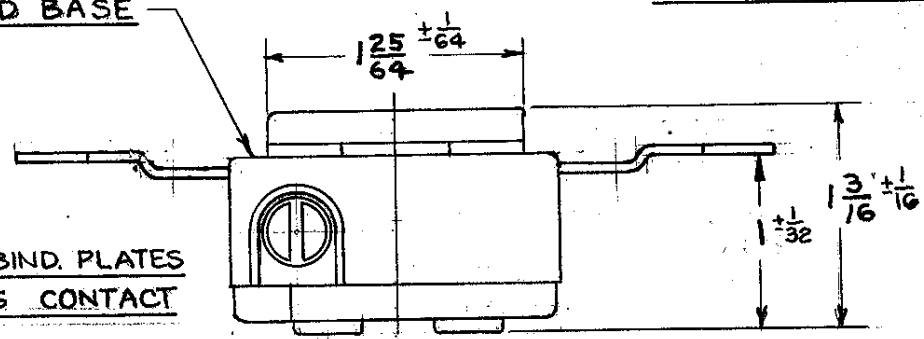
FIRST MADE FOR CAT.



050 C.R. STEEL MOUNTING BRIDGE ZINC PLATED

MOULDED BAKELITE BODY AND BASE

- 031 BRASS BIND. PLATES
- 031 BRASS CONTACT SPRINGS
- 062 C.R. STEEL WIRE CLAMP ZINC PLATED
- #8-32 BRASS BINDING SCREWS $1 \frac{1}{32}$ LONG



USED AS STYLE NO. ON NOS.

USED IN ASSEMBLY NOS.

MATERIAL

DR. BY <u>S.G.</u>	APP. BY <u>CSC</u>
TR. BY	SCALE <u>FULL</u>
CHK'D BY <u>A.S.</u>	DATE <u>8-27-51</u>

HARVEY HUBBELL, INC. BRIDGEPORT, CONN.

4-30-58 TOLERANCES AND SPEC'S. ADDED
SUB(2) 3-4-91 CONTACT SPRINGS WERE BRONZE AJL CSC