

Wallplates  
Weatherproof Covers

# HUBBELL

## Vertical, for FS/FD Box Mounting

### Features

- Meets the most stringent requirements of UL's three listing categories for weatherproof plates
- Yellow polycarbonate spring-loaded lift cover for weather proofing HBL26CM10 receptacle
- Yellow thermoplastic, for FS/FD box mounting, corrosion resistant

### Ordering Information

Description	Color	Catalog Number	UPC
For switches and receptacles with face diameters of 1.55-1.58" (39.4-40.1),	Gray	<b>HBL74CM25WO A</b>	783585809427

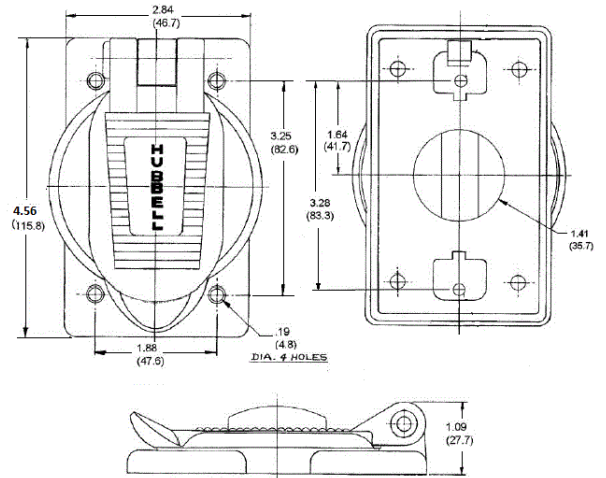


### Listings

UL Listed  
CSA Certified

### Specifications

Material	Thermoplastic
Gasket	Neoprene
Spring	Stainless steel
Hinge Pin	Stainless steel



### Online Resources

Customer Use Drawing  
eCatalog  
Installation Instructions

Dimensions in Inches (mm)

Hubbell Wiring Device-Kellems • Hubbell Incorporated (Delaware) • 40 Waterview Drive • Shelton, CT 06484

Phone (800) 288-6000 • Fax (800) 255-1031 • Specifications subject to change without notice.

