

Wallplates
 Weatherproof Covers for Duplex, GFCI,
 Surge Receptacles and Style Line® Devices

HUBBELL

Ordering Information

Description	Color	Catalog Number	UPC
For horizontal device mounting	Yellow	HBL52CM22	783585809120

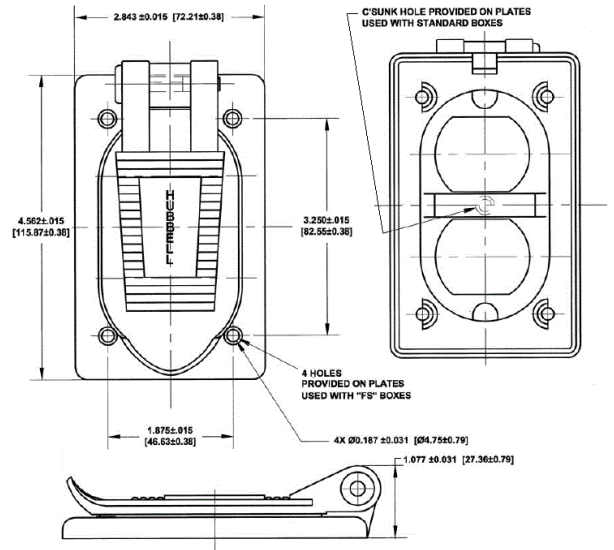


Listings

UL Listed
 CSA Certified

Specifications

Material	Thermoplastic
Spring	Stainless Steel
Gasket	Neoprene



Online Resources

Customer Use Drawing
 eCatalog
 Installation Instructions

Dimensions in Inches (mm)

Hubbell Wiring Device-Kellems • Hubbell Incorporated (Delaware) • 40 Waterview Drive • Shelton, CT 06484

Phone (800) 288-6000 • Fax (800) 255-1031 • Specifications subject to change without notice.

