

Hubbell 4-PLEX™ Receptacles, Adapter Plate, and Portable Box

Wiring and Assembly Instructions

READ INSTRUCTIONS COMPLETELY PRIOR TO INSTALLATION.

GENERAL WIRING INFORMATION:

Notice: For installation only by a qualified electrician in accordance with the National Electrical Code®, Canadian Electrical Code, and local code requirements, and the following instructions.

- **Caution:** Risk of electric shock. Disconnect power before installing. Never wire energized electrical components.
- Attention:** Risque de choc électrique.

Débrancher le circuit avant l'installation. Ne jamais faire les connexions sur circuit vivant.

- **Caution:** Use with copper conductors only. **Attention:** Employer uniquement avec fil de cuivre.
- Binding head terminal screws accept up to #12 AWG solid or stranded conductors. Do not use tinned conductors.
- Refer to NEC® Table 400-5 or CEC Table 12 for ampacity of flexible cords. Use ampacities from

the 60°C column. Portable box accepts cord ranges 16/3SJ to 12/3SO.

- Refer to NEC® Table 310-16 or CEC Table 2 for ampacity of insulated conductors. Use conductors with insulation rated 90°C or higher having sufficient ampacity in accordance with the 60°C column.

NOTE TO INSTALLER: Instructions should be left with end user for future reference.

SURGE SUPPRESSOR RECEPTACLE

Refer to general wiring information (above and below).

Connect this device only to 125 VAC max. grounded branch circuit with listed or certified over-current protection rated 20A max. (U.S.) or at the 4-PLEX current rating (Canada). Inadvertent connection to a higher voltage will damage the device. Disconnection of neutral conductor while circuit is energized on a 125/250 VAC service could produce a damaging higher voltage.

CAUTION: RISK OF ELECTRIC SHOCK. This device is intended for installation on a SINGLE branch circuit (2-wire plus ground) only. **DO NOT** separately wire the outlets of this device to a multi-wire branch circuit (3-wire plus ground).

ATTENTION: RISQUE DE CHOC ÉLECTRIQUE. Ce dispositif est pour un installation sur un

courant SIMPLE (2 fils et mise à la terre) seulement. **NE pas brancher séparément les prises du dispositif sur un à circuit multiple branchements (3 fils et mise à la terre).**

This device may be wired as a feed-thru unit to protect additional outlets on the same circuit.

OPERATION

GREEN-Light Emitting Diode (LED) "ON" indicates that power is on and surge protection is functioning. A faint glow of the red LED is noticeable and indicates LED is functioning and is in a standby condition.

When the green LED light goes out and the red LED is **BRIGHTLY LIT**, the receptacle is no longer able to provide surge protection because of damage caused by large transient surges beyond the receptacle's rating. The receptacle will continue to func-

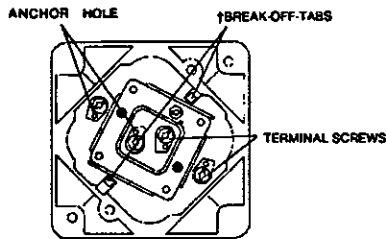
tion without surge protection. Replace the entire unit immediately to restore surge protection.

This device is not a lightning arrestor and lightning may damage the unit.

NOTICE

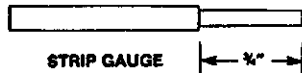
Do not hot wire surge suppressor receptacle – doing so will damage the unit and void warranty. Turn off power to outlet by removing fuse or turning off circuit breaker. If an existing duplex receptacle is being replaced, shut off power to receptacle, confirm that both outlets are not powered by using a test lamp. If both outlets are not powered, proceed to Step 1. If power is present in either outlet, the existing outlet was split-wired. Surge suppressor receptacles cannot be used to replace a split-wired receptacle.

4-PLEX RECEPTACLE

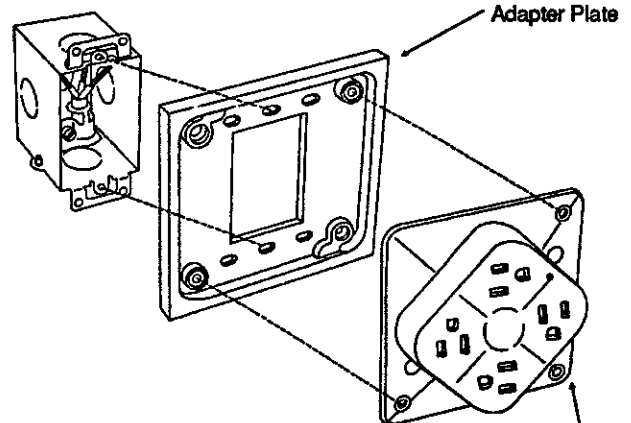


Anchor Hole

BACK VIEW



STRIP GAUGE



(2) Knockouts for optional 4 screw mounting to adapter plate.

† Not accessible or removeable on 4-PLEX receptacles with surge suppression.

1. Mount adapter plate to box using (2) 6-32 x 7/8 inch flat head screws. Position flange side facing box and pull cable through opening in adapter plate.
2. Strip insulation on individual conductors 3/4 inch and wire each to proper terminal; black conductor to brass screw, white conductor to silver screw, green or bare conductor to green grounding screw. Anchor conductor in anchor hole provided and wrap in a counter-clockwise direction. For larger size conductors, form loop and place under head of terminal screw. Tighten terminal screws 10-12 pound-inches (1.2 - 1.4 N-m) in a clockwise direction.

A grounding pigtail is provided to ground receptacle to a metallic box where no grounding con-

ductor is available. (See Step 4 for Isolated Ground installations.)

If box contains additional conductors to feed other receptacles on the same circuit, use remaining terminal screws to connect the conductors. Follow the color code designations above. Consult a qualified electrician if you have any questions concerning the installation of this device. Take extra caution that there are no loose strands.

3. **4-PLEX Without Surge Suppression:** Two break off tabs are provided for split circuit wiring. A and B circuit identification is molded into face of receptacle.

If you control a receptacle or a portion of the receptacle from a wall switch, or if the receptacle has split circuit wiring (two circuits feeding

one receptacle), consult a qualified electrician for proper wiring and installation. Should this situation exist, do not attempt installation without a qualified electrician.

4. **4-PLEX Isolated Ground Installations:** The 4-PLEX may be installed as an "isolated ground" device if a separate insulated equipment grounding wire has been installed from the ground bus at service entrance. When installed this way, the metallic raceway and device box **MUST** be grounded to the normal building ground system and the isolated ground wire **MUST** be connected to the receptacle. The "isolated ground" label **MUST** be placed on the front surface of the 4-PLEX where visible after installation for identification required by the National Electrical Code® Section 410-56(c).

PART WORK 5101-01