

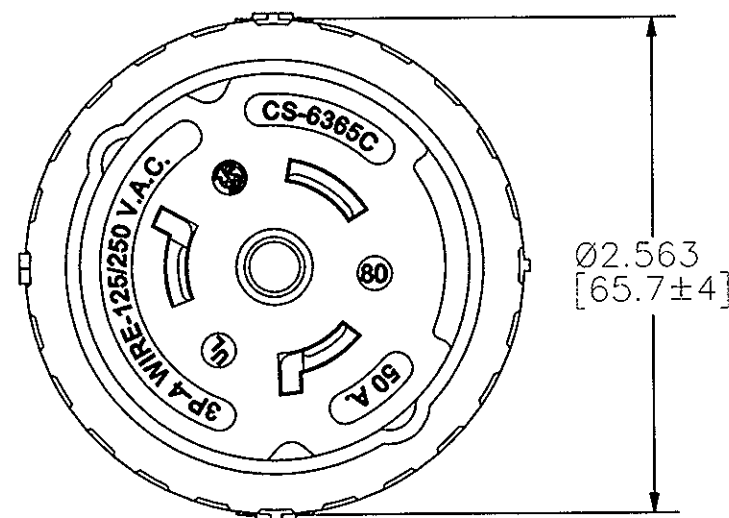
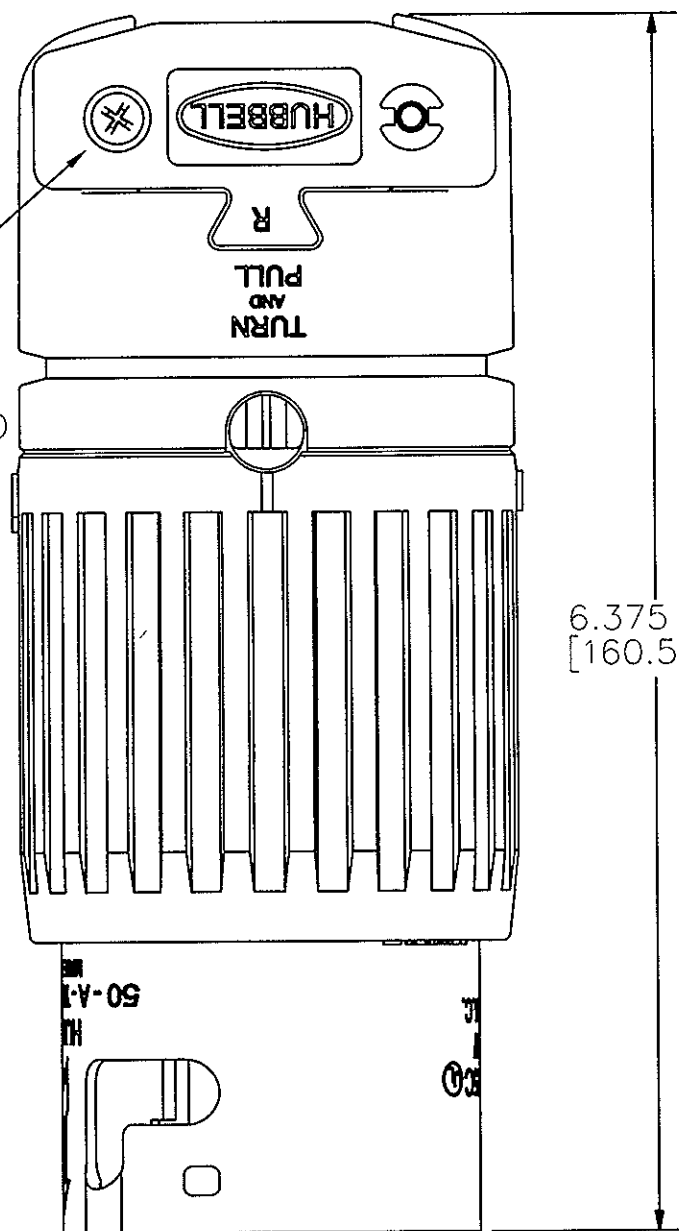
M-6590

9

CAT. NO.	CONFIGURATION	RATING
CS6361C		50A 125V 2-POLE 3-WIRE
CS8265C		50A 250V 2-POLE 3-WIRE
CS8465C		50A 480V 2-POLE 3-WIRE
CS6365C		50A 125/250V 3-POLE 4-WIRE
CS8365C		50A 250V 3 PHASE 3-POLE 4-WIRE
CS8165C		50A 480V 3 PHASE 3-POLE 4-WIRE
HBL3763C		50A 250V 50A 600V 2-POLE 3-WIRE
HBL3765C		50A 250V DC 50A 600V AC 3-POLE 4-WIRE
HBL7765C		50A 250V DC 50A 600V AC 3-POLE 4-WIRE

USE ROUND
CORD TYPES:

S, SO, ST,
8/3-4/4
Ø.83[21.08] TO
Ø1.25[31.75]



LIST OF PARTS

DESCRIPTION	MATERIAL	FINISH
FRONT HOUSING	NYLON	
BLADE HOLDER	POLYESTER	
POWER BLADES	BRASS	
GRD. CONT. SPR.	COPPER NICKEL	
GRD. CONTACT RIVET	BRASS	
SHELL	STAIN ST.	
RETAINER	POLYESTER	
BOX TERMINAL	COPPER	
TERM. SET SCREW	STAIN ST.	
SEAL	NEOPRENE	
SEAL CUP	NYLON	
REAR HOUSING	NYLON	
CORD GRIPS	POLYESTER	
GRIP SCREWS	STAIN ST.	
LATCHES	NYLON	



**CATALOG NO. C6365C
(NOT SHOWN TO SCALE)**

REV	DESCRIPTION	APP	DATE
9	REVISED PER DCN 22024 SPN	DJP <i>DJP</i>	5/19/16
8	REDRAWN WITH EMBEDDED CAD MODEL. WITH NO CHANGES TO PART GEOMETRY. PER DCN 21895 SPN	DJP	2/5/16

THE DESIGN AND DIMENSIONS OF THE
PRODUCT SHOWN ON THIS DRAWING ARE
SUBJECT TO CHANGE WITHOUT NOTICE

TITLE
50A TWIST-LOCK PLUGS
THREE AND FOUR WIRE

TOLERANCES UNLESS
OTHERWISE SPECIFIED

.XX = ± .01
.XXX = ± .005
ANGLES = ± 2'

WIRING DEVICE-KELLEMS
HUBBELL INCORPORATED
SHELTON, CT

DR. BY	SR	APP. BY
TR. BY		SCALE 1:1
CHK. BY		DATE 27/02/2015

DIMENSION SHEET FOR CAT. NO.
SEE TABLE

REPAIRABLE

NON-REPAIRABLE

B

M-6590

9