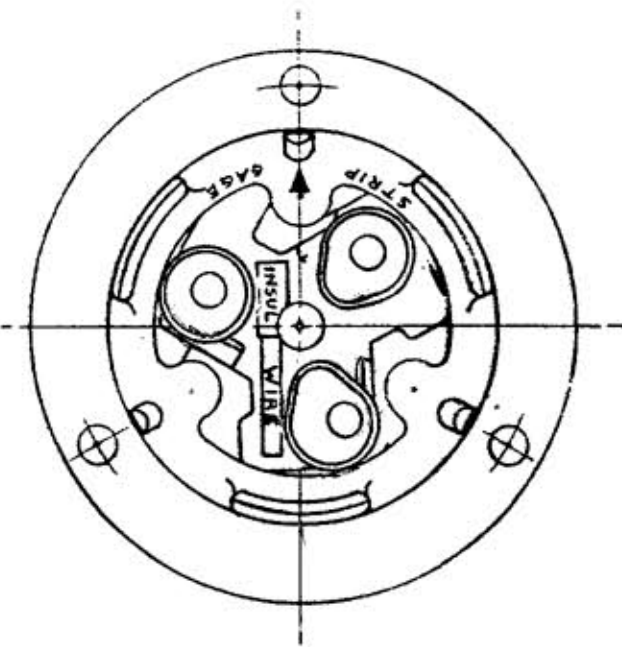
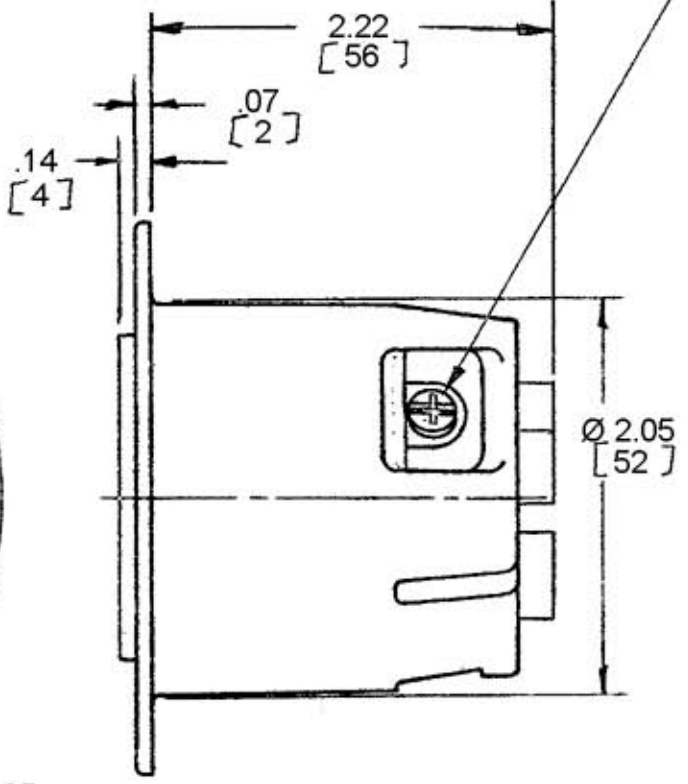
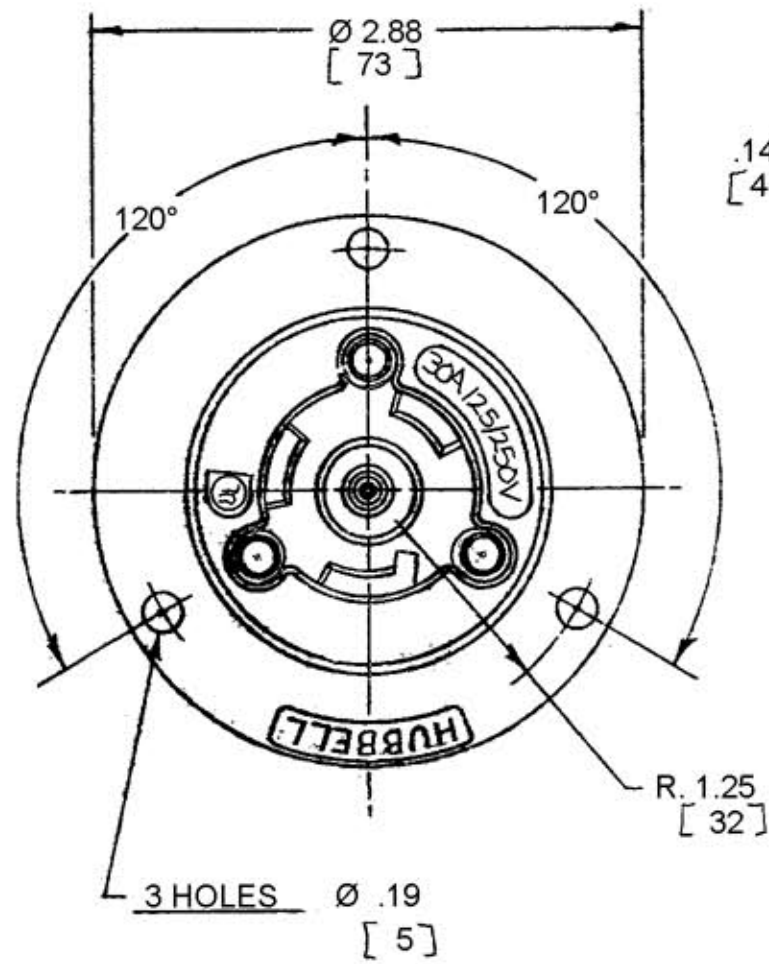


M-5308

7



ALL SCREWS ARE COMBINATION PHILLIPS/SLOTTED ROBERTSON HEAD

LIST OF PARTS

DESCRIPTION	MATERIAL	FINISH
BODY	NYLON	NATURAL
RETAINER	POLYCARBONATE	CLEAR
CASING	NYLON	NATURAL
WIRE CLAMP (3)	.080 C.R.S.	NICKEL PLATE
OUTER SPRING	.040 BRASS	
INNER SPRING	.032 BRASS	
TERMINAL SCREWS	BRASS	1- WHITE 2- BRASS

NO.	DESCRIPTION	APP.	DATE
7	RETAINER MAT. POLY. WAS LEXAN REVISED SCREW NOTE, ADDED HBL- SUFFIX TO CAT NO. MYA PER DCN 8996	CJC	10/12/01
6	NUMEROUS CHANGES, SEE RECORD PRINT PER DCN #114. DJG	JZ	6-14-96
5	REVISED VIEW OF BODY TO AGREE WITH DETAIL R76	WUH	9-19-94
4	UPDATED L.H. VIEW TO SHOW C-BORED HOLES PER DCN #2901. JNXL	EA	7/27/94
3	ADDED RUNNELS 2/32 DIM. WAS 2 3/64 DIM. WAS 5/64 2 3/64 DIM. WAS 2 1/16, WIRE CLAMP FINISH WAS 2 INSP. INNER SPRING WAS 2 INSP.	CJC	1-20-92
2	CASING MATL. WAS LEXAN AIL		
1	RETAINER WAS BLACK CASING WAS GRAY CAT. NO. WAS 3339-C		7-6-72
SYM	REVISIONS	APP	DATE

THE DESIGN AND DIMENSIONS OF THE PRODUCT SHOWN ON THIS DRAWING ARE SUBJECT TO CHANGE WITHOUT NOTICE

TITLE 30A 125/250V 3P-3W  
TWISTLOCK FLANGED  
OUTLET NON-NEMA

TOLERANCES UNLESS OTHERWISE SPECIFIED FRACTIONS ± 1/64 DECIMALS ± .005 ANGLES ± 2°	WIRING DEVICE-KELLEMS HUBBELL INCORPORATED BRIDGEPORT, CT	
	DR. BY KHF	APP. BY
	TR. BY	SCALE FULL
	CHK'D BY	DATE 7-29-71

REPAIRABLE

NON-REPAIRABLE

B

M-5308

7