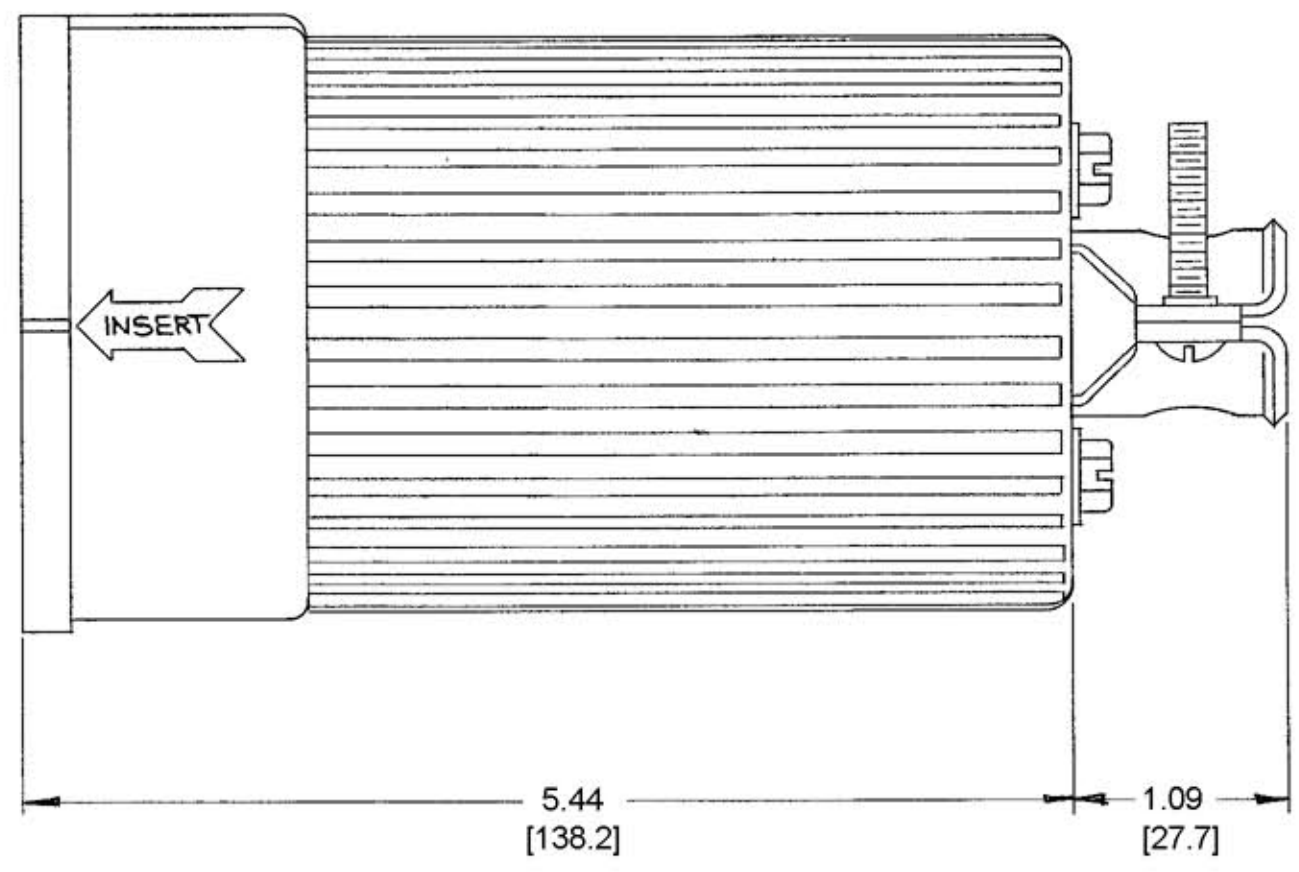
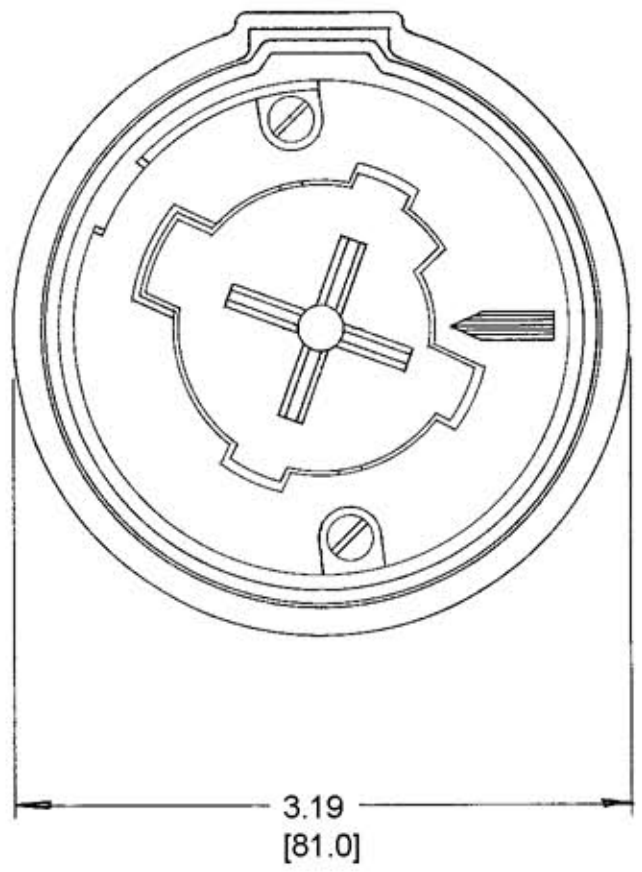


M-4434 5



NOTES:

- 1. WIRE CAPACITY: #8/4 AWG TO #4/4 AWG COPPER WIRE ONLY.
- 2. CORD RANGE: Ø .92 TO 1.45, TYPE "S" OR "SO".
[23.4] [36.8]
- 3. ALL DIMS. TO BE INCHES.
[mm]

CODE 74545

TITLE
60A 600VAC , 3 POLE, 4 WIRE
GROUNDING HUBBELLOCK CONNECTOR

LIST OF PARTS		
DESCRIPTION	MATERIAL	FINISH
INSULATORS	DUREZ	BLACK
BUSHING	RUBBER	
RETAINER COVER	LEXAN	YELLOW
COVER	062 STEEL	ZINC PL.
CORD CLAMPS	.078 C.R.S.	YEL. NYLON COATING
CONTACT SPRINGS	.040 COPPER	
GROUND SHUNT	020 BRASS	
CLAMPS	ALUMINUM	WHITE
CLAMP SCREWS	STEEL	ZINC PL.
CENTER POST	STEEL	ZINC PL.
AUX. SPRING	020 BRONZE	
COIL SPRING	055 ST. WIRE	COPPER PL.

DIMENSION SHEET FOR CAT. NO. HBL26418

REPAIRABLE NON-REPAIRABLE

SYM	REVISIONS	APP	DATE
5	ADDED NOTES 1 THRU 3; "HBL26418" WAS "26418"; CONVERTED ALL DIMENSIONS TO DECIMAL/METRIC; REMOVED "RUBBER GRIP" & "CORD GRIP" CALLOUTS PER DCN 11902 RCM	JPP	1/27/05

B

M-4434

TOLERANCES UNLESS OTHERWISE SPECIFIED		HARVEY HUBBELL, INC.	
		BRIDGEPORT, CONN.	
FRACTIONS ± 1/64	DR. BY D.J.R.	APP. BY	
DECIMALS ± .005	TR. BY	SCALE FULL	
ANGLES ± 2°	CHK'D. BY	DATE 3-2-66	

5