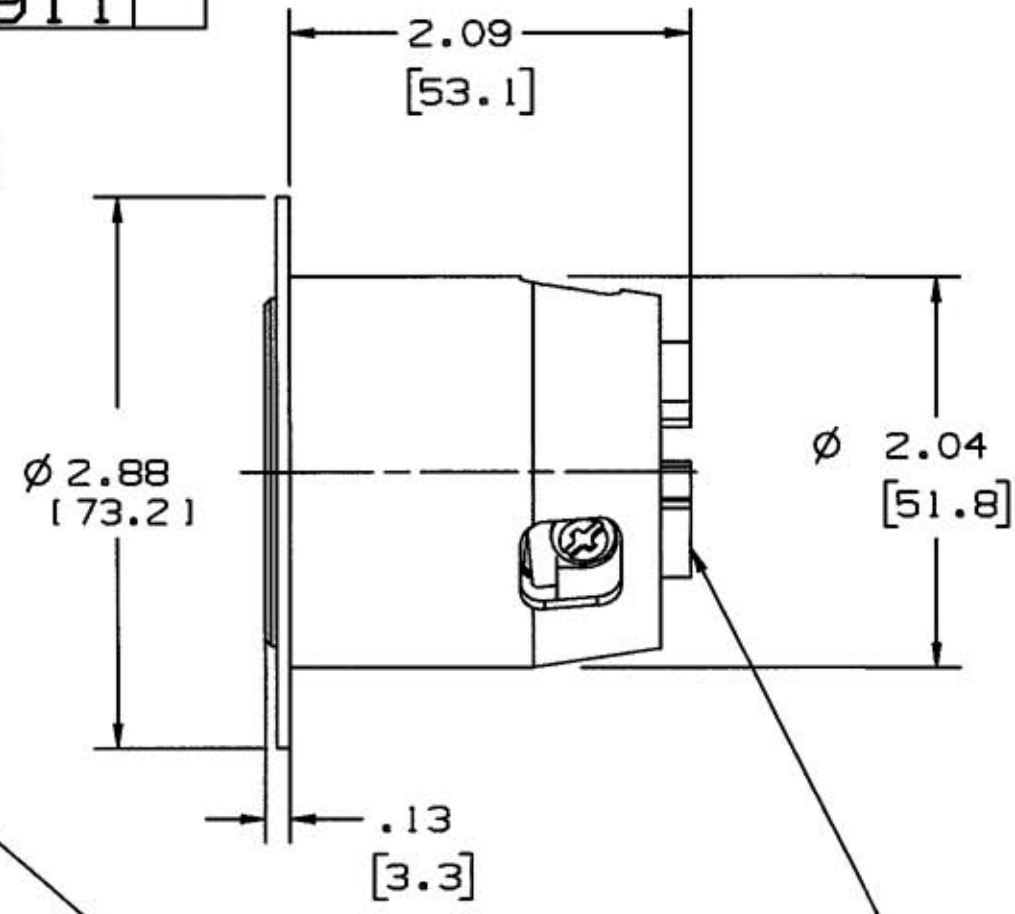
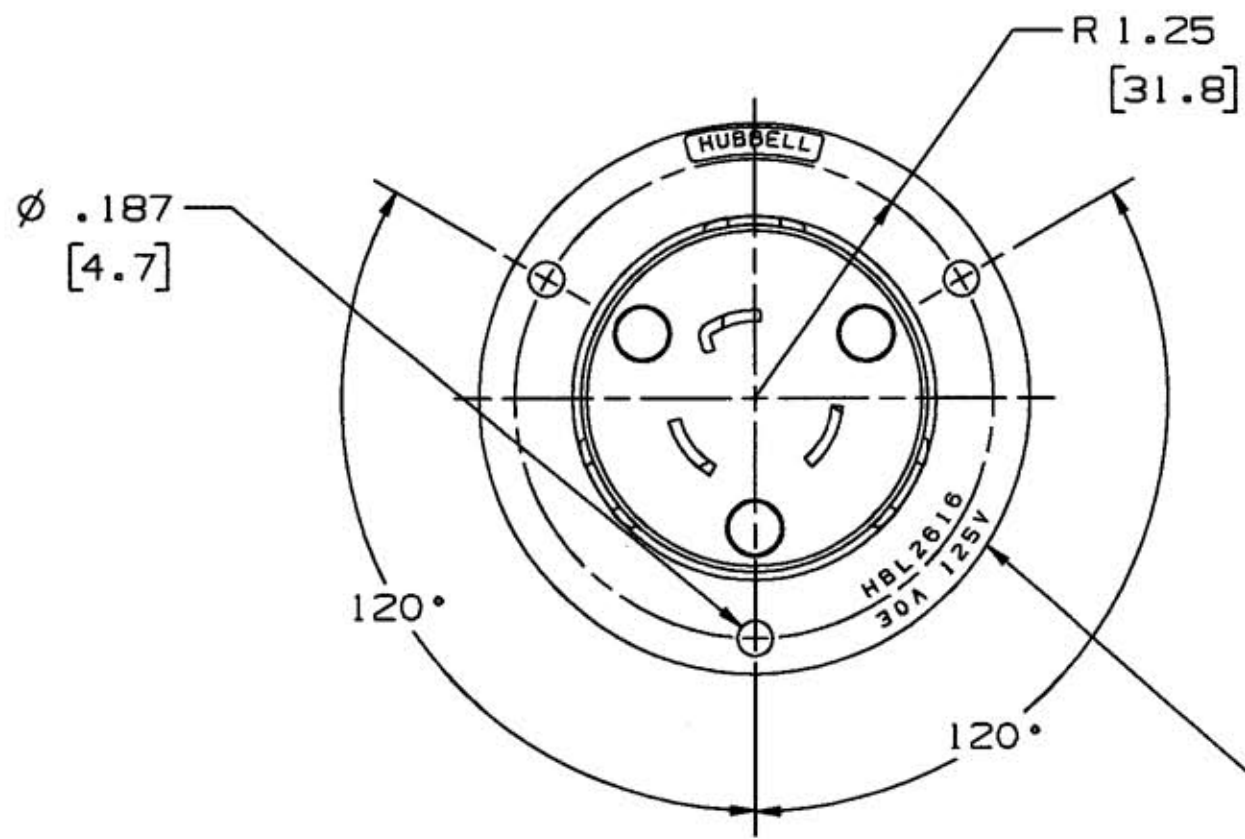


M-7911



CAT NO. & RATING
PRINTED ON FLANGE
COLOR CODE BY
VOLTAGE

TERMINALS WILL ACCEPT
16AWG TO 8AWG WIRE

LEGEND:
IN.
[mm]

NEMA NO.	RATING	POLE/WIRE	CAT NO.	VOLTAGE COLOR CODE
L5-30R	125V	2P/3W GROUNDING	HBL2616	YELLOW
L6-30R	250V	2P/3W GROUNDING	HBL2626	BLUE
L7-30R	277VAC	2P/3W GROUNDING	HBL2636	GRAY
L8-30R	480VAC	2P/3W GROUNDING	HBL2646	RED
L9-30R	600VAC	2P/3W GROUNDING	HBL2656	BLACK

NOTE:
ALL SCREWS ARE COMBINATION ROBERTSON/PHILLIPS/SLOTTED HEAD.

LIST OF PARTS

DESCRIPTION	MATERIAL	FINISH
CASING	NYLON	NATURAL
CONTACT BODY	NYLON	NATURAL
RETAINER	POLY CARBONATE	CLEAR
CONTACTS	.031/.040 BRASS	
WIRE CLAMP	.080 CRS	NICKEL PLATE
#10 TERMINAL SCREWS	BRASS	*
#10 GROUND SCREW	BRASS	GREEN
ASSEMBLY FASTENERS	STEEL	ZINC PLATE
#8 MOUNTING SCREWS	BRASS	NICKEL PLATE

* WHITE FINISH ON NEUTRAL CONTACT
WHEN USED

SYM	REVISIONS	APP	DATE
2	CHGD SCREWS TO TRI-DRIVE PER DCN #7772. AMZ	DB	8/24/00
1	RELEASED PER DCN 5220-13 B.C.	DJP	03/12/98

THE DESIGN AND DIMENSIONS OF THE
PRODUCT SHOWN ON THIS DRAWING ARE
SUBJECT TO CHANGE WITHOUT NOTICE

TITLE
30A 3-WIRE
TWIST-LOCK
FLANGE RECEPTACLE

TOLERANCES UNLESS OTHERWISE SPECIFIED	WIRING DEVICE-KELLEMS HUBBELL INCORPORATED BRIDGEPORT, CT	
FRACTIONS N/A	DR. BY B.C.	APP. BY DJP
DECIMALS N/A	TR. BY	SCALE NONE
ANGLES N/A	CHK'D BY DJP	DATE 03/02/98

DIMENSION SHEET FOR CAT. NO. M-7911
 REPAIRABLE NON-REPAIRABLE