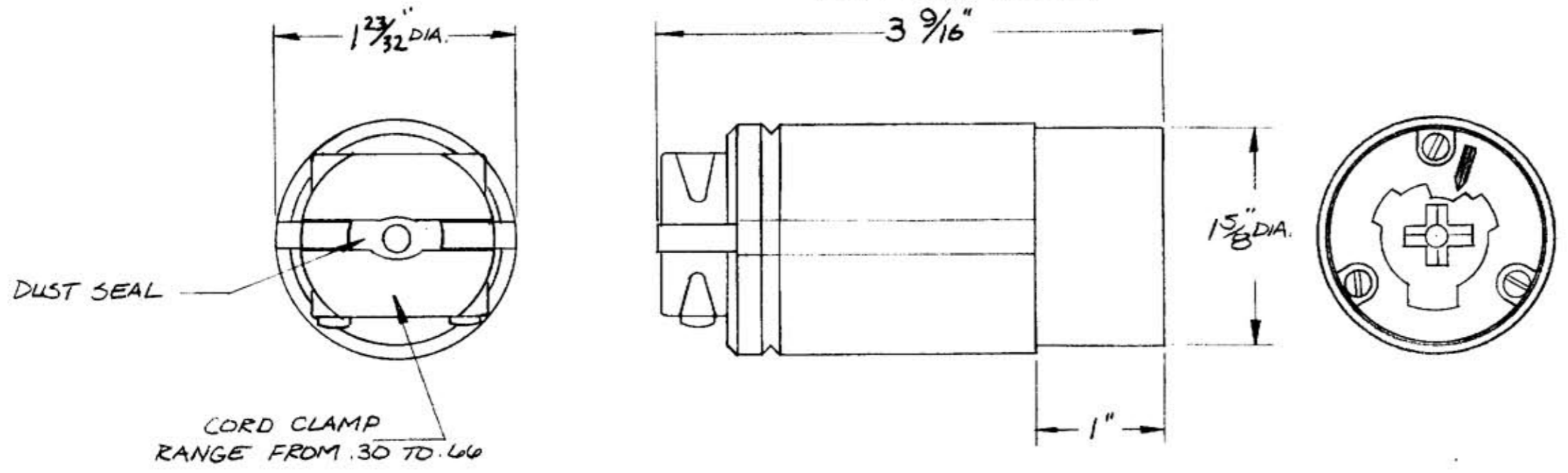


M-6916 1



LIST OF PARTS		
DESCRIPTION	MATERIAL	FINISH
HOUSING	NYLON	BLACK
INTERIOR ASSEMBLY	THERMOSET	BLACK
CONNECTOR SCREWS	STAIN. ST.	
CORD CLAMPS	NYLON	NATURAL
CORD CLAMP SCREWS	STEEL	ZINC PLATE

CAT. NO.	RATING	WIRE	UL	CSA	CONFIGURATION
23002GB	20A 125V 10A 250VDC 480VAC	2P-3W GROUNDING	NO	NO	
23001HGB	20A 125VAC ONLY HOSPITAL ONLY	2P-3W GROUNDING	YES	YES	
23032B	20A 125V	2P-3W GROUNDING	YES	YES	

SYM	REVISIONS	APP	DATE
1	X-REMOVED LAST X-REVISION NO. WAS X-8		8-16-90

THE DESIGN AND DIMENSIONS OF THE PRODUCT SHOWN ON THIS DRAWING ARE SUBJECT TO CHANGE WITHOUT NOTICE.

TITLE  
20 AMP HUBBELLOCK CONNECTOR

TOLERANCES UNLESS OTHERWISE SPECIFIED  
FRACTIONS ± 1/64  
DECIMALS ± .005  
ANGLES ± 2°

WIRING DEVICE DIVISION  
HARVEY HUBBELL, INC.  
BRIDGEPORT, CONN.

DR. BY A.L.L. APP. BY  
TR. BY SCALE Full  
CHK'D. BY DATE 8-16-90

DIMENSION SHEET FOR CAT. NO. SEE CHART

REPAIRABLE  NON-REPAIRABLE

B

M-6916

1