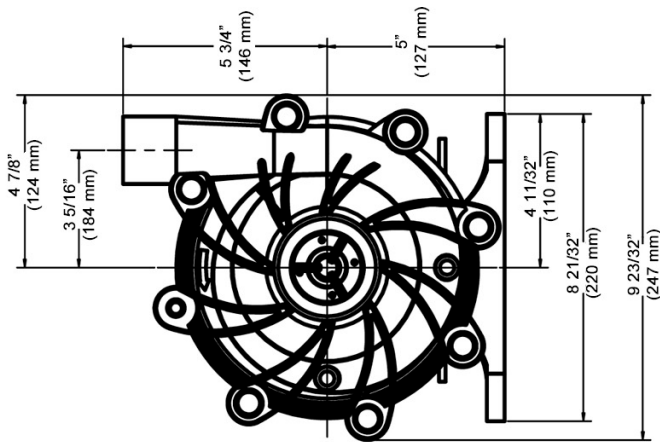
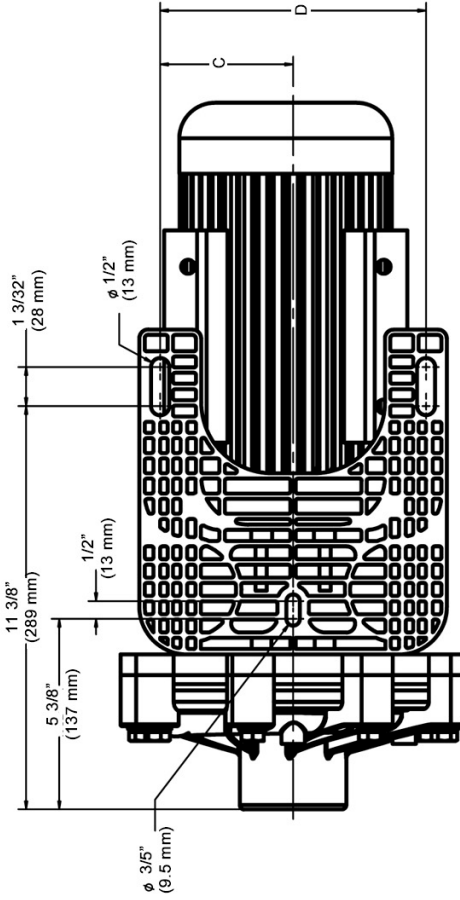
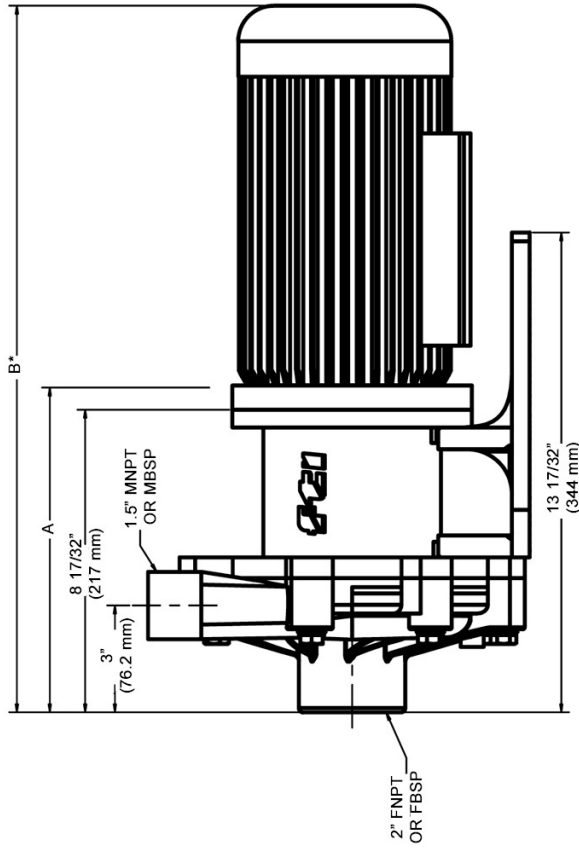


DB11/15 Outline Dimensions - Threaded Housing (R100422)

| REV | DESCRIPTION | DATE | APPROV | TRACK |
|-----|-------------|------|--------|-------|
| | | | | |



NOTE: ALL WEIGHTS ARE ESTIMATED AND FOR REFERENCE ONLY.
 1. PUMP WEIGHT IS ESTIMATED USING POLYPRO FILM COMPONENTS.
 2. DIMENSION DEPENDS UPON MOTOR MANUFACTURER.
 ** MOTOR WEIGHT DEPENDS UPON MOTOR MANUFACTURER AND STYLE OF MOTOR USED.

| PUMP MODEL | MOTOR FRAME | DIM A | DIM B* | DIM C | DIM D | PUMP WT. | MOTOR WT.** |
|------------|--------------|-------------------|-------------------|---------|----------|------------------|----------------|
| DB11/15 | NEMA 56C FR. | 8 7/32" (217mm) | 20 17/32" (521mm) | 3-3/4" | 7-1/2" | 27 lbs (12.2 kg) | 31 lbs (14 kg) |
| DB11/15 | NEMA 145 FR. | 8 17/32" (217mm) | 18 29/32" (480mm) | 3-3/4" | 7-1/2" | 27 lbs (12.2 kg) | 45 lbs (20 kg) |
| DB11/15 | NEMA 184FR. | 9 13/32" (239 mm) | 22 6/32" (564mm) | 3-3/4" | 7-1/2" | 27 lbs (12.2 kg) | 84 lbs (38 kg) |
| DB11/15 | IEC 80 FR. | 9 5/32" (233mm) | 19 11/16" (500mm) | 3-3/4" | 7-1/2" | 27 lbs (12.2 kg) | 35 lbs (16 kg) |
| DB11/15 | IEC 90 FR. | 9 7/32" (234mm) | 21 7/8" (543mm) | 3-3/4" | 7-1/2" | 27 lbs (12.2 kg) | 50 lbs (23 kg) |
| DB11/15 | IEC 100 FR. | 9 7/32" (234mm) | 21 3/8" (543mm) | 3-5/32" | 6-10/32" | 27 lbs (12.2 kg) | 70 lbs (32 kg) |
| DB11/15 | IEC 112 FR. | 9 7/32" (234mm) | 21 7/8" (543mm) | 3-3/4" | 7-1/2" | 27 lbs (12.2 kg) | 88 lbs (40 kg) |

| SELECT CHECKED (SEE NOTE) | UNSELECTED | DESCRIPTION | BLOCK |
|-------------------------------------|--------------------------|------------------------|------------------------|
| <input checked="" type="checkbox"/> | <input type="checkbox"/> | DESIGN | DESIGN |
| <input checked="" type="checkbox"/> | <input type="checkbox"/> | MANUFACTURING | MANUFACTURING |
| <input checked="" type="checkbox"/> | <input type="checkbox"/> | TESTING | TESTING |
| <input checked="" type="checkbox"/> | <input type="checkbox"/> | FIELD SERVICE | FIELD SERVICE |
| <input checked="" type="checkbox"/> | <input type="checkbox"/> | SALES | SALES |
| <input checked="" type="checkbox"/> | <input type="checkbox"/> | MARKETING | MARKETING |
| <input checked="" type="checkbox"/> | <input type="checkbox"/> | FINANCE | FINANCE |
| <input checked="" type="checkbox"/> | <input type="checkbox"/> | LOGISTICS | LOGISTICS |
| <input checked="" type="checkbox"/> | <input type="checkbox"/> | LEGAL | LEGAL |
| <input checked="" type="checkbox"/> | <input type="checkbox"/> | ENVIRONMENTAL | ENVIRONMENTAL |
| <input checked="" type="checkbox"/> | <input type="checkbox"/> | QUALITY CONTROL | QUALITY CONTROL |
| <input checked="" type="checkbox"/> | <input type="checkbox"/> | RESEARCH & DEVELOPMENT | RESEARCH & DEVELOPMENT |
| <input checked="" type="checkbox"/> | <input type="checkbox"/> | TRAINING | TRAINING |
| <input checked="" type="checkbox"/> | <input type="checkbox"/> | OPERATIONS | OPERATIONS |
| <input checked="" type="checkbox"/> | <input type="checkbox"/> | PRODUCT SUPPORT | PRODUCT SUPPORT |
| <input checked="" type="checkbox"/> | <input type="checkbox"/> | SALES SUPPORT | SALES SUPPORT |
| <input checked="" type="checkbox"/> | <input type="checkbox"/> | OTHER | OTHER |

DB11/15
 OUTLINE DIMENSIONAL
 R100422
 1 OF 1