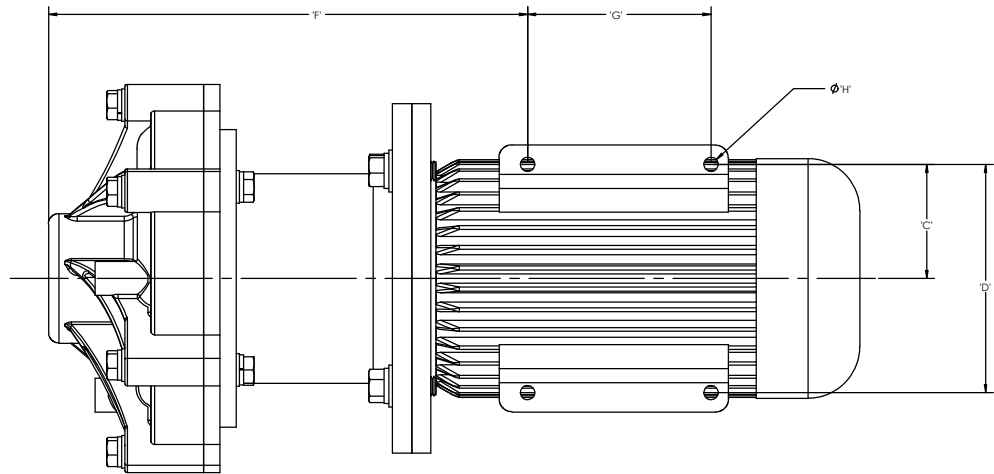
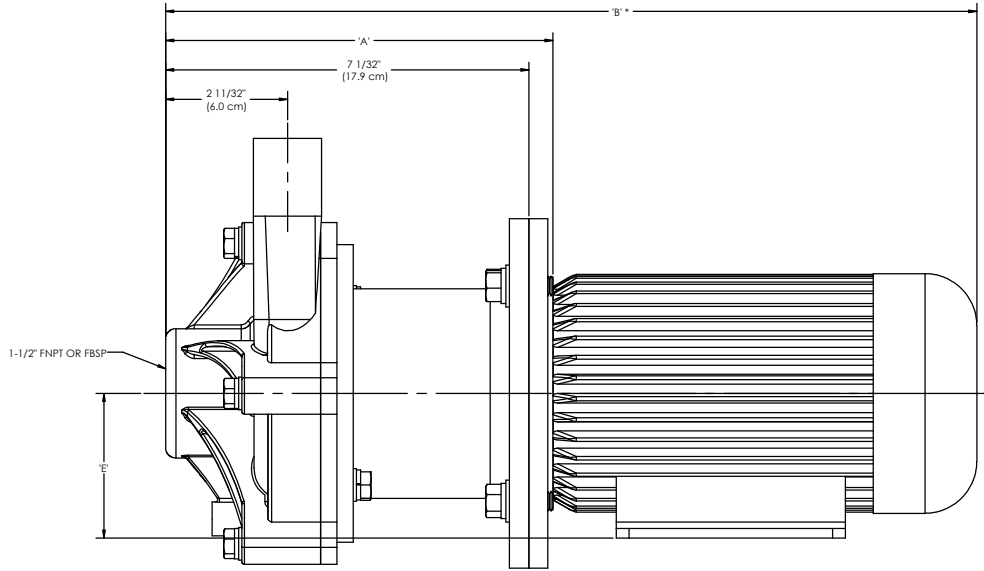
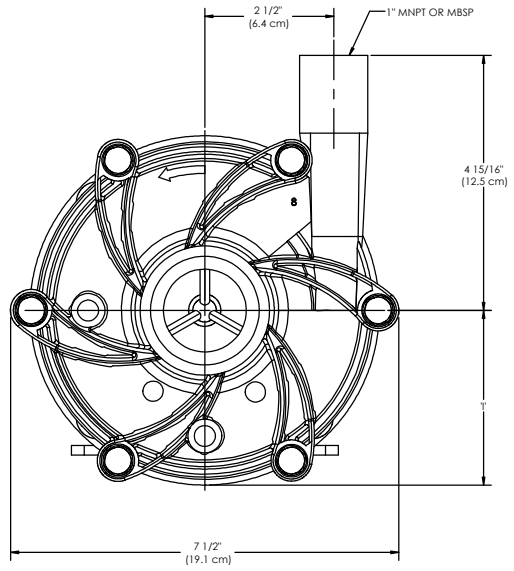


REVISIONS				
REV	DESCRIPTION	DATE	APPRD	TRACK



NOTES:  
 1. DIMENSIONS AND WEIGHTS ARE TO BE USED FOR REFERENCE ONLY  
 2. PUMP WEIGHT IS ESTIMATED USING POLYPROPYLENE PUMP COMPONENTS

\*. DIMENSION DEPENDS UPON MOTOR MANUFACTURER  
 \*\*. MOTOR WEIGHT DEPENDS UPON MOTOR MANUFACTURER AND STYLE OF MOTOR CHOSEN

PUMP MODEL	MOTOR FRAME	DIM 'A'	DIM 'B'	DIM 'C'	DIM 'D'	DIM 'E'	DIM 'F'	DIM 'G'	DIA 'H'	DIM 'I'	PUMP WT	MOTOR WT **
DB8	NEMA 56C	7-1/32" (17.9 CM)	17-9/32" (43.9 CM)	2-7/16" (6.2 CM)	4-7/8" (12.4 CM)	3-1/2" (8.9 CM)	9-25/32" (24.8 CM)	3" (7.6 CM)	11/32" (0.9 CM)	3-3/8" (8.6 CM)	10.5 LBS (4.8 KG)	28 LBS (12.7 KG)
DB8	NEMA 145TC	7-1/32" (17.9 CM)	17-25/32" (45.2 CM)	2-3/4" (7.0 CM)	5-1/2" (14.0 CM)	3-1/2" (8.9 CM)	9-21/32" (24.5 CM)	5" (12.7 CM)	11/32" (0.9 CM)	3-3/8" (8.6 CM)	10.5 LBS (4.8 KG)	32 LBS (14.5 KG)
DB8	IEC 83- B14 OR BS FLANGE	7-15/32" (19.0 CM)	14-23/32" (37.4 CM)	1-31/32" (5.0 CM)	3-15/16" (10.0 CM)	2-15/32" (6.9 CM)	9-1/16" (23.0 CM)	3-5/32" (8.0 CM)	9/32" (0.7 CM)	3-3/8" (8.6 CM)	14.0 LBS (6.4 KG)	17 LBS (7.7 KG)
DB8	IEC 71- B14 OR BS FLANGE	7-15/32" (19.0 CM)	15-21/32" (39.8 CM)	2-7/32" (5.6 CM)	4-13/32" (11.2 CM)	2-25/32" (7.1 CM)	9-1/4" (23.5 CM)	3-17/32" (8.0 CM)	9/32" (0.7 CM)	3-3/8" (8.6 CM)	14.0 LBS (6.4 KG)	22 LBS (10.0 KG)
DB8	IEC 80- B14	7-21/32" (19.4 CM)	17-5/32" (43.8 CM)	2-15/32" (6.3 CM)	4-29/32" (12.5 CM)	3-5/32" (8.0 CM)	9-9/16" (24.3 CM)	3-15/16" (10.0 CM)	13/32" (1.0 CM)	3-3/8" (8.6 CM)	11.0 LBS (5.0 KG)	31 LBS (14.1 KG)
DB8	IEC 80- B5	7-21/32" (19.4 CM)	17-5/32" (43.6 CM)	2-15/32" (6.3 CM)	4-29/32" (12.5 CM)	3-5/32" (8.0 CM)	9-9/16" (24.3 CM)	3-15/16" (10.0 CM)	13/32" (1.0 CM)	3-15/16" (10.0 CM)	16.5 LBS (7.5 KG)	31 LBS (14.1 KG)

UNLESS OTHERWISE SPECIFIED		DISTRIBUTION BLOCK				BY SPRINGFIELD ROAD 100 SPRINGFIELD ROAD MILFORD, MASSACHUSETTS 01860		PHONE (617) 455-4474 FAX (617) 455-8918	
QUANTITY	UNIT	DEPT	RECD	DEPT	RECD	DATE	TIME	DATE	TIME
		PUMP ASSM		MACHOP					
		STEL ASSM		PURCH					
		WELD SHOP		SALES	X				
				ADM					
SIGNATURE	DATE	MACHOP		ADM					
DRAWN C.M.B.	3/2/07	MACHOP		ADM					
INSP.		MACHOP		ADM					
DO NOT SCALE DRAWING		DO NOT MANUALLY UPDATE							
						THIRD ANGLE PROJECTION			
						SCALE: 1:1.2		SHEET 1 OF 1	
						PROJECT: R100506			
						REV: 0			