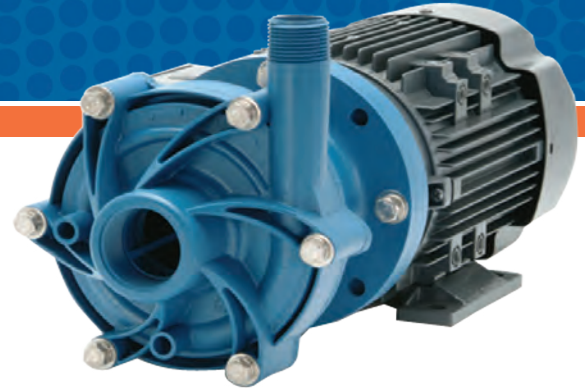


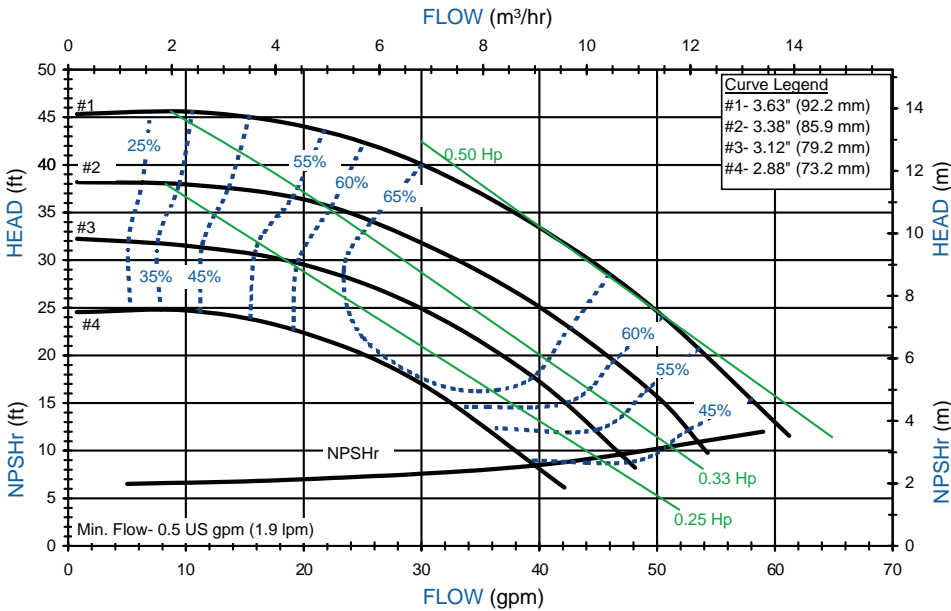


# DB SERIES

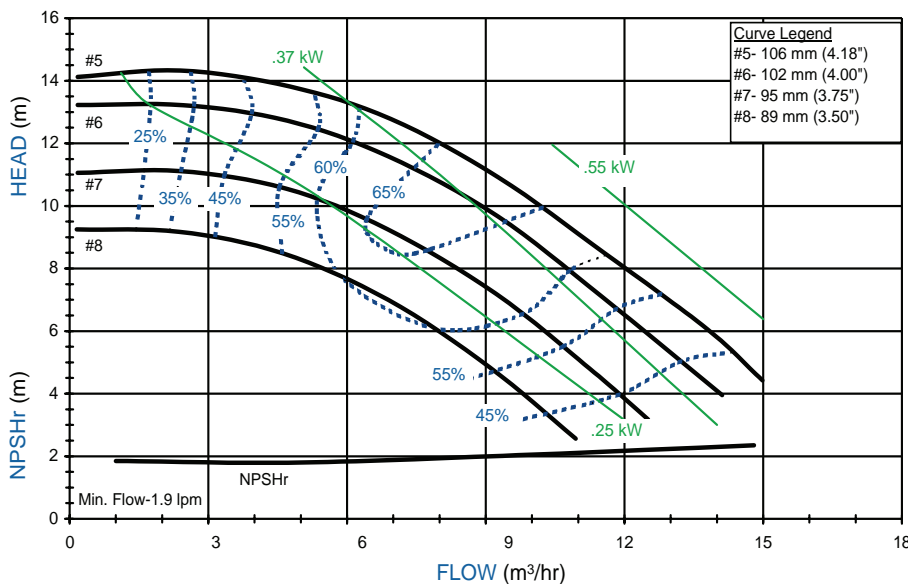
## MODEL DB8



### DB8 PERFORMANCE 3450 RPM



### DB8 PERFORMANCE 2900 RPM



## FEATURES & CAPABILITIES

- + Five-year warranty
- + Extended run dry ability (with carbon bushing)
- + High operating efficiency
- + Polypropylene or PVDF construction
- + Powerful neodymium magnets
- + Close-coupled design
- + Threaded (NPT or BSP), flanged, or union connections
- + Horizontal or vertical installation with IEC motor
- + Back pullout design
- + Mounts to NEMA and IEC (B5 & B14) motor frames
- + Easy set measurement free drive
- + ISO 1940 G2.5 balancing
- + CE certified/ATEX available
- + Working pressure to 80 psi (5.5 bar)
- + Specific gravity over 1.8
- + Viscosity up to 150 cP
- + Polypropylene—180° F (82° C)
- + PVDF—220° F (104° C)

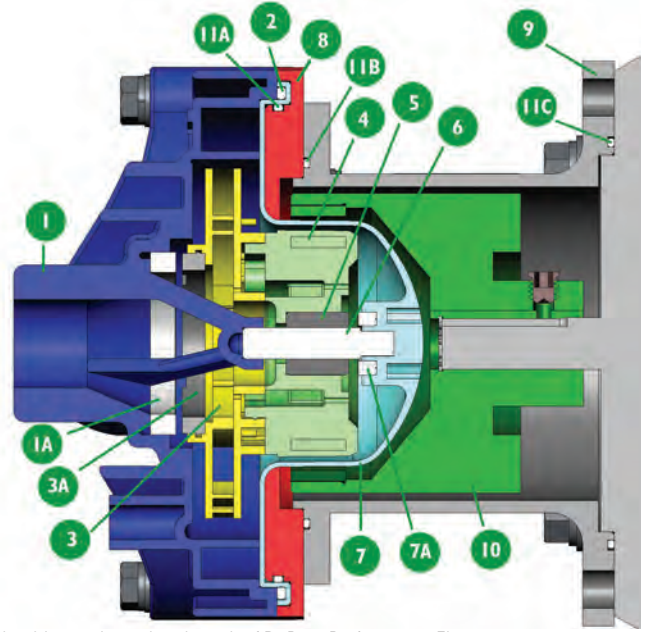
## APPLICATIONS

- + Chemical processing
- + Plating
- + Water and wastewater
- + Electronics
- + Pharmaceuticals
- + Wet scrubber
- + Pulp and paper
- + Heat exchanger
- + and many more!

# DB SERIES

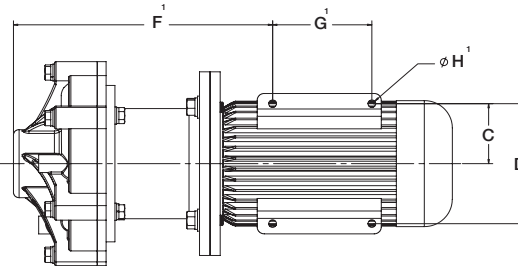
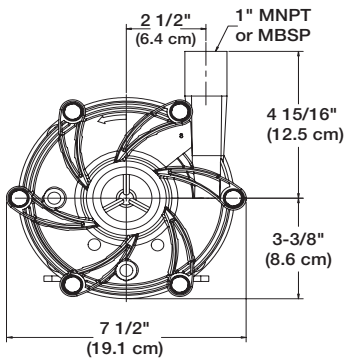
## Specifications

Description	Polypropylene	PVDF
1 Impeller housing	Glass-fiber reinforced polypropylene (GF PP)	Carbon-fiber reinforced PVDF (CF PVDF)
1A Impeller housing thrust ring	High purity alumina ceramic or silicon carbide (SiC)	
2 O-ring	FKM, EPDM, Simriz®, or Kalrez	
3 Impeller	GF PP	CF PVDF
3A Impeller thrust ring	GF molybdenum disulfide filled PTFE, or SiC	
4 Inner drive	Neodymium iron boron magnets encapsulated in unfilled polypropylene	Neodymium iron boron magnets encapsulated in unfilled PVDF
5 Bushing	Carbon, PTFE, high purity alumina ceramic, or SiC	
6 Shaft	High purity alumina ceramic, Hastelloy® C, or SiC	
7 Barrier	GF PP	CF PVDF
7A Barrier thrust ring	Silicon carbide	
8 Clamp ring	Ductile iron	
9 Motor adapter	GF PP	
10 Outer drive magnets	Nickel-plated neodymium iron boron magnets/ steel	
11A Motor adapter sealing kit (NEMA only)	Buna N, FKM, or EPDM	
11B		
11C		

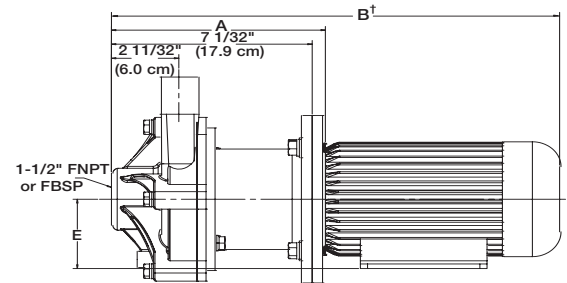


Kalrez® is a registered trademark of DuPont Performance Elastomers  
 Simriz® Perfluoroelastomer is a registered trademark of the Simrit® division of Freudenberg-NOK  
 Hastelloy® C is a registered trademark of Haynes International, Inc.

## Dimensions



Also available 1-1/2" x 1" 150 lb. ANSI/ISO PN20/PN40/JIS 10K or 50mm x 32mm union connection. Flanges are in compliance with bolting dimensions only.



¹Dimensions for F, G, and H can be found in the Outline Dimensions booklet in the Resources section of [www.finishthompson.com](http://www.finishthompson.com).

Motor Frame	A	B <sup>†</sup>	C	D	E	lbs. [kg] PP	lbs. [kg] PVDF
NEMA 56C	7-3/32" [18.0 cm]	17-11/32" [44.1 cm]	2-7/16" [6.2 cm]	4-7/8" [12.4 cm]	3-1/2" [8.9 cm]	10.5 [4.8]	11.1 [5.0]
NEMA 145TC	7-3/32" [18.0 cm]	17-27/32" [45.3 cm]	2-3/4" [7.0 cm]	5-1/2" [14.0 cm]	3-1/2" [8.9 cm]	10.5 [4.8]	11.1 [5.0]
IEC 63 w/B14 or B5	7-17/32" [19.1 cm]	14-25/32" [37.5 cm]	1-31/32" [5.0 cm]	3-15/16" [10.0 cm]	2-15/32" [6.3 cm]	14.0 [6.4]	15.0 [6.8]
IEC 71 w/B14 or B5	7-17/32" [19.1 cm]	15-23/32" [39.9 cm]	2-7/32" [5.6 cm]	4-13/32" [11.2 cm]	2-25/32" [7.1 cm]	14.0 [6.4]	15.0 [6.8]
IEC 80 w/B14 or B5	7-23/32" [19.6 cm]	17-7/32" [43.7 cm]	2-15/32" [6.3 cm]	4-29/32" [12.5 cm]	3-5/32" [8.0 cm]	11.0 [5.0]	12.0 [5.4]

Dimensions and weights are for reference only. Weights listed are for pump only; motor not included.

†Varies with motor manufacturer.



**FINISH THOMPSON INC. - HEADQUARTERS**  
 921 Greengarden Road | Erie, PA 16501  
 800.934.9384 | ph 814.455.4478 | fx 814.455.8518  
 email [fti@finishthompson.com](mailto:fti@finishthompson.com)

**FINISH THOMPSON INC. - EUROPE CENTER**  
 Otto-Hahn-Strasse 16 | Maintal, D-63477 Germany  
 49 (0)6181-90878-0 | fx 49 (0)6181-90878-18  
 email [fti@finishthompson.com](mailto:fti@finishthompson.com)