

# DEWALT®



**Instruction Manual  
Guide D'utilisation  
Manual de instrucciones**

## **DWE46152**

**5" (125 mm) Concrete Surface Grinding Shroud**

**5" (125 mm) Carter d'aspiration pour meuleuses de finition du béton**

**5" (125 mm) Cubierta protectora para esmerilado de superficies  
de concreto**

**[www.DEWALT.com](http://www.DEWALT.com)**

**If you have questions or comments, contact us.  
Pour toute question ou tout commentaire, nous contacter.  
Si tiene dudas o comentarios, contáctenos.**

**1-800-4-DEWALT**

**ENGLISH**

---

English (***original instructions***) 1

---

Français (*traduction de la notice d'instructions originale*) 8

---

Español (*traducido de las instrucciones originales*) 16

---

## Definitions: Safety Alert Symbols and Words

This instruction manual uses the following safety alert symbols and words to alert you to hazardous situations and your risk of personal injury or property damage.



**DANGER:** Indicates an imminently hazardous situation which, if not avoided, **will** result in **death or serious injury**.



**WARNING:** Indicates a potentially hazardous situation which, if not avoided, **could** result in **death or serious injury**.



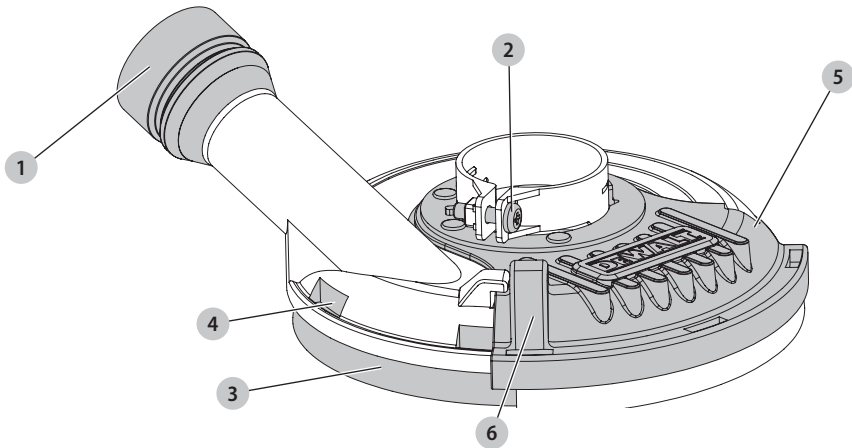
**CAUTION:** Indicates a potentially hazardous situation which, if not avoided, **may** result in **minor or moderate injury**.



(Used without word) Indicates a safety related message.

**NOTICE:** Indicates a practice **not related to personal injury** which, if not avoided, **may** result in **property damage**.

Fig. A



- 1 Dust port
- 2 Clamp adjusting screw
- 3 Replaceable brush skirt
- 4 Brush skirt removal hole
- 5 Edging door
- 6 Edging door tab



**WARNING! Read all safety warnings and all instructions.** Failure to follow the warnings and instructions may result in electric shock, fire and/or serious injury.



**WARNING:** To reduce the risk of injury, read the instruction manual.

If you have any questions or comments about this or any DeWALT tool, call us toll free at: 1-800-4-DeWALT (1-800-433-9258).

## GENERAL POWER TOOL SAFETY WARNINGS



**WARNING! Read all safety warnings and all instructions.** Failure to follow the warnings and instructions may result in electric shock, fire and/or serious injury.

### SAVE ALL WARNINGS AND INSTRUCTIONS FOR FUTURE REFERENCE

The term "power tool" in the warnings refers to your mains-operated (corded) power tool or battery-operated (cordless) power tool.

#### 1) Work Area Safety

- a) **Keep work area clean and well lit.** Cluttered or dark areas invite accidents.
- b) **Do not operate power tools in explosive atmospheres, such as in the presence of flammable liquids, gases or dust.** Power tools create sparks which may ignite the dust or fumes.
- c) **Keep children and bystanders away while operating a power tool.** Distractions can cause you to lose control.

#### 2) Electrical Safety


- a) **Power tool plugs must match the outlet. Never modify the plug in any way. Do not use any adapter plugs with earthed (grounded) power tools.** Unmodified plugs and matching outlets will reduce risk of electric shock.
- b) **Avoid body contact with earthed or grounded surfaces such as pipes, radiators, ranges and refrigerators.** There is an increased risk of electric shock if your body is earthed or grounded.
- c) **Do not expose power tools to rain or wet conditions.** Water entering a power tool will increase the risk of electric shock.
- d) **Do not abuse the cord. Never use the cord for carrying, pulling or unplugging the power tool. Keep cord away from heat, oil, sharp edges or moving parts.** Damaged or entangled cords increase the risk of electric shock.
- e) **When operating a power tool outdoors, use an extension cord suitable for outdoor use.** Use of a cord suitable for outdoor use reduces the risk of electric shock.
- f) **If operating a power tool in a damp location is unavoidable, use a ground fault circuit interrupter (GFCI) protected supply.** Use of a GFCI reduces the risk of electric shock.

#### 3) Personal Safety

- a) **Stay alert, watch what you are doing and use common sense when operating a power tool. Do not use a power tool while you are tired or under the influence of drugs, alcohol or medication.** A moment of inattention while operating power tools may result in serious personal injury.

- b) **Use personal protective equipment. Always wear eye protection.** Protective equipment such as dust mask, non-skid safety shoes, hard hat, or hearing protection used for appropriate conditions will reduce personal injuries.
- c) **Prevent unintentional starting. Ensure the switch is in the off position before connecting to power source and/or battery pack, picking up or carrying the tool.** Carrying power tools with your finger on the switch or energizing power tools that have the switch on invites accidents.
- d) **Remove any adjusting key or wrench before turning the power tool on.** A wrench or a key left attached to a rotating part of the power tool may result in personal injury.
- e) **Do not overreach. Keep proper footing and balance at all times.** This enables better control of the power tool in unexpected situations.
- f) **Dress properly. Do not wear loose clothing or jewelry. Keep your hair, clothing and gloves away from moving parts.** Loose clothes, jewelry or long hair can be caught in moving parts.
- g) **If devices are provided for the connection of dust extraction and collection facilities, ensure these are connected and properly used.** Use of dust collection can reduce dust-related hazards.

#### 4) Power Tool Use and Care

- a) **Do not force the power tool. Use the correct power tool for your application.** The correct power tool will do the job better and safer at the rate for which it was designed.
-  **WARNING:** The use of any accessory or attachment or performance of any operation with this tool, other than those recommended in this instruction manual may present a risk of personal injury.
- b) **Do not use the power tool if the switch does not turn it on and off.** Any power tool that cannot be controlled with the switch is dangerous and must be repaired.
  - c) **Disconnect the plug from the power source and/or the battery pack from the power tool before making any adjustments, changing accessories, or storing power tools.** Such preventive safety measures reduce the risk of starting the power tool accidentally.
  - d) **Store idle power tools out of the reach of children and do not allow persons unfamiliar with the power tool or these instructions to operate the power tool.** Power tools are dangerous in the hands of untrained users.
  - e) **Maintain power tools. Check for misalignment or binding of moving parts, breakage of parts and any other condition that may affect the power tool's operation. If damaged, have the power tool repaired before use.** Many accidents are caused by poorly maintained power tools.

- f) **Keep cutting tools sharp and clean.** Properly maintained cutting tools with sharp cutting edges are less likely to bind and are easier to control.
- g) **Use the power tool, accessories and tool bits, etc. in accordance with these instructions, taking into account the working conditions and the work to be performed.** Use of the power tool for operations different from those intended could result in a hazardous situation.

## 5) Service

- a) **Have your power tool serviced by a qualified repair person using only identical replacement parts.** This will ensure that the safety of the power tool is maintained.

## Surface Grinding Shroud Safety Rules

- **The shroud must be securely attached to the power tool and positioned for maximum safety, so the least amount of wheel is exposed towards the operator.**  
The shroud is designed to collect dust and help protect the operator from accidental contact with the wheel.
- **Do not use accessories which are not specifically designed and recommended by the tool manufacturer.** Just because the accessory can be attached to your power tool, it does not assure safe operation.
- **Only use dry diamond surface cup wheels with this surface grinding shroud.** The surface grinding shroud is not intended to be used with standard grinding, cut-off, cup wheels or wire brushes.
- **The rated speed of the accessory must be at least equal to the maximum speed marked on the power tool.** Accessories running faster than their rated speed can break and fly apart.
- **Hold power tool by insulated gripping surfaces only, when performing an operation where the cutting accessory may contact hidden wiring or its own cord.** Cutting accessory contacting a "live" wire may make exposed metal parts of the power tool "live" and shock the operator.
- **Always use side or bail handle. Tighten the handle securely.** The handle should always be used to maintain control of the tool at all times.
- **Do not use a damaged accessory. Before each use inspect the accessory such as diamond wheel for chips and cracks, backing pad for cracks and tear or excess wear. If power tool or accessory is dropped, inspect for damage or install an undamaged accessory. After inspecting and installing an accessory, position yourself and bystanders away from the plane of the rotating accessory and run the power tool at maximum no-load speed for one minute.** Damaged accessories will normally break apart during this test time.
- **When starting the tool with a new or replacement wheel, hold the tool in a well protected area and let it run for one minute.** If the wheel has an undetected crack or flaw, it should burst in less than one minute.

Never start the tool with a person in line with the wheel. This includes the operator.

- **Wear personal protective equipment. Depending on application, use face shield, safety goggles or safety glasses. As appropriate, wear dust mask, hearing protectors, gloves and workshop apron capable of stopping small abrasive or workpiece fragments.** The eye protection must be capable of stopping flying debris generated by various operations. The dust mask or respirator must be capable of filtering particles generated by your operation. Prolonged exposure to high intensity noise may cause hearing loss.
- **Position the cord clear of the spinning accessory.** If you lose control, the cord may be cut or snagged and your hand or arm may be pulled into the spinning accessory.
- **Never lay the power tool down until the accessory has come to a complete stop.** The spinning accessory may grab the surface and pull the power tool out of your control.
- **Do not run the power tool while carrying it at your side.** Accidental contact with the spinning accessory could snag your clothing, pulling the accessory into your body.
- **Regularly clean the power tool's air vents.** The motor's fan will draw the dust inside the housing and excessive accumulation of powdered metal may cause electrical hazards.
- **Do not operate the power tool near flammable materials.** Sparks could ignite these materials.
- **Do not use accessories that require liquid coolants.** Using water or other liquid coolants may result in electrocution or shock.
- **DO NOT use wire brushes with this surface grinding shroud.**
- **DO NOT use abrasive wheels.**
- **DO NOT grind or cut metal with a diamond cup wheel.** Fragments could loosen and fly apart.
- **ALWAYS use with a dust collector.**



**WARNING:** When not in use, place grinder on a stable surface where it will not move inadvertently, roll or cause a tripping or falling hazard. Serious personal injury may result.

## Additional Safety Information



**WARNING:** ALWAYS use safety glasses. Everyday eyeglasses are NOT safety glasses. Also use face or dust mask if cutting operation is dusty. ALWAYS WEAR CERTIFIED SAFETY EQUIPMENT:

- ANSI Z87.1 eye protection (CAN/CSA Z94.3),
- ANSI S12.6 (S3.19) hearing protection,
- NIOSH/OSHA/MSHA respiratory protection.



**WARNING:** Some dust created by power sanding, sawing, grinding, drilling, and other construction activities contains chemicals known to the State of California to cause cancer, birth defects or other reproductive harm. Some examples of these chemicals are:

## ENGLISH

- lead from lead-based paints,
- crystalline silica from bricks and cement and other masonry products, and
- arsenic and chromium from chemically-treated lumber.

Your risk from these exposures varies, depending on how often you do this type of work. To reduce your exposure to these chemicals: work in a well ventilated area, and work with approved safety equipment, such as those dust masks that are specially designed to filter out microscopic particles.

- **Avoid prolonged contact with dust from power sanding, sawing, grinding, drilling, and other construction activities. Wear protective clothing and wash exposed areas with soap and water.** Allowing dust to get into your mouth, eyes, or lay on the skin may promote absorption of harmful chemicals.



**WARNING:** Use of this tool can generate and/or disperse dust, which may cause serious and permanent respiratory or other injury. Always use NIOSH/OSHA approved respiratory protection appropriate for the dust exposure. Direct particles away from face and body.



**WARNING:** Before beginning the work, check to determine the hazard classification of the dust produced. Use an industrial dust extractor vacuum of the appropriate, officially approved safety class that is in compliance with your local dust hazard control regulations.



**WARNING:** Always wear proper personal hearing protection that conforms to ANSI S12.6 (S3.19) during use. Under some conditions and duration of use, noise from this product may contribute to hearing loss.

- **Air vents often cover moving parts and should be avoided.** Loose clothes, jewelry or long hair can be caught in moving parts.

### SAVE THESE INSTRUCTIONS FOR FUTURE USE

## COMPONENTS (FIG. A)



**WARNING:** Never modify the power tool or any part of it. Damage or personal injury could result.

Refer to Figure A at the beginning of this manual for a complete list of components.

### Intended Use

Your concrete surface grinding shroud has been designed for dust removal of the following: grinding, leveling and polishing concrete surfaces. It can remove dust when removing surface paint, epoxy and glue. Using the appropriate grinder, diamond grinding wheel and dust extractor vacuum it can be used to remove the vast majority of static and airborne dust which without the use of the surface grinding shroud could otherwise contaminate the working environment or pose an increased health risk to the operator and those in close proximity. This concrete surface grinder should ALWAYS be used with a dust extractor vacuum designed for concrete dust removal.

**DO NOT** use under wet conditions or in presence of flammable liquids or gases.

The surface grinding shroud is a professional tool. **DO NOT** let children come into contact with the tool. Supervision is required when inexperienced operators use this tool.

## ASSEMBLY AND ADJUSTMENTS



**WARNING:** To reduce the risk of serious personal injury, turn unit off and disconnect it from power source before making any adjustments or removing/installing attachments or accessories. An accidental start-up can cause injury. **This applies to both the grinder and the dust extractor vacuum.** Such preventative safety measures reduce the risk of starting the tool accidentally.

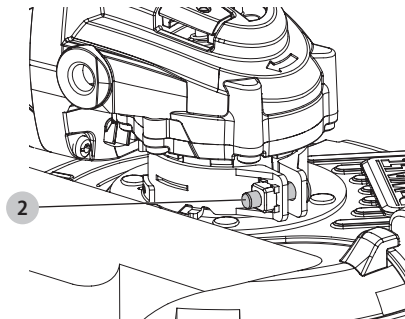
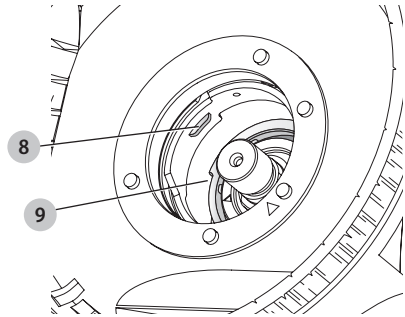
## Mounting and Removing Surface Grinding Shroud



**WARNING:** When loosening the clamp screw, make sure the screw remains attached to the shroud.

1. Follow the mounting and removing guard instructions in tool manual to remove the guard from grinder.
2. Loosen the clamp adjusting screw **2** on the surface grinding shroud and align the tabs **8** on the surface grinding shroud with the slots **9** on the grinder gear case.
3. Rotate the shroud into the desired working position. The surface grinding shroud should be positioned between the spindle and the operator to provide operator protection.

Fig. B



4. Tighten the clamp adjusting screw **2** to ensure shroud is secured to gear case.

For optimal positioning, the diamond wheel should ride above the brushes 1/8" (3.18 mm). If diamond wheel rides inside the shroud or stands taller than 1/4" (6.35 mm) the shroud will not work properly.

**NOTICE:** If surface grinding shroud cannot be tightened by the clamp adjusting screw, do not use the tool and take the tool and surface grinding shroud to a service center to repair or replace the surface grinding shroud.

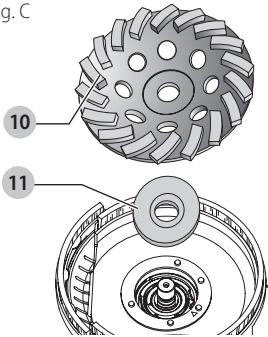
5. To remove the surface grinding shroud, loosen the clamp adjusting screw, rotate the surface grinding shroud to align the slots and tabs and pull up on the surface grinding shroud.

## Mounting Dry Diamond Surface Cup Wheels (Fig. C)

Follow the mounting and using cutting wheels instructions in the tool manual and mount the grinding wheel. DO NOT use Type 1 cutting wheels or bonded abrasive wheels.

Dry diamond surface cup **10** wheels are recommended for use with this shroud. The inner flange washer **11** should be installed behind the wheel allowing free tool removal and proper fit.

Fig. C



## Dust Extraction (Fig. A, D)

**WARNING:** Use only power tools recommended by DeWALT with this attachment.

For more information about DeWALT power tools compatible with this attachment, please contact your local dealer, call 1-800-4-DeWALT (1-800-433-9258) or visit our website [www.DeWALT.com](http://www.DeWALT.com).

**WARNING:** This attachment must be used with a dust extractor system. ALWAYS wear certified safety face or dust mask.

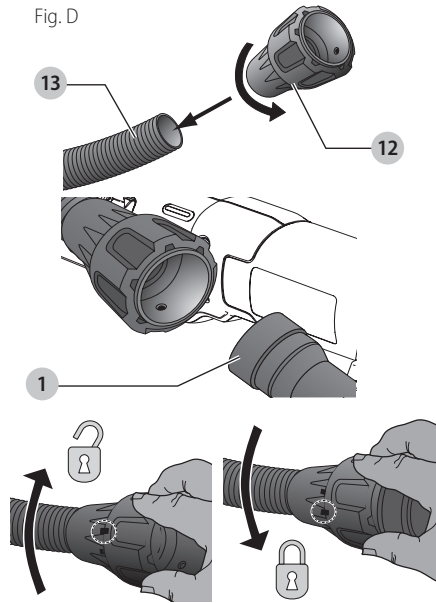
**NOTE:** Ensure hose connection is secure.

**NOTE:** The amount of dust retained by the dust extractor vacuum is dependent on its filter system. Refer to the dust extractor vacuum instruction manual for more information. All DeWALT dust collection shrouds are designed to work with the DeWALT universal DWV9000 connector.

1. Attach the DWV9000 connector **12** to your dust collector hose **13**.
2. Unlock the DWV9000 connector **12** and slide onto dust port **1**.

3. Lock the DWV9000 connector **12** to secure.

Fig. D



## Traditional dust extractor vacuum hoses

Attach recommended dust extractor vacuum hose to dust port **1**.

## OPERATION

**WARNING:** To reduce the risk of serious personal injury, turn unit off and disconnect it from power source before making any adjustments or removing/installing attachments or accessories.

An accidental start-up can cause injury. This applies to both the grinder and the dust extractor vacuum. Such preventative safety measures reduce the risk of starting the tool accidentally.

**WARNING:** For your own safety, read the instruction manual for both the grinding tool and the dust extractor vacuum before using any accessory. Failure to heed these warnings may result in personal injury and serious damage to the tool and the accessory. When servicing this tool, use only identical replacement parts.

**NOTE:** The amount of dust retained by the dust extractor vacuum is dependent on its filter system. Refer to the dust extractor vacuum instruction manual for more information.

1. Ensure all assembly instructions have been completed.
2. Turn the dust extractor vacuum on as instructed in the dust extractor vacuum instruction manual.
3. Turn the tool on as instructed in the tool instruction manual and allow it to reach full speed before making contact with work surface.
4. Place the surface grinding shroud to flat work surface such as a floor or wall and begin grinding.



## ENGLISH

- When surface grinding is complete, turn the tool off and disconnect from the power source. Allow the tool to stop rotating before laying it down.

**NOTE:** The surface grinding shroud and dust extractor vacuum will only be effective when used with a diamond surface cup wheel on a flat surface.

### Installation of the bail handle assembly

- Lightly pull thumbscrews outwards from handle so that their threaded ends are pulled inside handle.
- Place the handle assembly over the grinder gear case aligning the thumbscrews with the threaded holes and the ears on the gear case with the slots in the bail handle assembly.
- Tighten the thumbscrews to secure the handle to the grinder.

### Adjustment of the bail handle angle

- Loosen both thumbscrews 2 full turns.
- Rotate the handle to the desired 45° or 90° position making sure that the detent groves align.
- Re-tighten the thumbscrews to secure the handle to the grinder.

### Edging Use Application (Fig. A)

This concrete grinding shroud has a door feature to allow flush grinding against a wall.

- Turn off the tool and disconnect from the power source.
- Using the edging door tab **6**, rotate the edging door until it snaps into the open position.
- Connect the tool to the power source.
- Position hands and body away from wheel and door opening.
- Place the door edge flush to work surface, turn the tool on and begin grinding. Remove the tool from work surface before turning the tool off.
- When flush grinding is complete, turn off the tool and disconnect from power source. Allow the tool to stop rotating before laying it down.
- Using the edging door tab **6**, rotate door until it snaps into the closed position.

## MAINTENANCE



**WARNING:** To reduce the risk of serious personal injury, turn unit off and disconnect it from power source before making any adjustments or removing/installing attachments or accessories. An accidental start-up can cause injury. This applies to both the grinder and the dust extractor vacuum. Such preventative safety measures reduce the risk of starting the tool accidentally.

### Replace Brush Skirt (Fig. A)

- Turn off the tool and disconnect from power source.
- Push worn brush skirt from brush skirt removal holes **4**.
- Press new brush skirt into brush skirt removal holes until secure.

Replacement brush skirts are available at extra cost from your local dealer or authorized service center. If you need assistance in locating any accessory, please contact DeWALT Industrial Tool Co., 701 East Joppa Road, Towson, MD 21286, call 1-800-4-DeWALT (1-800-433-9258) or visit our website: [www.DeWALT.com](http://www.DeWALT.com).

## Cleaning



**WARNING:** Blow dirt and dust out of all air vents with clean, dry air at least once a week. To minimize the risk of eye injury, always wear ANSI Z87.1 approved eye protection when performing this.



**WARNING:** Never use solvents or other harsh chemicals for cleaning the non-metallic parts of the tool. These chemicals may weaken the plastic materials used in these parts. Use a cloth dampened only with water and mild soap. Never let any liquid get inside the tool; never immerse any part of the tool into a liquid.

## Accessories



**WARNING:** Since accessories, other than those offered by DeWALT, have not been tested with this product, use of such accessories with this tool could be hazardous. To reduce the risk of injury, only DeWALT recommended accessories should be used with this product.

Recommended accessories for use with your tool are available at extra cost from your local dealer or authorized service center. If you need assistance in locating any accessory, please contact DeWALT Industrial Tool Co., 701 East Joppa Road, Towson, MD 21286, call 1-800-4-DeWALT (1-800-433-9258) or visit our website: [www.dewalt.com](http://www.dewalt.com).

## Repairs



**WARNING:** To assure product SAFETY and RELIABILITY, repairs, maintenance and adjustment (including brush inspection and replacement, when applicable) should be performed by a DeWALT factory service center or a DeWALT authorized service center. Always use identical replacement parts.

## Register Online

Thank you for your purchase. Register your product now for:

- WARRANTY SERVICE:** Registering your product will help you obtain more efficient warranty service in case there is a problem with your product.
- CONFIRMATION OF OWNERSHIP:** In case of an insurance loss, such as fire, flood or theft, your registration of ownership will serve as your proof of purchase.
- FOR YOUR SAFETY:** Registering your product will allow us to contact you in the unlikely event a safety notification is required under the Federal Consumer Safety Act.

Register online at [www.dewalt.com/register](http://www.dewalt.com/register).



## Three Year Limited Warranty

DeWALT will repair, without charge, any defects due to faulty materials or workmanship for three years from the date of purchase. This warranty does not cover part failure due to normal wear or tool abuse. For further detail of warranty coverage and warranty repair information, visit [www.dewalt.com](http://www.dewalt.com) or call 1-800-4-DeWALT (1-800-433-9258).

This warranty does not apply to accessories or damage caused where repairs have been made or attempted by others. This warranty gives you specific legal rights and you may have other rights which vary in certain states or provinces.

In addition to the warranty, DeWALT tools are covered by our:

### 1 YEAR FREE SERVICE

DeWALT will maintain the tool and replace worn parts caused by normal use, for free, any time during the first year after purchase.

### 90 DAY MONEY BACK GUARANTEE

If you are not completely satisfied with the performance of your DeWALT Power Tool, Laser, or Nailer for any reason, you can return it within 90 days from the date of purchase with a receipt for a full refund – no questions asked.

**LATIN AMERICA:** This warranty does not apply to products sold in Latin America. For products sold in Latin America, see country specific warranty information contained in the packaging, call the local company or see website for warranty information.

**FREE WARNING LABEL REPLACEMENT:** If your warning labels become illegible or are missing, call 1-800-4-DeWALT (1-800-433-9258) for a free replacement.

## Définitions : symboles et termes d'alarmes sécurité

Ces guides d'utilisation utilisent les symboles et termes d'alarmes sécurité suivants pour vous prévenir de situations dangereuses et de risques de dommages corporels ou matériels.



**DANGER** : indique une situation dangereuse imminente qui, si elle n'est pas évitée, **entraînera la mort ou des blessures graves**.



**AVERTISSEMENT** : indique une situation potentiellement dangereuse qui, si elle n'est pas évitée, **pourrait entraîner la mort ou des blessures graves**.



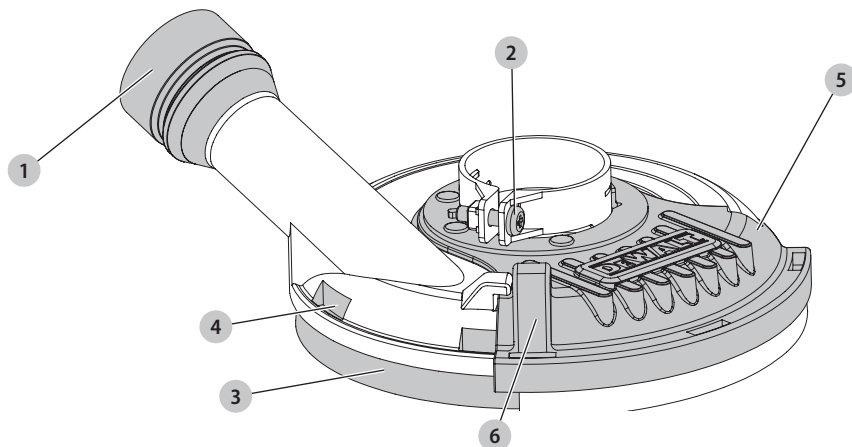
**ATTENTION** : indique une situation potentiellement dangereuse qui, si elle n'est pas évitée, **pourrait entraîner des blessures légères ou modérées**.



(Si utilisé sans aucun terme) Indique un message propre à la sécurité.

**AVIS** : indique une pratique ne posant **aucun risque de dommages corporels** mais qui par contre, si rien n'est fait pour l'éviter, **pourrait poser des risques de dommages matériels**.

Fig. A



- 1 Buse de dépoussiérage
- 2 Vis de réglage du collier de serrage
- 3 Jupe de brosse remplaçable
- 4 Trou de retrait de la jupe de brosse
- 5 Capot à bordure
- 6 Languette du capot à bordure



**AVERTISSEMENT! lire tous les avertissements de sécurité et toutes les directives.** Le non-respect des avertissements et des directives pourrait se solder par un choc électrique, un incendie et/ou une blessure grave.



**AVERTISSEMENT** : afin de réduire le risque de blessures, lire le mode d'emploi de l'outil.

**Pour toute question ou remarque au sujet de cet outil ou de tout autre outil DeWALT, composez le numéro sans frais : 1-800-4-DeWALT (1-800-433-9258).**

## AVERTISSEMENTS DE SÉCURITÉ GÉNÉRAUX POUR LES OUTILS ÉLECTRIQUES



**AVERTISSEMENT!** lire tous les avertissements de sécurité et toutes les directives. Le non-respect des avertissements et des directives pourrait se solder par un choc électrique, un incendie et/ou une blessure grave.

### CONSERVER TOUS LES AVERTISSEMENTS ET TOUTES LES DIRECTIVES POUR UN USAGE ULTÉRIEUR

Le terme « outil électrique » cité dans les avertissements se rapporte à votre outil électrique à alimentation sur secteur (avec fil) ou par piles (sans fil).

#### 1) Sécurité du lieu de travail

- Tenir l'aire de travail propre et bien éclairée.** Les lieux encombrés ou sombres sont propices aux accidents.
- Ne pas faire fonctionner d'outils électriques dans un milieu déflagrant, tel qu'en présence de liquides, de gaz ou de poussières inflammables.** Les outils électriques produisent des étincelles qui pourraient enflammer la poussière ou les vapeurs.
- Éloigner les enfants et les personnes à proximité pendant l'utilisation d'un outil électrique.** Une distraction pourrait en faire perdre la maîtrise à l'utilisateur.

#### 2) Sécurité en matière d'électricité

- Les fiches des outils électriques doivent correspondre à la prise. Ne jamais modifier la fiche d'aucune façon. Ne jamais utiliser de fiche d'adaptation avec un outil électrique mis à la terre.** Le risque de choc électrique sera réduit par l'utilisation de fiches non modifiées correspondant à la prise.
- Éviter tout contact physique avec des surfaces mises à la terre comme des tuyaux, des radiateurs, des cuisinières et des réfrigérateurs.** Le risque de choc électrique est plus élevé si votre corps est mis à la terre.
- Ne pas exposer les outils électriques à la pluie ou à l'humidité.** La pénétration de l'eau dans un outil électrique augmente le risque de choc électrique.
- Ne pas utiliser le cordon de façon abusive. Ne jamais utiliser le cordon pour transporter, tirer ou débrancher un outil électrique. Tenir le cordon éloigné de la chaleur, de l'huile, des bords tranchants et des pièces mobiles.** Les cordons endommagés ou enchevêtrés augmentent les risques de choc électrique.
- Pour l'utilisation d'un outil électrique à l'extérieur, se servir d'une rallonge convenant à cette application.** L'utilisation d'une rallonge conçue pour l'extérieur réduira les risques de choc électrique.

- S'il est impossible d'éviter l'utilisation d'un outil électrique dans un endroit humide, brancher l'outil dans une prise ou sur un circuit d'alimentation dotés d'un disjoncteur de fuite à la terre (GFCI).** L'utilisation de ce type de disjoncteur réduit les risques de choc électrique.

#### 3) Sécurité personnelle

- Être vigilant, surveiller le travail effectué et faire preuve de jugement lorsqu'un outil électrique est utilisé. Ne pas utiliser d'outil électrique en cas de fatigue ou sous l'influence de drogues, d'alcool ou de médicaments.** Un simple moment d'inattention en utilisant un outil électrique peut entraîner des blessures corporelles graves.
- Utiliser des équipements de protection individuelle. Toujours porter une protection oculaire.** L'utilisation d'équipements de protection comme un masque antipoussière, des chaussures antidérapantes, un casque de sécurité ou des protecteurs auditifs lorsque la situation le requiert réduira les risques de blessures corporelles.
- Empêcher les démarrages intempestifs. S'assurer que l'interrupteur se trouve à la position d'arrêt avant de relier l'outil à une source d'alimentation et/ou d'insérer un bloc-piles, de ramasser ou de transporter l'outil.** Transporter un outil électrique alors que le doigt repose sur l'interrupteur ou brancher un outil électrique dont l'interrupteur est à la position de marche risque de provoquer un accident.
- Retirer toute clé de réglage ou clé avant de démarrer l'outil.** Une clé ou une clé de réglage attachée à une partie pivotante de l'outil électrique peut provoquer des blessures corporelles.
- Ne pas trop tendre les bras. Conserver son équilibre en tout temps.** Cela permet de mieux maîtriser l'outil électrique dans les situations imprévues.
- S'habiller de manière appropriée. Ne pas porter de vêtements amples ni de bijoux. Garder les cheveux, les vêtements et les gants à l'écart des pièces mobiles.** Les vêtements amples, les bijoux ou les cheveux longs risquent de rester coincés dans les pièces mobiles.
- Si des composants sont fournis pour le raccordement de dispositifs de dépeussierage et de ramassage, s'assurer que ceux-ci sont bien raccordés et utilisés.** L'utilisation d'un dispositif de dépeussierage peut réduire les dangers engendrés par les poussières.

#### 4) Utilisation et entretien d'un outil électrique

- Ne pas forcer un outil électrique. Utiliser l'outil électrique approprié à l'application.** L'outil électrique approprié effectuera un meilleur travail, de façon plus sûre et à la vitesse pour laquelle il a été conçu.



**AVERTISSEMENT :** l'utilisation de tout accessoire ou pièce, ou l'exécution de toute opération avec cet outil, autre que celle recommandée dans ce manuel de l'utilisateur pose des risques de dommages corporels.

- b) **Ne pas utiliser un outil électrique dont l'interrupteur est défectueux.** Tout outil électrique dont l'interrupteur est défectueux est dangereux et doit être réparé.
- c) **Débrancher la fiche de la source d'alimentation et/ou du bloc-piles de l'outil électrique avant de faire tout réglage ou changement d'accessoire ou avant de ranger l'outil.** Ces mesures préventives réduisent les risques de démarrage accidentel de l'outil électrique.
- d) **Ranger les outils électriques hors de la portée des enfants et ne permettre à aucune personne n'étant pas familière avec un outil électrique ou son mode d'emploi d'utiliser cet outil.** Les outils électriques deviennent dangereux entre les mains d'utilisateurs inexpérimentés.
- e) **Entretien des outils électriques. Vérifier si les pièces mobiles sont mal alignées ou coincées, si des pièces sont brisées ou présentent toute autre condition susceptible de nuire au bon fonctionnement de l'outil électrique. En cas de dommage, faire réparer l'outil électrique avant toute nouvelle utilisation.** Beaucoup d'accidents sont causés par des outils électriques mal entretenus.
- f) **S'assurer que les outils de coupe sont aiguisés et propres.** Les outils de coupe bien entretenus et affûtés sont moins susceptibles de se coincer et sont plus faciles à maîtriser.
- g) **Utiliser l'outil électrique, les accessoires, les forets, etc. conformément aux présentes directives en tenant compte des conditions de travail et du travail à effectuer.** L'utilisation d'un outil électrique pour toute opération autre que celle pour laquelle il a été conçu est dangereuse.

## 5) Réparation


- a) **Faire réparer l'outil électrique par un réparateur professionnel en n'utilisant que des pièces de rechange identiques.** Cela permettra de maintenir une utilisation sécuritaire de l'outil électrique.

## Règles de sécurité propres aux carters d'aspiration pour meuleuses de finition


- **Utiliser exclusivement des meules boisseau diamant de surfacage à sec avec ce carter d'aspiration pour meuleuses de finition.** Le carter d'aspiration pour meuleuses de finition n'a pas été conçu pour être utilisé avec des meules boisseau ou brosse métalliques à meulage ou tronçonnage standard.
- **La vitesse nominale des accessoires utilisés doit être équivalente ou supérieure à la vitesse maximale apposée sur l'outil.** Les accessoires utilisés à une vitesse plus rapide que leur vitesse nominale peuvent éclater ou se détacher de l'outil.
- **Tenir l'outil électrique par les surfaces isolées prévues à cet effet pendant toute utilisation où l'organe de coupe pourrait entrer en contact avec des fils électriques cachés ou son propre cordon.** Tout contact de l'organe de coupe avec un fil sous tension met les parties métalliques exposées de l'outil électrique sous tension et électrocute l'utilisateur.
- **Utiliser systématiquement la poignée étrier ou latérale. Resserrez la poignée soigneusement.** La poignée doit être systématiquement utilisée pour maintenir en permanence le contrôle de l'outil.
- **Ne pas utiliser d'accessoire endommagé. Avant toute utilisation, vérifier que les accessoires, comme les meules diamants et les tampons de soutien, ne comportent aucune fissure ou cassure, ou ne sont affectés d'aucune usure excessive. En cas de chute, vérifier que l'outil électrique ou l'accessoire n'a pas été endommagé, et remplacer toute pièce abîmée. Après avoir inspecté et installé un accessoire, se positionner, soi-même et tout individu présent, hors du plan de rotation de l'accessoire et laisser tourner l'outil une minute à sa vitesse à vide maximale.** En général, les accessoires endommagés se brisent pendant le temps d'essai.
- **Au démarrage de l'outil (avec une meule neuve, ou après l'avoir changée), maintenir l'outil dans un espace sécuritaire et le laisser tourner une minute.** Si le disque était affecté d'une fêlure ou d'un défaut caché, il pourrait éclater en moins d'une minute. Ne jamais démarrer l'outil lorsque quelqu'un se tient directement devant le disque, y compris l'utilisateur.
- **Porter un équipement individuel de protection. Utiliser une protection faciale et des lunettes ou un masque de protection. Si approprié, porter un masque anti-poussières, une protection auditive, des gants et un tablier d'atelier capables de vous protéger contre toute projection abrasive ou tout fragment.** La protection oculaire doit pouvoir arrêter toute projection de débris engendrés par des opérations diverses. Le masque anti-poussières, ou l'appareil de protection des voies respiratoires, doit pouvoir filtrer les particules engendrées par l'opération en cours. Toute exposition prolongée à un haut niveau de décibels peut occasionner une perte de l'acuité auditive.
- **Positionner le cordon hors du chemin de l'accessoire en rotation.** En cas de perte de contrôle de l'outil, le cordon pourrait être coupé ou arraché, et les mains

ou bras pourraient entrer en contact avec l'accessoire en rotation.


- **Attendre systématiquement l'arrêt complet de l'accessoire avant de poser l'outil électrique.** L'accessoire en rotation pourrait s'accrocher à une surface et vous faire perdre le contrôle de l'outil électrique.
- **Ne pas laisser l'outil électrique tourner alors que vous le transportez à votre côté.** Tout contact accidentel de l'accessoire en rotation pourrait faire que ce dernier s'accroche aux vêtements et entre en contact avec le corps.
- **Nettoyer régulièrement les orifices d'aération de l'outil.** Le ventilateur du moteur attirera de la poussière à l'intérieur du boîtier et l'accumulation excessive de poussières métalliques pose des risques d'électrocution.
- **Ne pas utiliser cet outil électrique à proximité de matériaux inflammables,** car des étincelles pourraient les enflammer.
- **Ne pas utiliser d'accessoires nécessitant l'utilisation de réfrigérants fluides.** L'utilisation d'eau ou de réfrigérants fluides pose des risques d'électrocution ou de chocs électriques.
- **NE PAS utiliser de brosse métallique avec ce carter d'aspiration pour meuleuses de finition.**
- **NE PAS utiliser de meules abrasives.**
- **NE PAS meuler ou découper le métal avec une meule boisseau diamant.** Des fragments pourraient se détacher et être expulsés.
- **Utiliser SYSTÉMATIQUEMENT un système de dé poussierage.**

 **AVERTISSEMENT :** lorsqu'elle est inutilisée, déposer la meuleuse sur une surface stable où elle sera immobile et ne risquera pas de rouler ou de faire trébucher ou chuter quiconque. Cela pose des risques de dommages corporels graves.

## Consigne de sécurité supplémentaire

 **AVERTISSEMENT :** porter SYSTÉMATIQUEMENT des lunettes de protection. Les lunettes courantes NE sont PAS des lunettes de protection. Utiliser aussi un masque antipoussières si la découpe doit en produire beaucoup. PORTER SYSTÉMATIQUEMENT UN ÉQUIPEMENT DE SÉCURITÉ HOMOLOGUÉ :

- Protection oculaire ANSI Z87.1 (CAN/CSA Z94.3) ;
- Protection auditive ANSI S12.6 (S3.19) ;
- Protection des voies respiratoires NIOSH/OSHA/MSHA.


 **AVERTISSEMENT :** les scies, meules, ponceuses, perceuses ou autres outils de construction peuvent produire des poussières contenant des produits chimiques reconnus par l'État californien pour causer cancers, malformations congénitales ou être nocifs au système reproducteur. Parmi ces produits chimiques, on retrouve :


- Le plomb dans les peintures à base de plomb ;
- La silice cristallisée dans les briques et le ciment, ou autres produits de maçonnerie ; et


- L'arsenic et le chrome dans le bois ayant subi un traitement chimique.

Le risque associé à de telles expositions varie selon la fréquence à laquelle on effectue ces travaux. Pour réduire toute exposition à ces produits : travailler dans un endroit bien aéré, en utilisant du matériel de sécurité homologué, tel un masque antipoussières spécialement conçu pour filtrer les particules microscopiques.

- **Limitier toute exposition prolongée avec les poussières provenant du ponçage, sciage, meulage, perçage ou toute autre activité de construction. Porter des vêtements de protection et nettoyer à l'eau savonneuse les parties du corps exposées.** Le fait de laisser la poussière pénétrer dans la bouche, les yeux ou la peau peut favoriser l'absorption de produits chimiques dangereux.

 **AVERTISSEMENT :** cet outil peut produire et/ou répandre de la poussière susceptible de causer des dommages sérieux et permanents au système respiratoire. Utiliser systématiquement un appareil de protection des voies respiratoires homologué par le NIOSH ou l'OSHA. Diriger les particules dans le sens opposé au visage et au corps.

 **AVERTISSEMENT :** avant de se mettre au travail, s'assurer de déterminer la classification des dangers posés par les poussières produites. Utiliser un aspirateur industriel de la classe officielle de sécurité, appropriée et homologuée, conformément aux consignes locales de lutte contre les risques posés par les poussières.

 **AVERTISSEMENT :** pendant l'utilisation, porter systématiquement une protection auditive individuelle adéquate homologuée ANSI S12.6 (S3.19). Sous certaines conditions et suivant la durée d'utilisation, le bruit émanant de ce produit pourrait contribuer à une perte de l'acuité auditive.

- **Prendre des précautions à proximité des événements, car ils cachent des pièces mobiles.** Vêtements amples, bijoux ou cheveux longs risquent de rester coincés dans ces pièces mobiles.

## CONSERVER CES CONSIGNES POUR UTILISATION ULTÉRIEURE

### DESCRIPTION (FIG. A)

 **AVERTISSEMENT :** ne jamais modifier l'outil électrique ni aucun de ses composants, car il y a des risques de dommages corporels ou matériels.

Reportez-vous en figure A au début de ce manuel pour obtenir la liste complète des composants.

### USAGE PRÉVU

Votre carter d'aspiration pour meuleuses de finition du béton a été conçu pour l'élimination des poussières lors du meulage, nivelage et polissage de surfaces en béton. Il peut aussi éliminer les poussières produites lors du retrait des peintures, des colles époxydes ou autres. Avec l'utilisation d'une meuleuse à disque, meule diamant et d'un aspirateur appropriés, le carter d'aspiration pour meuleuses de

## FRANÇAIS

finition peut être utilisé pour retirer une vaste majorité des poussières statiques atmosphériques qui en son absence pourraient contaminer l'environnement de travail ou poser des risques accrus pour la santé de l'utilisateur et de ceux à proximité. Ce carter d'aspiration pour meuleuses de finition du béton doit être SYSTÉMATIQUEMENT utilisé avec un aspirateur spécialement conçu pour l'élimination des poussières de béton.

**NE PAS** les utiliser en milieu ambiant humide ou en présence de liquides ou de gaz inflammables.

Le corps d'aspiration pour les meuleuses est un outil professionnel. **NE PAS** le laisser à la portée des enfants. Une supervision est nécessaire auprès de tout utilisateur non expérimenté.

## ASSEMBLAGE ET AJUSTEMENTS

**⚠ AVERTISSEMENT : pour réduire le risque de blessures graves, éteindre l'outil et retirer le débrancher avant d'effectuer tout réglage et d'enlever ou d'installer tout accessoire. Un démarrage accidentel peut provoquer des blessures. Cela s'applique aussi bien à la meuleuse à disque qu'à l'aspirateur. Ces mesures préventives de sécurité réduisent les risques de démarrage accidentel de l'outil.**

### Installation et retrait du carter d'aspiration pour meuleuses de finition

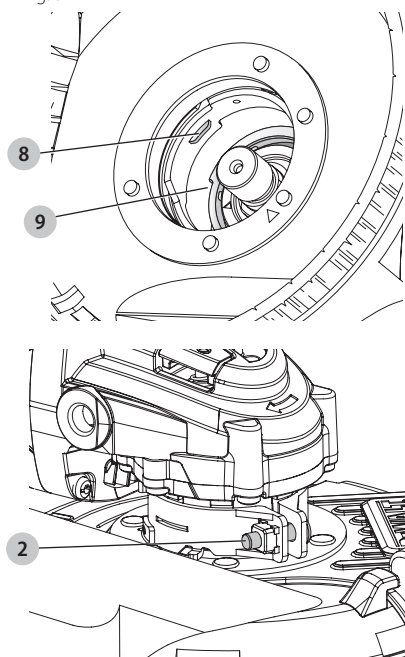
**⚠ AVERTISSEMENT : En desserrant la vis de fixation, assurez-vous qu'elle reste attachée au carénage.**

1. Suivez les instructions de la section installation et retrait du dispositif de protection dans le manuel de l'outil pour retirer ce dispositif de la meuleuse.
2. Ouvrez levis de réglage du serrage **2** sur le carénage pour meulage de surface et aligner les onglets **8** du carénage pour meulage de surface avec les encoches **9** sur le boîtier d'engrenage de la meuleuse.
3. Avec le levier de serrage ouvert, faites pivoter le carénage dans la position de travail désirée. Le carénage pour meulage de surface doit être positionné entre l'arbre et l'opérateur pour protéger l'opérateur.
4. Refermez le levier de serrage pour fixer le carénage pour meulage de surface sur le boîtier d'engrenage. Serrez la vis de réglage du serrage **2** pour vous assurer que le carénage est bien fixé au boîtier d'engrenage. Pour optimiser le positionnement, la meule diamant devrait se trouver au-dessus des brosses de 3,18 mm (1/8 po). Si la meule diamant empiète à l'intérieur du carter d'aspiration ou dépasse de plus de 6,35 mm (1/4 po), le carter d'aspiration ne fonctionnera pas correctement.

**AVIS :** si le carénage pour meulage de surface ne peut pas être serré avec la vis de réglage du serrage, n'utilisez pas l'outil et portez l'outil et le carénage pour meulage de surface dans un centre de service pour une réparation ou un remplacement du carénage pour meulage de surface.

5. Pour retirer le carénage pour meulage de surface, ouvrez le levier de serrage, faites pivoter le carénage pour meulage de surface pour aligner les encoches et les onglets et tirez sur le carénage pour meulage de surface.

Fig. B

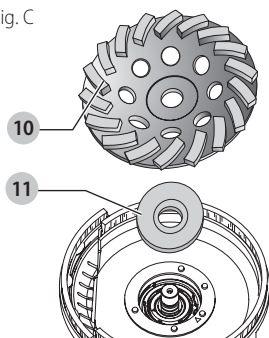


### Installation de meules boisseau diamant de surfacage à sec (Fig. C)

Suivez les instructions de la section installation et utilisation des meules à tronçonner dans le manuel de l'outil pour installer la meule. N'utilisez PAS de meules à tronçonner de type 1 ou des meules abrasives composites.

Il est recommandé d'utiliser des meules boisseau diamant de surfacage à sec **10** avec ce carter d'aspiration. La rondelle de la bride interne **11** doit être installée derrière la meule pour en faciliter le retrait de l'outil et assurer in positionnement correct.

Fig. C





## Dépoussiérage (Fig. A, D)

**⚠ AVERTISSEMENT :** utiliser exclusivement les outils électriques recommandés par DeWALT avec cet accessoire.

Pour plus d'informations concernant les outils électriques DeWALT compatibles avec cet accessoire, contacter votre détaillant local, appeler le 1-800-4-DeWALT (1-800-433-9258) ou se rendre sur notre site [www.DeWALT.com](http://www.DeWALT.com).

**⚠ AVERTISSEMENT :** cet accessoire DOIT ÊTRE utilisé avec un extracteur de poussière. Porter SYSTÉMATIQUEMENT un écran facial ou un masque anti-poussières de sécurité homologué.

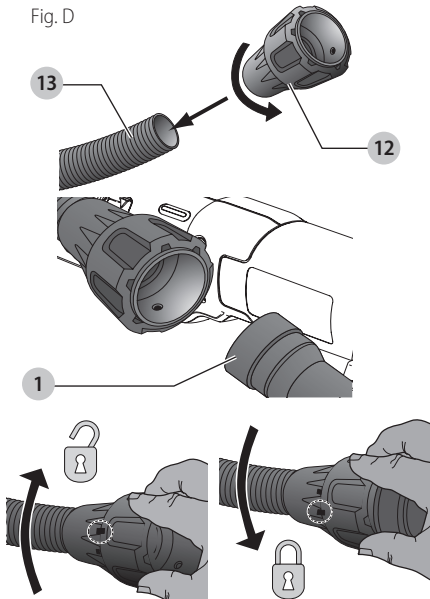
**REMARQUE :** vérifier que la connexion tuyau est fiable.

**REMARQUE :** la quantité de poussière éliminée par l'aspirateur dépend de son système de filtrage. Se reporter au manuel de l'utilisateur de l'aspirateur pour des informations complémentaires.

Tous les carters d'aspiration DeWALT ont été conçus pour fonctionner avec les connecteurs universels DWV9000 DeWALT.

1. Rattachez le connecteur DWV9000 **12** au tuyau de votre système de dépoussiérage **13**.
2. Déverrouillez le connecteur DWV9000 **12** et insérez-le sur la buse de dépoussiérage **1**.
3. Verrouillez le connecteur DWV9000 **12** pour arrimer le tout.

Fig. D



## Traditional dust extractor vacuum hoses

Attach recommended dust extractor vacuum hose to dust port **1**.

## UTILISATION

**⚠ AVERTISSEMENT :** pour réduire le risque de blessures graves, éteindre l'outil et retirer le débrancher avant d'effectuer tout réglage et d'enlever ou d'installer tout accessoire. Un démarrage accidentel peut provoquer des blessures. **Cela s'applique aussi bien à la meuleuse à disque qu'à l'aspirateur.** Ces mesures préventives de sécurité réduisent les risques de démarrage accidentel de l'outil.

**⚠ AVERTISSEMENT :** pour votre sécurité, lire le manuel de l'utilisateur de la meuleuse, mais aussi de l'aspirateur avant l'utilisation de tout accessoire. Tout manquement à ces avertissements augmente les risques de blessures, et les risques d'endommager sérieusement l'appareil et ses accessoires. Lors de la maintenance de cet outil, n'utiliser que des pièces de rechange identiques.

**REMARQUE :** la quantité de poussière éliminée par l'aspirateur dépend de son système de filtrage. Se reporter au manuel de l'utilisateur de l'aspirateur pour des informations complémentaires.

1. Assurez-vous que toutes les instructions d'assemblage ont bien été suivies.
2. Allumez l'aspirateur comme indiqué dans le manuel de l'utilisateur de l'aspirateur.
3. Mettez l'outil en marche comme indiqué dans le manuel de l'utilisateur de l'outil, et laissez-le tourner à plein régime avant de le mettre en contact avec une surface de travail.
4. Placez le carter d'aspiration pour meuleuses de finition sur une surface plane comme un sol ou un mur et commencez à meuler.
5. Une fois le meulage de finition terminé, arrêtez l'outil et débranchez-le du secteur. Laissez l'outil s'arrêter complètement de tourner avant de le poser.

**REMARQUE :** le carter d'aspiration pour meuleuses de finition et l'aspirateur ne seront efficaces que s'ils sont utilisés avec une meule boisseau diamant sur une surface plane.

## Installation du dispositif de la poignée étrier

1. Tirez légèrement les vis à oreilles vers l'extérieur de façon à ce que leur taraudage rentre dans la poignée.
2. Placez le dispositif de la poignée sur le carter d'engrenage de la meuleuse en alignant les vis à oreilles sur les trous taraudés et les oreilles du carter d'engrenage sur les orifices du dispositif de la poignée étrier.
3. Resserrez les vis à oreilles pour arrimer la poignée à la meuleuse.

## réglage de l'angle de la poignée étrier

1. Desserrez les deux vis à oreilles de deux tours complets.
2. Tournez la poignée sur l'angle désiré, 45° ou 90° en vous assurant que les fentes d'encliquetage soient alignées.



## FRANÇAIS

3. Resserrez les vis à oreilles pour arrimer la poignée à la meuleuse.

### Applications : bordures (Fig. A)

Le carter d'aspiration pour meuleuses de béton possède une fonctionnalité capot qui permet de meuler au ras d'un mur.

1. Arrêtez l'outil et débranchez-le du secteur.
2. À l'aide de la languette du capot à bordure 6, faites pivoter le capot à bordure jusqu'à ce qu'il s'enclenche en position ouverte.
3. Connectez l'outil au secteur.
4. Positionnez les mains et le corps hors du chemin de la meule et de l'ouverture du capot.
5. Placez le bord du capot au ras de la surface à travailler, démarrez l'outil et commencez à meuler. Retirez l'outil de la pièce à travailler avant de l'arrêter.
6. Une fois le meulage à ras terminé, arrêtez l'outil et débranchez-le du secteur. Laissez l'outil s'arrêter complètement de tourner avant de le poser.
7. À l'aide de la languette du capot à bordure 6, faites pivoter le capot jusqu'à ce qu'il s'enclenche en position fermée.

### MAINTENANCE



**AVERTISSEMENT : pour réduire le risque de blessures graves, éteindre l'outil et retirer le débrancher avant d'effectuer tout réglage et d'enlever ou d'installer tout accessoire.** Un démarrage accidentel peut provoquer des blessures.. **Cela s'applique aussi bien à la meuleuse à disque qu'à l'aspirateur.** Ces mesures préventives de sécurité réduisent les risques de démarrage accidentel de l'outil.

### Remplacement de la jupe de brosse (Fig. A)

1. Arrêtez l'outil et débranchez-le du secteur.
2. Repoussez la jupe de brosse usée par les trous de retrait 4 de la jupe de brosse.
3. Poussez la nouvelle jupe de brosse dans les trous de retrait de la jupe de brosse jusqu'à ce qu'elle soit solidement fixée.

Des jupes de brosse sont vendues séparément chez votre distributeur ou dans les centres de réparation autorisés. Si vous avez besoin d'aide pour localiser ces accessoires, veuillez contacter DeWALT Industrial Tool Co., 701 East Joppa Road, Towson, MD 21286, appeler le 1-800-4-DeWALT (1-800-433-9258) ou se rendre sur notre site : [www.DeWALT.com](http://www.DeWALT.com).

### Nettoyage



**AVERTISSEMENT : enlever les saletés et la poussière hors des événements au moyen d'air comprimé propre et sec, au moins une fois par semaine.** Pour minimiser le risque de blessure aux yeux, toujours porter une protection oculaire conforme à la norme ANSI Z87.1 lors du nettoyage.



**AVERTISSEMENT : ne jamais utiliser de solvants ni d'autres produits chimiques puissants pour nettoyer les pièces non métalliques de l'outil.** Ces produits chimiques peuvent affaiblir les matériaux de plastique utilisés dans ces pièces. Utiliser un chiffon humecté uniquement d'eau et de savon doux. Ne jamais laisser de liquide pénétrer dans l'outil et n'immerger aucune partie de l'outil dans un liquide.

### Accessoires



**AVERTISSEMENT : puisque les accessoires autres que ceux offerts par DeWALT n'ont pas été testés avec ce produit, leur utilisation pourrait s'avérer dangereuse.** Pour réduire le risque de blessures, utiliser exclusivement les accessoires DeWALT recommandés avec le présent produit.

Les accessoires recommandés pour cet outil sont vendus séparément au centre de service de votre région. Pour obtenir de l'aide concernant l'achat d'un accessoire, communiquer avec DeWALT Industrial Tool Co., 701 East Joppa Road, Towson, MD 21286 aux États-Unis; composer le 1 800 433-9258 (1 800 4-DeWALT) ou visiter notre site Web : [www.dewalt.com](http://www.dewalt.com).

### Réparations



**AVERTISSEMENT : pour assurer la SÉCURITÉ et la FIABILITÉ du produit, les réparations, l'entretien et les réglages doivent être réalisés (cela comprend l'inspection et le remplacement du balai, le cas échéant) par un centre de réparation en usine DeWALT ou un centre de réparation agréé DeWALT.** Toujours utiliser des pièces de rechange identiques.

### Registre en ligne

Merci pour votre achat. Enregistrez dès maintenant votre produit :

- **RÉPARATIONS SOUS GARANTIE :** cette carte remplie vous permettra de vous prévaloir du service de réparations sous garantie de façon plus efficace dans le cas d'un problème avec le produit.
- **CONFIRMATION DE PROPRIÉTÉ :** en cas de perte provoquée par un incendie, une inondation ou un vol, cette preuve de propriété vous servira de preuve auprès de votre compagnie d'assurances.
- **SÉCURITÉ :** l'enregistrement de votre produit nous permettra de communiquer avec vous dans l'éventualité peu probable de l'envoi d'un avis de sécurité régi par la loi fédérale américaine de la protection des consommateurs.

Registre en ligne à [www.dewalt.com/register](http://www.dewalt.com/register).

### Garantie limitée de trois ans

DeWALT réparera, sans frais, tout produit défectueux causé par un défaut de matériel ou de fabrication pour une période de trois ans à compter de la date d'achat. La présente garantie ne couvre pas les pièces dont la défectuosité a été causée par une usure normale ou l'usage abusif de l'outil. Pour obtenir de plus amples renseignements sur les pièces ou les réparations couvertes

par la présente garantie, visiter le site [www.dewalt.com](http://www.dewalt.com) ou composer le 1 800 433-9258 (1 800 4-DeWALT). Cette garantie ne s'applique pas aux accessoires et ne vise pas les dommages causés par des réparations effectuées par un tiers. Cette garantie confère des droits légaux particuliers à l'acheteur, mais celui-ci pourrait aussi bénéficier d'autres droits variant d'un état ou d'une province à l'autre.

En plus de la présente garantie, les outils DeWALT sont couverts par notre :

#### **CONTRAT D'ENTRETIEN GRATUIT D'UN AN**

DeWALT entretiendra l'outil et remplacera les pièces usées au cours d'une utilisation normale et ce, gratuitement, pendant une période d'un an à compter de la date d'achat.

#### **GARANTIE DE REMBOURSEMENT DE 90 JOURS**

Si l'acheteur n'est pas entièrement satisfait, pour quelque raison que ce soit, du rendement de l'outil électrique, du laser ou de la cloueuse DeWALT, celui-ci peut le retourner, accompagné d'un reçu, dans les 90 jours à compter de la date d'achat pour obtenir un remboursement intégral, sans aucun problème.

**AMÉRIQUE LATINE :** cette garantie ne s'applique aux produits vendus en Amérique latine. Pour ceux-ci, veuillez consulter les informations relatives à la garantie spécifique présente dans l'emballage, appeler l'entreprise locale ou consulter le site Web pour les informations relatives à cette garantie.

#### **REPLACEMENT GRATUIT DES ÉTIQUETTES**

**D'AVERTISSEMENT :** si les étiquettes d'avertissement deviennent illisibles ou sont manquantes, composer le 1 800 433-9258 (1 800 4-DeWALT) pour en obtenir le remplacement gratuit.

## Definiciones: Símbolos y palabras de alerta de seguridad

Este manual de instrucciones utiliza los siguientes símbolos y palabras de alerta de seguridad para alertarle de situaciones peligrosas y del riesgo de lesiones corporales o daños materiales.

**!** **PELIGRO:** Indica una situación de peligro inminente que, si no se evita, provocará **la muerte o lesiones graves**.

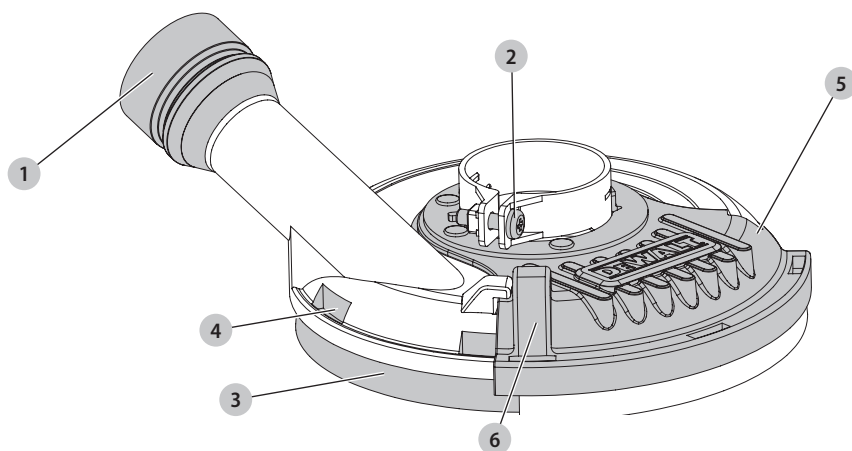
**!** **ADVERTENCIA:** Indica una situación de peligro potencial que, si no se evita, **podría provocar la muerte o lesiones graves**.

**!** **ATENCIÓN:** Indica una situación de peligro potencial que, si no se evita, **posiblemente provocaría lesiones leves o moderadas**.

**!** (Utilizado sin palabras) indica un mensaje de seguridad relacionado.

**AVISO:** Se refiere a una práctica **no relacionada a lesiones corporales** que de no evitarse **puede resultar en daños a la propiedad**.

Fig. A



- 1 Puerto de polvo
- 2 Tornillo de fijación de la abrazadera
- 3 Faldón de escobilla sustitible
- 4 Agujero de remoción de escobilla sustitible
- 5 Puerta de perfil
- 6 Lengüeta de puerta de perfil

**!** **¡ADVERTENCIA!** Lea todas las advertencias de seguridad e instrucciones. El incumplimiento de las advertencias e instrucciones puede provocar descargas eléctricas, incendios o lesiones graves.

**!** **ADVERTENCIA:** Para reducir el riesgo de lesiones, lea el manual de instrucciones.

Si tiene alguna duda o algún comentario sobre ésta u otra herramienta DeWALT, llámenos al número gratuito: 1-800-4-DeWALT (1-800-433-9258).

## ADVERTENCIAS GENERALES DE SEGURIDAD PARA HERRAMIENTAS ELÉCTRICAS



**¡ADVERTENCIA!** Lea todas las advertencias de seguridad e instrucciones. El incumplimiento de las advertencias e instrucciones puede provocar descargas eléctricas, incendios o lesiones graves.

### CONSERVE TODAS LAS ADVERTENCIAS E INSTRUCCIONES PARA FUTURAS CONSULTAS

El término "herramienta eléctrica" incluido en las advertencias hace referencia a las herramientas eléctricas operadas con corriente (con cable eléctrico) o a las herramientas eléctricas operadas con baterías (inalámbricas).

#### 1) Seguridad en el Área de Trabajo

- Mantenga el área de trabajo limpia y bien iluminada.** Las áreas abarrotadas y oscuras propician accidentes.
- No opere las herramientas eléctricas en atmósferas explosivas, como ambientes donde haya polvo, gases o líquidos inflamables.** Las herramientas eléctricas originan chispas que pueden encender el polvo o los vapores.
- Mantenga alejados a los niños y a los espectadores de la herramienta eléctrica en funcionamiento.** Las distracciones pueden provocar la pérdida de control.

#### 2) Seguridad Eléctrica

- Los enchufes de la herramienta eléctrica deben adaptarse al tomacorriente. Nunca modifique el enchufe de ninguna manera. No utilice ningún enchufe adaptador con herramientas eléctricas con conexión a tierra.** Los enchufes no modificados y que se adaptan a los tomacorrientes reducirán el riesgo de descarga eléctrica.
- Evite el contacto corporal con superficies con descargas a tierra como, por ejemplo, tuberías, radiadores, cocinas eléctricas y refrigeradores.** Existe mayor riesgo de descarga eléctrica si su cuerpo está puesto a tierra.
- No esponga las herramientas eléctricas a la lluvia o a condiciones de humedad.** Si entra agua a una herramienta eléctrica, aumentará el riesgo de descarga eléctrica.
- No maltrate el cable. Nunca utilice el cable para transportar, tirar o desenchufar la herramienta eléctrica. Mantenga el cable alejado del calor, el aceite, los bordes filosos y las piezas móviles.** Los cables dañados o enredados aumentan el riesgo de descarga eléctrica.
- Al operar una herramienta eléctrica en el exterior, utilice un cable prolongador adecuado para tal uso.** Utilice un cable adecuado para uso en exteriores a fin de reducir el riesgo de descarga eléctrica.
- Si el uso de una herramienta eléctrica en un lugar húmedo es imposible de evitar, utilice**

**un suministro protegido con un interruptor de circuito por falla a tierra (GFCI).** El uso de un GFCI reduce el riesgo de descargas eléctricas.

#### 3) Seguridad Personal

- Permanezca alerta, controle lo que está haciendo y utilice el sentido común cuando emplee una herramienta eléctrica. No utilice una herramienta eléctrica si está cansado o bajo el efecto de drogas, alcohol o medicamentos.** Un momento de descuido mientras se opera una herramienta eléctrica puede provocar lesiones personales graves.
- Utilice equipos de protección personal. Siempre utilice protección para los ojos.** En las condiciones adecuadas, el uso de equipos de protección, como máscaras para polvo, calzado de seguridad antideslizante, cascos o protección auditiva, reducirá las lesiones personales.
- Evite el encendido por accidente. Asegúrese de que el interruptor esté en la posición de apagado antes de conectarlo a la fuente de energía o paquete de baterías, o antes de levantar o transportar la herramienta.** Transportar herramientas eléctricas con el dedo apoyado en el interruptor o enchufar herramientas eléctricas con el interruptor en la posición de encendido puede propiciar accidentes.
- Retire la clavija de ajuste o la llave de tuercas antes de encender la herramienta eléctrica.** Una llave de tuercas o una clavija de ajuste que quede conectada a una pieza giratoria de la herramienta eléctrica puede provocar lesiones personales.
- No se estire. Conserve el equilibrio y párese adecuadamente en todo momento.** Esto permite un mejor control de la herramienta eléctrica en situaciones inesperadas.
- Use la vestimenta adecuada. No use ropas holgadas ni joyas. Mantenga el cabello, la ropa y los guantes alejados de las piezas en movimiento.** Las ropas holgadas, las joyas o el cabello largo pueden quedar atrapados en las piezas en movimiento.
- Si se suministran dispositivos para la conexión de accesorios con fines de recolección y extracción de polvo, asegúrese de que estén conectados y que se utilicen correctamente.** El uso de dispositivos de recolección de polvo puede reducir los peligros relacionados con el polvo.

#### 4) Uso y Mantenimiento de la Herramienta Eléctrica

- No fuerce la herramienta eléctrica. Utilice la herramienta eléctrica correcta para el trabajo que realizará.** Si se la utiliza a la velocidad para la que fue diseñada, la herramienta eléctrica correcta permite trabajar mejor y de manera más segura.
- ADVERTENCIA:** El uso de accesorios o adaptadores, o el desempeño de cualquier operación con esta



herramienta, distintos a los recomendados en este manual de instrucciones puede representar un riesgo de lesiones personales.

- b) **No utilice la herramienta eléctrica si no puede encenderla o apagarla con el interruptor.** Toda herramienta eléctrica que no pueda ser controlada mediante el interruptor es peligrosa y debe repararse.
- c) **Desconecte el enchufe de la fuente de energía o el paquete de baterías de la herramienta eléctrica antes de realizar ajustes, cambiar accesorios o almacenar la herramienta eléctrica.** Estas medidas de seguridad preventivas reducen el riesgo de encender la herramienta eléctrica en forma accidental.
- d) **Guarde la herramienta eléctrica que no esté en uso fuera del alcance de los niños y no permita que otras personas no familiarizadas con ella o con estas instrucciones operen la herramienta.** Las herramientas eléctricas son peligrosas si son operadas por usuarios no capacitados.
- e) **Realice el mantenimiento de las herramientas eléctricas. Revise que no haya piezas en movimiento mal alineadas o trabadas, piezas rotas o cualquier otra situación que pueda afectar el funcionamiento de la herramienta eléctrica. Si encuentra daños, haga reparar la herramienta eléctrica antes de utilizarla.** Se producen muchos accidentes a causa de las herramientas eléctricas que carecen de un mantenimiento adecuado.
- f) **Mantenga las herramientas de corte afiladas y limpias.** Las herramientas de corte con mantenimiento adecuado y con los bordes de corte afilados son menos propensas a trabarse y son más fáciles de controlar.
- g) **Utilice la herramienta eléctrica, los accesorios y las brocas de la herramienta, etc. de acuerdo con estas instrucciones y teniendo en cuenta las condiciones de trabajo y el trabajo que debe realizarse.** El uso de la herramienta eléctrica para operaciones diferentes de aquéllas para las que fue diseñada podría originar una situación peligrosa.

## 5) Mantenimiento

- a) **Solicite a una persona calificada en reparaciones que realice el mantenimiento de su herramienta eléctrica y que sólo utilice piezas de repuesto idénticas.** Esto garantizará la seguridad de la herramienta eléctrica.

## Reglas de seguridad de la cubierta protectora para esmerilado de superficie

- **No utilice accesorios que no estén diseñados y recomendados específicamente por el fabricante de la herramienta.** El hecho de que el accesorio pueda acoplarse a la herramienta eléctrica no garantiza un funcionamiento sin riesgos.
- **Únicamente use discos de copa de diamante seco con esta cubierta protectora para esmerilado de superficie.** Esta cubierta protectora para esmerilado de superficie no está prevista para ser usada con discos de copa estándar para esmerilar o cortar o escobillas de alambre.
- **La velocidad prevista del accesorio debe ser como mínimo igual a la velocidad máxima marcada en la herramienta eléctrica.** Los accesorios operados a velocidades superiores a su velocidad nominal pueden romperse y salir despedidos.
- **Sostenga la herramienta eléctrica sólo en superficies de agarre aisladas cuando realice una operación en la cual el accesorio para cortar pudiera entrar en contacto con instalaciones eléctricas ocultas o su propio cable.** El contacto de los accesorios de corte con un cable cargado, puede cargar las partes metálicas expuestas de la herramienta eléctrica y producir una descarga eléctrica al operador.
- **Siempre use el mango lateral. o el asa. Ajuste el mango o el asa con firmeza.** Se debe utilizar siempre el mango o el asa para mantener el control de la herramienta en todo momento.
- **No utilice un accesorio dañado. Antes de cada uso inspeccione el accesorio, como por ejemplo el disco de diamante, para verificar si tiene muescas o grietas y la almohadilla de respaldo para verificar si tiene grietas o roturas o si está muy desgastado. Si la herramienta o el accesorio se cae accidentalmente, revise que no esté dañado o, si es necesario, cambie el accesorio por uno que no esté dañado. Después de inspeccionar e instalar un accesorio, colóquese usted y las personas presentes alejados del plano del accesorio en movimiento y ponga la herramienta eléctrica en funcionamiento a la velocidad sin carga máxima durante un minuto.** Si el accesorio está dañado, normalmente se terminará de romper durante este período de prueba.
- **Al arrancar la herramienta con un disco nuevo o de repuesto, sostenga la herramienta en un área bien protegida y hágala funcionar durante un minuto.** Si el disco tiene una grieta o un defecto que pasó desapercibido, se desintegrará o separará en menos de un minuto. Nunca encienda la herramienta si una persona está parada frente al disco. Esta instrucción incluye al operador.
- **Póngase un equipo de protección personal. Dependiendo de la aplicación, use un protector facial y gafas protectoras. Si corresponde, póngase una mascarilla antipolvo, protectores para el oído, guantes y un delantal de trabajo que pueda detener pequeños fragmentos abrasivos o de la pieza de trabajo.** La protección ocular utilizada debe ser capaz de

detener desechos despedidos por las diversas operaciones realizadas con la herramienta. La máscara antipolvo o el respirador debe poder filtrar partículas generadas por la operación realizada. La exposición prolongada a ruidos de alta intensidad puede causar pérdida auditiva.

- **Coloque el cable lejos del accesorio rotativo.** Si pierde el control, el cable puede cortarse o engancharse y puede arrastrar a la mano o el brazo hacia el accesorio rotativo.
- **Nunca suelte la herramienta hasta que el accesorio haya dejado de girar totalmente.** El accesorio rotativo puede aferrarse a la superficie y tirar de la herramienta, haciéndole perder el control de la misma.
- **No ponga en funcionamiento la herramienta eléctrica mientras la transporte a su lado.** El contacto accidental con el accesorio rotativo podría enganchar su ropa y tirar del accesorio hacia su cuerpo.
- **Limpie periódicamente los orificios de ventilación de la herramienta eléctrica.** El ventilador del motor atraerá el polvo dentro de la caja protectora y la acumulación excesiva del metal en polvo puede ocasionar riesgos eléctricos.
- **No utilice la herramienta eléctrica cerca de materiales inflamables.** Las chispas podrían prender fuego a estos materiales.
- **No utilice accesorios que requieran líquidos refrigerantes.** El utilizar agua u otros refrigerantes líquidos puede ocasionar electrocución o descarga.
- **NO use escobillas de alambre con este protector para esmerilado de superficie.**
- **NO use discos abrasivos.**
- **NO esmerile ni corte metal con un disco de copa de diamante.** Los fragmentos podrían aflojarse y salir despedidos.
- **SIEMPRE use un colector de polvo.**



**ADVERTENCIA:** Cuando no la utilice, coloque la esmeriladora en una superficie estable donde no pueda moverse de manera accidental, deslizarse ni provocar tropezones o caídas. Puede resultar en lesiones corporales serias.

## Instrucción Adicional de Seguridad



**ADVERTENCIA:** Use **SIEMPRE** lentes de seguridad. Los anteojos de diario **NO SON** lentes de seguridad. Utilice además una cubrebocas o mascarilla antipolvo si la operación de corte genera demasiado polvo. **SIEMPRE LLEVE EQUIPO DE SEGURIDAD CERTIFICADO:**

- protección ocular ANSI Z87.1 (CAN/CSA Z94.3),
- protección auditiva ANSI S12.6 (S3.19),
- protección respiratoria NIOSH/OSHA/MSHA.



**ADVERTENCIA:** Algunas partículas de polvo generadas al lijar, serrar, esmerilar y taladrar con herramientas eléctricas, así como al realizar otras actividades de construcción, contienen químicos que el Estado de California sabe que pueden producir cáncer, defectos congénitos u otras afecciones reproductivas. Ejemplos de estos químicos son:

- plomo de algunas pinturas en base a plomo,

- polvo de sílice proveniente de ladrillos y cemento y otros productos de albañilería, y
- arsénico y cromo provenientes de madera tratada químicamente.

Su riesgo de exposición a estos químicos varía, dependiendo de la frecuencia con la cual realiza usted este tipo de trabajo. Para reducir su exposición a estas sustancias químicas: trabaje en una zona bien ventilada y llevando equipos de seguridad aprobados, como mascarillas antipolvo especialmente diseñadas para filtrar partículas microscópicas.

- **Evite el contacto prolongado con polvo generado por el lijado, aserrado, pulido, taladrado y otras actividades de construcción. Vista ropas protectoras y lave las áreas de la piel expuestas con agua y jabón.** Si permite que el polvo se introduzca en la boca u ojos o quede sobre la piel, puede favorecer la absorción de productos químicos peligrosos.



**ADVERTENCIA:** La utilización de esta herramienta puede generar polvo o dispersarlo, lo que podría causar daños graves y permanentes al sistema respiratorio, así como otras lesiones. Siempre use protección respiratoria aprobada por NIOSH (Instituto Nacional de Seguridad y Salud en el Trabajo) u OSHA (Administración de Seguridad y Salud en el Trabajo) apropiada para la exposición al polvo. Dirija las partículas en dirección contraria a la cara y el cuerpo.



**ADVERTENCIA:** Antes de comenzar el trabajo, verifique para determinar la clasificación de riesgo del polvo producido. Utilice una aspiradora extractora de polvo industrial apropiada, de la clase de seguridad aprobada oficialmente, y en cumplimiento con sus normativas locales de control de riesgo del polvo.



**ADVERTENCIA:** Siempre lleve la debida protección auditiva personal en conformidad con ANSI S12.6 (S3.19) durante el uso de esta herramienta. Bajo algunas condiciones y duraciones de uso, el ruido producido por este producto puede contribuir a la pérdida auditiva.

- **Los orificios de ventilación suelen cubrir piezas en movimiento, por lo que también se deben evitar.** Las piezas en movimiento pueden atrapar prendas de vestir sueltas, joyas o el cabello largo.

## GUARDE ESTAS INSTRUCCIONES PARA VOLVER A CONSULTAR EN EL FUTURO

### COMPONENTES (FIG. A)



**ADVERTENCIA:** Nunca modifique la herramienta eléctrica, ni tampoco ninguna de sus piezas. Podría producir lesiones corporales o daños.

Consulte la Figura A al principio de este manual para obtener una lista completa de los componentes.

### USO DEBIDO

La cubierta protectora para esmerilado de superficies de concreto fue diseñada para eliminar el polvo de los siguientes: esmerilado, nivelado y pulido de superficies de



## ESPAÑOL

concreto. Puede eliminar el polvo al eliminar la pintura, el pegamento y el adhesivo de las superficies. Al usar la esmeriladora adecuada, el disco de diamante de esmerilar y la aspiradora extractora de polvo, se puede eliminar la mayor cantidad de polvo estático y transportado por el aire, que sin el uso de la cubierta protectora para esmerilado de superficie podría contaminar el entorno de trabajo o suponer un riesgo elevado para la salud del operador y de las personas a su alrededor. Esta esmeriladora para superficies de concreto debe usarse SIEMPRE con una aspiradora extractora de polvo diseñada para la eliminación de polvo de concreto.

**NO** utilice la herramienta en condiciones de humedad o en presencia de líquidos o gases inflamables.

La cubierta protectora para esmerilado de superficie es una herramienta profesional.

**NO** permita que los niños toquen la herramienta. Si el operador no tiene experiencia operando esta herramienta, su uso deberá ser supervisado.

## MONTAJE Y AJUSTES

**⚠** **ADVERTENCIA:** Para reducir el riesgo de lesiones personales graves, apague la herramienta y desconéctela de la fuente de alimentación antes de realizar ajustes o de retirar/instalar dispositivos o accesorios. Un arranque accidental podría causar lesiones. Esto es relevante para la esmeriladora y la aspiradora extractora de polvo. Dichas medidas de seguridad preventiva reducen el riesgo de poner en marcha la herramienta accidentalmente.

## Cómo montar y sacar la cubierta protectora para esmerilado de superficie

**⚠** **ADVERTENCIA:** Cuando afloje el tornillo de sujeción, compruebe que este quede unido a la campana.

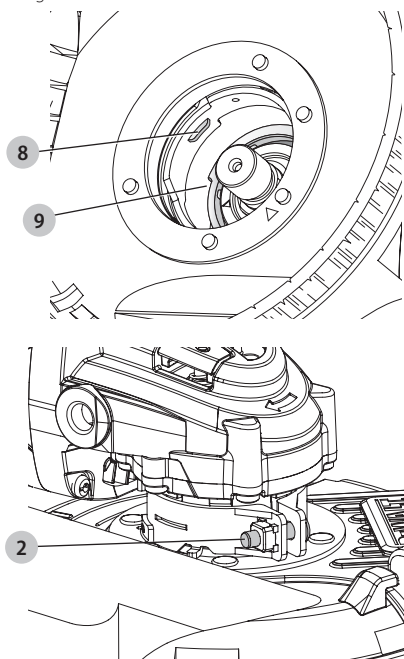
1. Siga las instrucciones de Montaje y desmontaje del protector en el manual de la herramienta para quitar el protector de la esmeriladora.
2. Abra el tornillo de ajuste de fijación **2** sobre la campana pulidora y alinee las pestañas ubicadas **8** sobre la campana pulidora con las ranuras de **9** de la caja de cambios de la pulidora.
3. Con la palanca de fijación abierta, gire la campana hacia la posición de trabajo deseada. La campana pulidora debe ubicarse entre el eje y el operador, para ofrecer la máxima protección al operador.
4. Cierre la palanca de fijación para fijar la campana pulidora sobre la caja de transmisión. Apriete el tornillo de ajuste de fijación **2** para garantizar que la campana se fije en la caja de transmisiones. Para mejor posicionamiento, el disco de diamante debe pasar sobre las escobillas 3,18 mm (1/8 pulg.). Si la piedra diamantada pasa dentro de la cubierta o se encuentra más arriba que 6,35 mm (1/4 pulg.), la cubierta no funcionará adecuadamente.

**AVISO:** Si la campana pulidora no puede apretarse fijando el tornillo de ajuste de fijación, no utilice la

herramienta y lleve la herramienta y la campana pulidora a un centro de reparaciones para reparar o sustituir la campana pulidora.

5. Para retirar la campana pulidora, abra la palanca de fijación, gire la campana pulidora para alinear las ranuras y las pestañas y tire hacia arriba la campana pulidora.

Fig. B

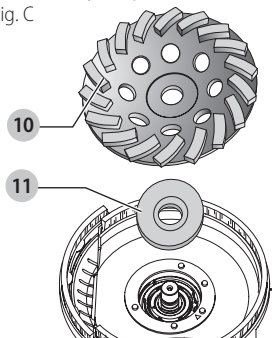


## Montaje de discos de copa de diamante seco para superficie (Fig. C)

Siga las instrucciones de montaje y uso de discos de corte en el manual de la herramienta y monte el disco de esmerilar. NO use discos de corte tipo 1 ni discos abrasivos.

Se recomienda el uso de discos de diamante seco **10** para esta cubierta. La arandela de la pestaña interna **11** debe instalarse detrás del disco, lo que permite quitar la herramienta libremente y un ajuste adecuado.

Fig. C





## Extracción de polvo (Fig. A, D)

**⚠ ADVERTENCIA:** Únicamente use herramientas eléctricas recomendadas por DeWALT con este accesorio.

Para más información sobre las herramientas eléctricas de DeWALT compatibles con este accesorio, póngase en contacto con el proveedor local, llamando al 1-800-4-DeWALT (1-800-433-9258) o visite nuestro sitio web [www.DeWALT.com](http://www.DeWALT.com).

**⚠ ADVERTENCIA:** Este accesorio DEBE usarse con un sistema extractor de polvo. SIEMPRE use una mascarilla protectora o antipolvo certificada.

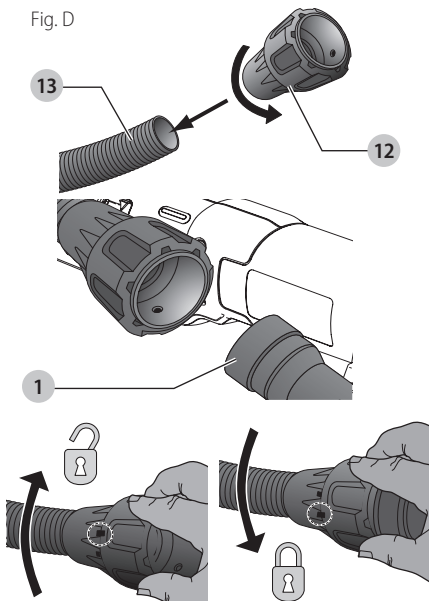
**NOTA:** Asegure que la conexión de la manguera es segura.

**NOTA:** La cantidad de polvo retenido en la aspiradora extractora de polvo depende de su sistema de filtro. Consulte el manual de instrucciones de la aspiradora extractora de polvo para obtener más información.

Todas las cubiertas de recolección de polvo de DeWALT están diseñadas para funcionar con el conector universal DWV9000 de DeWALT.

1. Ajuste el conector DWV9000 **12** a la manguera del colector de polvo **13**.
2. Desbloquee el conector DWV9000 **12** y deslícelo sobre el puerto de polvo **1**.
3. Cierre el conector DWV9000 **12** para asegurarlo.

Fig. D



## Mangueras tradicionales de la aspiradora extractora de polvo

Ajuste la manguera de la aspiradora extractora de polvo recomendada al puerto de polvo **1**.

## OPERACIÓN

**⚠ ADVERTENCIA:** Para reducir el riesgo de lesiones personales graves, apague la herramienta y desconéctela de la fuente de alimentación antes de realizar ajustes o de retirar/installar dispositivos o accesorios. Un arranque accidental podría causar lesiones. **Esto es relevante para la esmeriladora y la aspiradora extractora de polvo.** Estas medidas de seguridad preventiva reducen el riesgo de poner en marcha la herramienta accidentalmente.

**⚠ ADVERTENCIA:** Por su propia seguridad, lea el manual de instrucciones para la esmeriladora y la aspiradora extractora de polvo antes de usar los accesorios. De no seguir estas advertencias podrían producirse lesiones corporales y graves daños a la herramienta y al accesorio. Cuando realice el mantenimiento de esta herramienta, utilice únicamente repuestos originales.

**NOTA:** La cantidad de polvo retenido en la aspiradora extractora de polvo depende de su sistema de filtro. Consulte el manual de instrucciones de la aspiradora extractora de polvo para obtener más información.

1. Asegure que se completaron todas las instrucciones de ensamblado.
2. Encienda la aspiradora extractora de polvo como se indica en el manual de instrucciones de la aspiradora extractora de polvo.
3. Encienda la herramienta como se indica en el manual de instrucciones y permita que llegue a velocidad completa antes de hacer contacto con la superficie de trabajo.
4. Coloque la cubierta protectora para esmerilado de superficie en una superficie de trabajo plana como el suelo o una pared, y comience a esmerilar.
5. Cuando se complete el esmerilado de la superficie, apague la herramienta y desconéctela de la fuente de alimentación. Permita que la herramienta deje de girar antes de soltarla.

**NOTA:** La cubierta protectora para esmerilado de superficie y la aspiradora extractora de polvo únicamente serán eficaces si se usan con un disco de copa de diamante en una superficie plana.

## Instalación de la unidad del asa

1. Tire ligeramente de los tornillos de mariposa del asa hacia afuera de manera que sus extremos roscados queden dentro del asa.
2. Coloque la unidad del asa por encima de la caja de engranajes de la esmeriladora alineando los tornillos de mariposa con los orificios roscados y las orejetas en la caja de engranajes con las ranuras de la unidad del asa.
3. Apriete los tornillos de mariposa para asegurar el asa a la esmeriladora.

## Ajuste del ángulo del asa

1. Afloje ambos tornillos de mariposa 2 vueltas completas.

## ESPAÑOL

2. Gire el asa hasta la posición deseada de 45° o 90° asegurándose de que las ranuras de detención estén alineadas.
3. Vuelva a apretar los tornillos de mariposa para asegurar el asa a la esmeriladora.

### Aplicación de uso en perfiles (Fig. A)

Esta cubierta para esmerilado de concreto tiene una característica de puerta que permite esmerilado nivelado contra una pared.

1. Apague la herramienta y desconéctela de la fuente de alimentación.
2. Con la lengüeta de la puerta de perfil ⑥, gire la puerta de perfil hasta que se bloquee en la posición abierta.
3. Conecte la herramienta a la fuente de alimentación.
4. Posicione las manos y el cuerpo lejos del disco y de la abertura de la puerta.
5. Coloque el borde de la puerta en la superficie de trabajo, encienda la herramienta y comience a esmerilar. Quite la herramienta de la superficie de trabajo antes de apagarla.
6. Cuando se complete el esmerilado de la superficie, apague la herramienta y desconéctela de la fuente de alimentación. Permita que la herramienta deje de girar antes de soltarla.
7. Con la lengüeta de la puerta de perfil ⑥, gire la puerta hasta que se bloquee en la posición cerrada.

### MANTENIMIENTO



**ADVERTENCIA:** Para reducir el riesgo de lesiones personales graves, apague la herramienta y desconéctela de la fuente de alimentación antes de realizar ajustes o de retirar/installar dispositivos o accesorios. Un arranque accidental podría causar lesiones. **Esto es relevante para la esmeriladora y la aspiradora extractora de polvo.** Estas medidas de seguridad preventiva reducen el riesgo de poner en marcha la herramienta accidentalmente.

### Cambio del faldón de escobilla (Fig. A)

1. Apague la herramienta y desconéctela de la fuente de alimentación.
2. Quite el faldón de escobilla desgastado de los agujeros de remoción del faldón de escobilla ④.
3. Presione el faldón de escobilla nuevo en los agujeros de remoción del faldón de escobilla hasta que se asegure.

Los faldones de escobilla de recambio están disponibles a un costo adicional en el proveedor local o el centro de servicio autorizado. Si necesita ayuda para ubicar cualquier accesorio, póngase en contacto con DeWALT Industrial Tool Co., 701 East Joppa Road, Towson, MD 21286, llame al 1-800-4-DeWALT (1-800-433-9258) o visite nuestro sitio web: [www.DeWALT.com](http://www.DeWALT.com).

### Limpieza



**ADVERTENCIA:** Sople la suciedad y el polvo de todos los conductos de ventilación con aire seco, al menos una vez por semana. Para reducir el riesgo de lesiones, utilice siempre protección para los ojos aprobada ANSI Z87.1 al realizar esta tarea.



**ADVERTENCIA:** Nunca utilice solventes ni otros químicos abrasivos para limpiar las piezas no metálicas de la herramienta. Estos productos químicos pueden debilitar los materiales plásticos utilizados en estas piezas. Utilice un paño humedecido sólo con agua y jabón neutro. Nunca permita que penetre líquido dentro de la herramienta ni sumerja ninguna de las piezas en un líquido.

### Accesorios



**ADVERTENCIA:** Debido a que no se han probado con este producto otros accesorios que no sean los que ofrece DeWALT, el uso de dichos accesorios con esta herramienta podría ser peligroso. Para reducir el riesgo de lesiones, con este producto deben usarse sólo los accesorios recomendados por DeWALT.

Los accesorios que se recomiendan para utilizar con la herramienta están disponibles a un costo adicional en su distribuidor local o en un centro de mantenimiento autorizado. Si necesita ayuda para localizar algún accesorio, póngase en contacto con DeWALT Industrial Tool Co., 701 East Joppa Road, Towson, MD 21286, llame al 1-800-4-DeWALT (1-800-433-9258) o visite nuestro sitio web: [www.dewalt.com](http://www.dewalt.com).

### Reparaciones



**ADVERTENCIA:** Para asegurar la SEGURIDAD y la CONFIABILIDAD del producto, las reparaciones, el mantenimiento y los ajustes (inclusive la inspección y el cambio de las escobillas, cuando proceda) deben ser realizados en un centro de mantenimiento en la fábrica DeWALT u en un centro de mantenimiento autorizado DeWALT. Utilice siempre piezas de repuesto idénticas.

**Para reparación y servicio de sus herramientas eléctricas, favor de dirigirse al Centro de Servicio más cercano**

#### CULIACAN, SIN

Bvd. Emiliano Zapata 5400-1 Poniente Col. (667) 717 89 99  
San Rafael

#### GUADALAJARA, JAL

Av. La Paz #1779 - Col. Americana Sector (33) 3825 6978  
Juárez

#### MEXICO, D.F.

Eje Central Lázaro Cárdenas No. 18 - Local (55) 5588 9377  
D, Col. Obrera

#### MERIDA, YUC

Calle 63 #459-A - Col. Centro (999) 928 5038

**MONTERREY, N.L.**

Av. Francisco I. Madero 831 Poniente - Col. (818) 375 23 13  
Centro

**PUEBLA, PUE**

17 Norte #205 - Col. Centro (222) 246 3714

**QUERETARO, QRO**

Av. San Roque 274 - Col. San Gregorio (442) 2 17 63 14

**SAN LUIS POTOSI, SLP**

Av. Universidad 1525 - Col. San Luis (444) 814 2383

**TORREON, COAH**

Blvd. Independencia, 96 Pte. - Col. Centro (871) 716 5265

**VERACRUZ, VER**

Prolongación Díaz Mirón #4280 - Col. (229) 921 7016  
Remes

**VILLAHERMOSA, TAB**

Constitución 516-A - Col. Centro (993) 312 5111

**PARA OTRAS LOCALIDADES:**

**Si se encuentra en México, por favor llame al  
(55) 5326 7100**

**Si se encuentra en U.S., por favor llame al  
1-800-433-9258 (1-800 4-DeWALT)**

**Póliza de Garantía**

IDENTIFICACIÓN DEL PRODUCTO:

Sello o firma del Distribuidor.

Nombre del producto: \_\_\_\_\_

Mod./Cat.: \_\_\_\_\_

Marca: \_\_\_\_\_

Núm. de serie: \_\_\_\_\_

(Datos para ser llenados por el distribuidor)

Fecha de compra y/o entrega del producto: \_\_\_\_\_

Nombre y domicilio del distribuidor donde se adquirió el producto:

Este producto está garantizado por un año a partir de la fecha de entrega, contra cualquier defecto en su funcionamiento, así como en materiales y mano de obra empleados para su fabricación. Nuestra garantía incluye la reparación o reposición del producto y/o componentes sin cargo alguno para el cliente, incluyendo mano de obra, así como los gastos de transportación razonablemente erogados derivados del cumplimiento de este certificado.

Para hacer efectiva esta garantía deberá presentar su herramienta y esta póliza sellada por el establecimiento comercial donde se adquirió el producto, de no contar con ésta, bastará la factura de compra.

**Excepciones**

Esta garantía no será válida en los siguientes casos:

- Cuando el producto se hubiese utilizado en condiciones distintas a las normales;

- Cuando el producto no hubiese sido operado de acuerdo con el instructivo de uso que se acompaña;
- Cuando el producto hubiese sido alterado o reparado por personas distintas a las enlistadas al final de este certificado.

Anexo encontrará una relación de sucursales de servicio de fábrica, centros de servicio autorizados y franquiciados en la República Mexicana, donde podrá hacer efectiva su garantía y adquirir partes, refacciones y accesorios originales.

**Registro en línea**

Gracias por su compra. Registre su producto ahora para:

- **SERVICIO EN GARANTÍA:** Si completa esta tarjeta, podrá obtener un servicio en garantía más eficiente, en caso de que exista un problema con su producto.
- **CONFIRMATCIÓN DE PROPIEDAD:** En caso de una pérdida que cubra el seguro, como un incendio, una inundación o un robo, el registro de propiedad servirá como comprobante de compra.
- **PARA SU SEGURIDAD:** Si registra el producto, podremos comunicarnos con usted en el caso improbable que se deba enviar una notificación de seguridad conforme a la Federal Consumer Safety Act (Ley Federal de Seguridad de Productos para el Consumidor).

Registro en línea en [www.dewalt.com/register](http://www.dewalt.com/register).

**Garantía limitada por tres años**

DeWALT reparará, sin cargo, cualquier falla que surja de defectos en el material o la fabricación del producto, por hasta tres años a contar de la fecha de compra. Esta garantía no cubre fallas de las piezas causadas por su desgaste normal o abuso a la herramienta. Para mayores detalles sobre la cobertura de la garantía e información acerca de reparaciones realizadas bajo garantía, visítenos en [www.dewalt.com](http://www.dewalt.com) o diríjase al centro de servicio más cercano. Esta garantía no aplica a accesorios o a daños causados por reparaciones realizadas o intentadas por terceros. Esta garantía le otorga derechos legales específicos, además de los cuales puede tener otros dependiendo del estado o la provincia en que se encuentre. Además de la garantía, las herramientas DeWALT están cubiertas por:

**1 AÑO DE SERVICIO GRATUITO**

DeWALT mantendrá la herramienta y reemplazará las piezas gastadas por su uso normal, sin cobro, en cualquier momento durante un año a contar de la fecha de compra. Los artículos gastados por la clavadora, tales como la unidad de hoja y retorno del impulsador, no están cubiertas.

**GARANTÍA DE REEMBOLSO DE SU DINERO POR 90 DÍAS**

Si no está completamente satisfecho con el desempeño de su máquina herramienta, láser o clavadora DeWALT, cualquiera sea el motivo, podrá devolverlo hasta 90 días de la fecha de compra con su recibo y obtener el reembolso completo de su dinero – sin necesidad de responder a ninguna pregunta.

## ESPAÑOL

**AMÉRICA LATINA:** Esta garantía no se aplica a los productos que se venden en América Latina. Para los productos que se venden en América Latina, debe consultar la información de la garantía específica del país que viene en el empaque, llamar a la compañía local o visitar el sitio Web a fin de obtener esa información.

**REEMPLAZO GRATUITO DE LAS ETIQUETAS DE ADVERTENCIAS:** Si sus etiquetas de advertencia se vuelven ilegibles o faltan, llame al 1-800-433-9258 (1-800-4-DeWALT) para que se le reemplacen gratuitamente.

Solamente para propósito de México:

Importado por: DeWALT Industrial Tool Co. S.A. de C.V.

Avenida Antonio Dovali Jaime, # 70 Torre B Piso 9

Colonia La Fe, Santa Fé

Código Postal : 01210

Delegación Alvaro Obregón

México D.F.

Tel. (52) 555-326-7100

R.F.C.: BDE810626-1W7



DeWALT Industrial Tool Co., 701 East Joppa Road, Towson, MD 21286  
(MAY19) Part No. N744359 DWE46152 Copyright © 2015, 2017 DeWALT

The following are trademarks for one or more DeWALT power tools: the yellow and black color scheme, the “D” shaped air intake grill, the array of pyramids on the handgrip, the kit box configuration, and the array of lozenge-shaped humps on the surface of the tool.