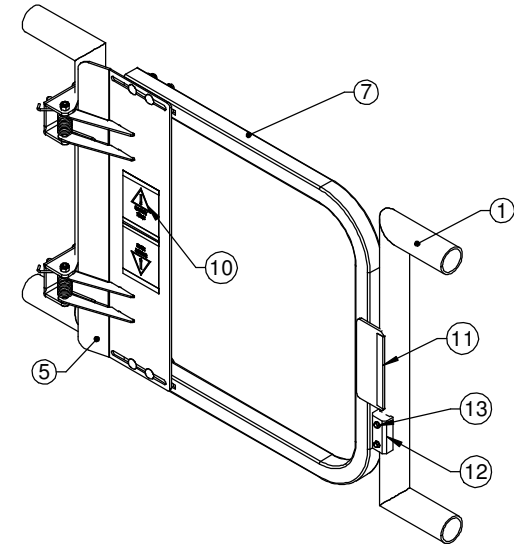
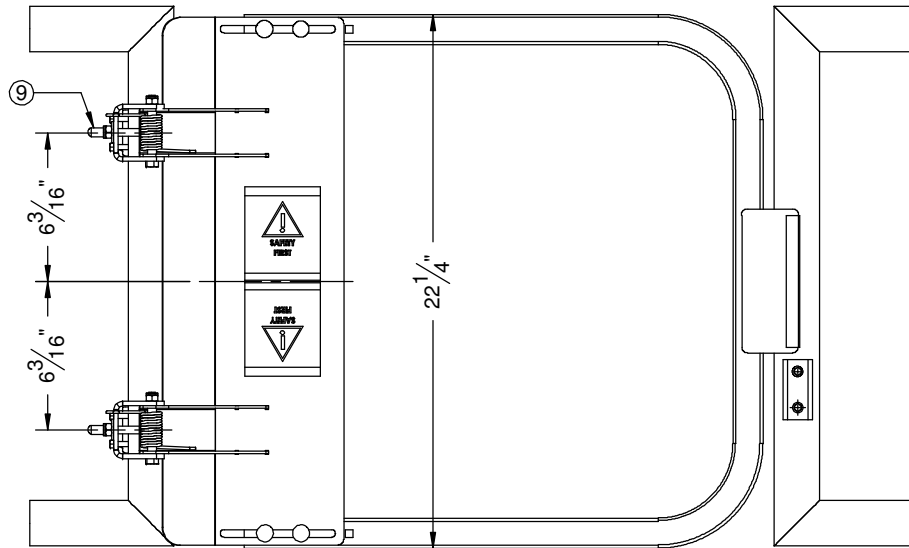
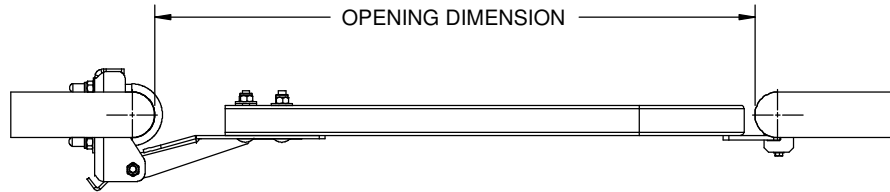


F:\Solid Works\Ladder Safety Gate (LSG)\LSG ALUM\Alum hinge Assy; 1/4/2012 PRODUCT REVISION: A

Model #	Discription	Opening Ranges
LSG-18-ALU	Ladder Safety Gate ALUM 18	16-3/4" - 20-1/2"
LSG-21-ALU	Ladder Safety Gate ALUM 21	19-3/4" - 23-1/2"
LSG-24-ALU	Ladder Safety Gate ALUM 24	22-3/4" - 26-1/2"
LSG-27-ALU	Ladder Safety Gate ALUM 27	25-3/4" - 29-1/2"
LSG-30-ALU	Ladder Safety Gate ALUM 30	28-3/4" - 32-1/2"
LSG-33-ALU	Ladder Safety Gate ALUM 33	31-3/4" - 35-1/2"
LSG-36-ALU	Ladder Safety Gate ALUM 36	34-3/4" - 38-1/2"

ITEM NO.	PART NO.	DESCRIPTION	QTY.	U/M
2		Washer;Flat 5/16"Zn	8	
4	501126	Nut;Nylock 5/16"18 Zn	8	EA
7		LSG; Hoop-24-MS	1	
8		LSG; Strike Plate-ALUM	1	
9		LSG; Cap Plastic for 5/16 bolt	4	
10	500569	DECAL;FALL HAZARD WARN STICKER	1	EA
11		WS;Single Lip Trim, .390X.52	1	
12		LSG;UHMW Support Block	1	
13		Screw;HexDrill14x2Zn	2	



FINISH:		FABRICATION QNTY: NONE		PART #: Alum hinge Assy	
PRODUCT DESCRIPTION: Ladder Safety Gate Alum XX		SN/WO: 18XXX		DATE: 1/4/2012	
CUSTOMER: REF. ONLY		DWG STATUS: REFERENCE DRAWING - NOT FOR CONSTRUCTION		PRODUCT LINE: YELLOW	
CUSTOMER PO #:				SCALE: NTS	
SALES ORDER NAME:		ESTIMATED PART WEIGHT:		PRODUCT CODE: LSG	
FOLDING MACHINE PROGRAM #:		SALES ORDER #		SHEET #: 1 OF 1	
WATERJET PROGRAM #:		DWG #: Alum hinge Assy		DWG. REV: 0	
		DWG BY: rbuchholz		CHECKED: SZ /	

PROPRIETARY AND CONFIDENTIAL
 DRAWINGS ARE EXCLUSIVE PROPERTY OF
 PRODUCTION SPECIALTIES CORPORATION, dba
 PS DOORS AND CANNOT BE USED IN WHOLE OR
 PART WITHOUT WRITTEN CONSENT. © 2012
 PS DOORS ALL RIGHTS RESERVED

PS DOORS
 MANUFACTURING DIVISION
 1150 S 48th ST
 GRAND FORKS, ND 58201
 PH. 701-746-4519
 FAX 701-746-8340