



PS DOORS

SAFETY PRODUCTS GROUP

INSTALLATION INSTRUCTIONS

• Angle Iron Ladder Safety Gate Adapter Brackets



To Contact PS DOORS:

By Mail: PS DOORS
Safety Products Group
1150 S. 48th Street
Grand Forks, ND 58201

By Fax: 1-701-746-8340

Website: www.psddoors.com

By Phone: Phone 1-701-746-4519

By Email: 4psinfo@psdoors.com

NOTICE This product is designed to work with the Ladder Safety Gate for various mounting applications. Once adapter brackets are installed refer to the Ladder Safety Gate O&M Manual for proper installation of the Ladder Safety Gate. Failure to do so may result in product failure.

Adapter Bracket Kit Includes:

LSG-AC2-2206GAL and LSG-AC2-2206PCY
The LSG-Angle Clampfront and Back are the only parts different between the GAL and PCY Kit

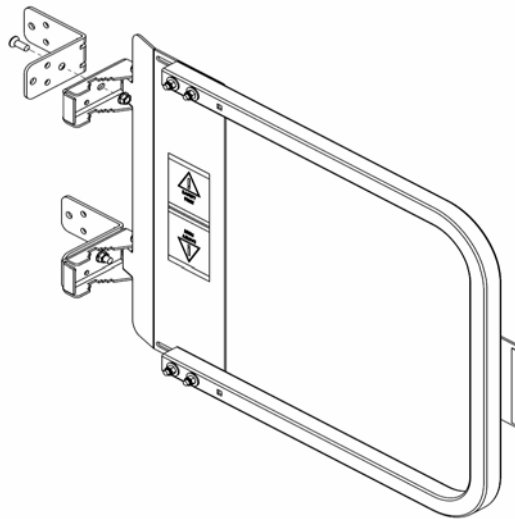
Part #	Description	Qty
500924	LSG; Angle Clamp Back-GAL	2
500926	or LSG; Angle Clamp Back-PCY	
500928	LSG; Angl Clamp Front-GAL	2
500930	or LSG; Angle Clamp Front-PCY	
501484	Screw;FISlotMach3/8"1 6x1Zn	2
501085	Nut; Flange 3/8"16Gr2Zn	2
500418	Bolt; Hex 5/16" 18x1 1/2Gr5Zn	8
500392	Bolt; Hex 3/8" 16x1 1/2Gr5Zn	4
501126	Nut; Nylock 5/16"18Zn	8
501120	Nut; Nylock 3/8"16Zn	4

* These items are used for angles greater than 2 1/2", they replace the 5/16" nuts and bolts.

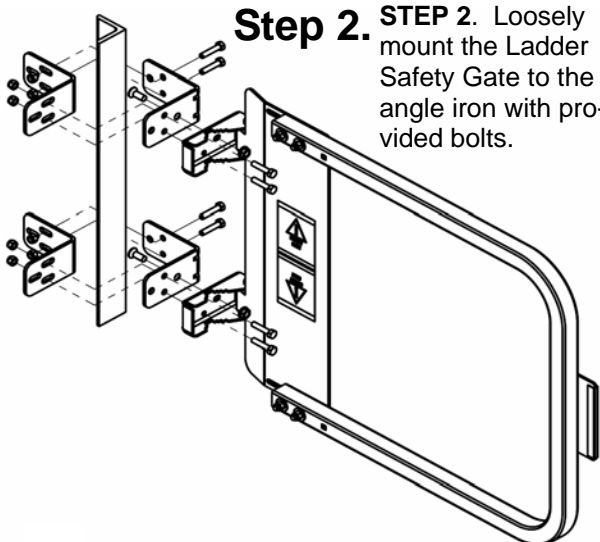
LSG-AC2-2206SST

500927	LSG; Angle Clamp Back-SST	2
500931	LSG; Angle Calmp Front-SST	2
502153	Screw;FISlotMach3/8"16x1 SST	2
501086	Nut; Flange 3/8"16 SS	2
500419	Bolt; Hex 5/16"18x1 1/2 SS	8
500394	Bolt; Hex 3/8"16x1 1/2 SS	4
501121	Nut; Nylock 5/16"18 SS	8
501119	Nut; Nylock 3/8"16 SS	4

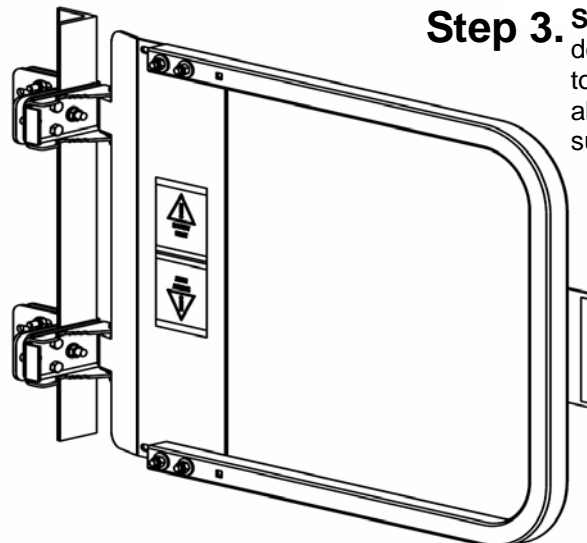
*Quantities for Large Gates (LSG-AC3-2206XXX) will include a total of three (3) Angle connections (drawing shows two).



STEP 1. Attach angle iron adapter bracket to the Ladder Safety Gate mounting bracket with provided bolt.



Step 2. Loosely mount the Ladder Safety Gate to the angle iron with provided bolts.



Step 3. Adjust the Ladder Safety Gate so the top of the gate is 42' above platform/walking surface. Tighten all bolts.