



INSTALLATION INSTRUCTIONS

● Flat Bar Ladder Safety Gate Adapter Brackets



To Contact PS DOORS:

By Mail: PS DOORS
Safety Products Group
1150 S. 48th Street
Grand Forks, ND 58201

By Fax: 1-701-746-8340

Website: www.psddoors.com

By Phone: Phone 1-701-746-4519
Toll Free 1-877-446-1519

By Email: 4psinfo@psdoors.com

NOTICE This product is designed to work with the Ladder Safety Gate for various mounting applications. Once adapter brackets are installed refer to the Ladder Safety Gate O&M Manual for proper installation of the Ladder Safety Gate. Failure to do so may result in product failure.

Adapter Bracket Kit Includes:

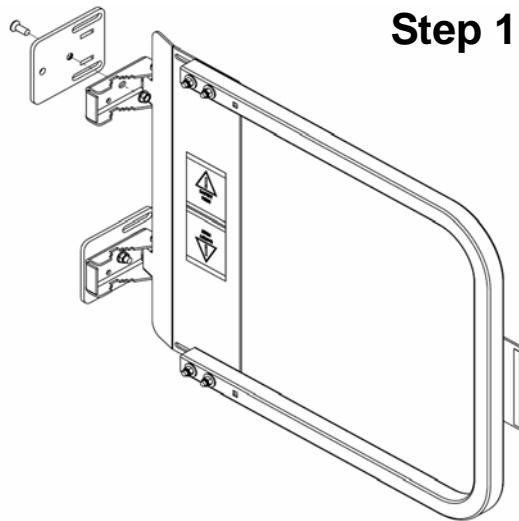
LSG-FB2-2205GAL and LSG-FB2-2205PCY
The LSG-Flat Bar Front and Back are the only parts different between the GAL and PCY Kit

Part #	Description	QTY.
500933 500935	LSG; Flat Bar Adapt-Back-GAL or LSG; Flat Bar Adapt-Back-PCY	2
500937 500939	LSG; Flat Bar Adapt-Front-GAL or LSG; Flat Bar Adapt-Front-PCY	2
501484	Screw: FISlotMach 3/8" 16x1 Zn	2
500392	Bolt; Hex 3/8" 16x1 1/2 Gr5 Zn	6
501120	Nut; Nylock 3/8" 16 Zn	6
501085	3/16"-16 Flanglock Nut	2

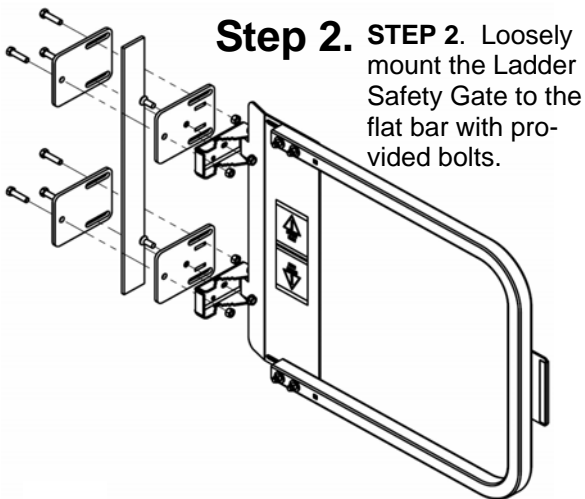
LSG-FB2-2205SST

500936	LSG; Flat Bar Adapt-Back-SST	2
500940	LSG; Flat Bar Adapt-Front-SST	2
502153	Screw: FISlotMach 3/8" 16x1 SST	2
501086	Nut; Flange 3/8" 16 SS	2
500394	Bolt; Hex 3/8" 16x1 1/2 SS	6
501119	Nut; Nylock 3/8" 16 SS	6

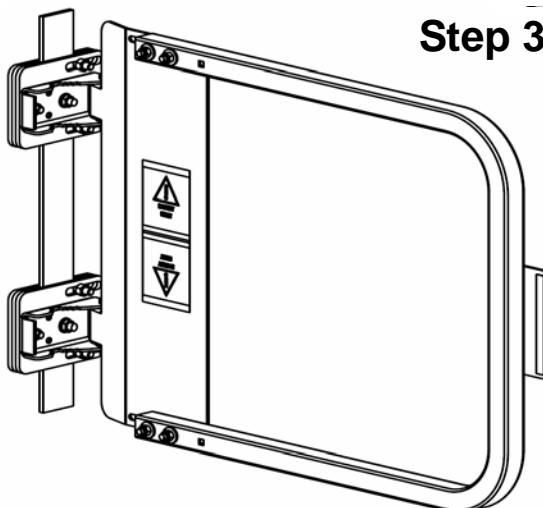
*Quantities for Large Gates (LSG-FB3-2205XXX) will include a total of three (3) Flat Bar connections (drawing shows two).



Step 1. STEP 1. Attach flat bar adapter bracket to the Ladder Safety Gate mounting bracket with provided bolt.



Step 2. STEP 2. Loosely mount the Ladder Safety Gate to the flat bar with provided bolts.



Step 3. STEP 3. Adjust the Ladder Safety Gate so the top of the gate is 42" above platform/walking surface. Tighten all bolts.