

Owner's Manual Velo™ & Velo™ Pro HEPA Attachment

Model F518

DRI-EAZ PRODUCTS, INC.

15180 Josh Wilson Road, Burlington, WA 98233, USA

Phone: +1 800-932-3030 Fax: +1 360-757-7950 www.dri-eaz.com

The HEPA Attachment allows the Velo and Velo Pro to be used for general air scrubbing applications.

Patents: <http://www.LBpatents.com>

READ AND SAVE THESE INSTRUCTIONS



NOTICE: Always operate the unit on a stable, level surface so it cannot fall and cause injury.

WARNING! Do not alter or modify this product in any way. Use only replacement parts

authorized by Dri-Eaz Products, Inc. Modifications or use of unapproved parts could create a hazard and will void your warranty. Contact your authorized Dri-Eaz distributor for assistance.

Warranty registration

Please visit warranty.dri-eaz.com to register your purchase. Registration allows us to better assist you with using, maintaining or servicing our equipment and to contact you in case we have important safety information concerning your Dri-Eaz product.

TIP: Retain the product box for convenient storage and transport.

INSTALLATION INSTRUCTIONS

Follow the steps indicated below to install the HEPA attachment to your Velo unit.

MAINTENANCE

Change Prefilter Cover whenever dust accumulation is visible. Part F520 (20 pack).

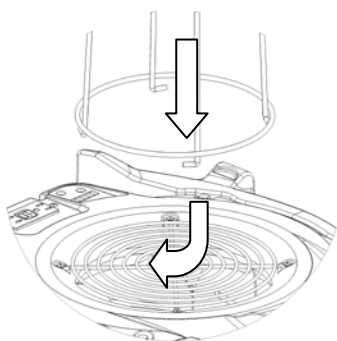
Change HEPA filter when airflow is noticeably reduced. Part F519 (1 pack).

SPECIAL INSTRUCTIONS: When used for water damage restoration, mold remediation, or other conditions where dangerous contaminants may be present, **both filters should be replaced after each job to help prevent cross-contamination.** Before installing new filters, vacuum and damp wipe top plate and wire frame according to current ANSI/IICRC standards for remediation. Remove filters and clean unit before removing it from the containment area to avoid cross-contamination. Allow the unit to dry before installing clean filters.

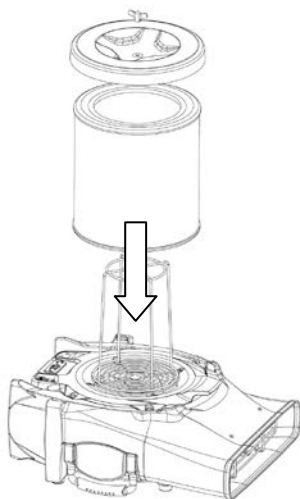
FOR QUESTIONS, CALL YOUR LOCAL DISTRIBUTOR or contact the Dri-Eaz Service Department at 800-932-3030.

Fig. A: Installing the HEPA Attachment

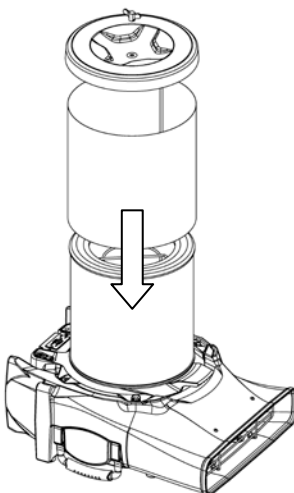
1. Center the filter frame over the top of the impeller assembly. With frame hooks in place under intake grill, Rotate the frame clockwise until the hooks fit under the intake grill crossbars.



2. Slide HEPA filter element down over filter frame. Ensure filter is centered over the Velo air intake.



3. Pull prefilter cover down over HEPA filter element.



4. Place top plate over HEPA filter assembly and tighten with wingnut. This will lock the filter assembly snugly to the aircover. Do not overtighten.

