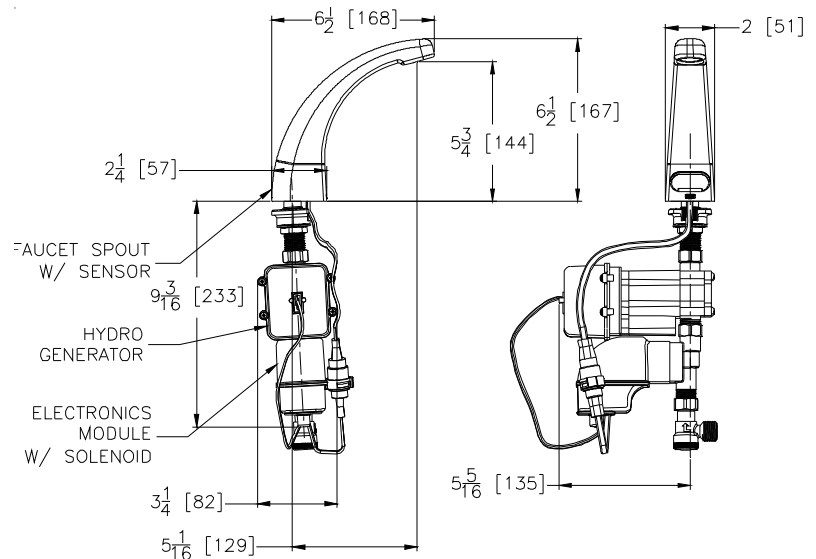


Z6913-XL-GEN

Lavatory Faucet with Hydroelectric Generator



Shown with -CP4 option



Flow Control Options

- J* 1.5 gpm/ 5.7 Lpm Vandal-Resistant Laminar Flow
- K* 1.0 gpm/ 3.8 Lpm Vandal-Resistant Laminar Flow
- L 1.0 gpm/ 3.8 Lpm Vandal-Resistant Aerator

Engineering Specification

ADA compliant, chrome plated sensor faucet for retrofit and new construction.

- Flow Rate
 - 1.5 gpm Vandal Resistant Aerator (-E*)
- Occupant Detection
 - Infrared convergence-type proximity sensor
 - Thirty Second Time out feature
- Spout module
 - Chrome Plated Cast Brass
- Also Includes
 - In-line filter
 - Inlet for a 1/2"[13] ball riser

Architectural/Engineering Approval

The information contained in this document is subject to change without notice.
Please contact Zurn for most up to date information.

ZURN INDUSTRIES, LLC. ♦ COMMERCIAL BRASS OPERATION
 5900 ELWIN BUCHANAN DRIVE ♦ SANFORD NC 27330
 PHONE: 1-800-997-3876 ♦ FAX: 919-775-3541
 WWW.ZURN.COM
 IN CANADA: ZURN INDUSTRIES LIMITED
 7900 GOREWAY DRIVE UNIT 10 ♦ BRAMPTON, ONTARIO L6T5W6
 PHONE: 905-405-8272 FAX: 905-405-1292

Accessories

- ADM Above Deck Mixer
- ADM-1 Above Deck Mixer w/4" Cover Plate
- ADM-2 Above Deck Mixer w/8" Cover Plate
- CP4 Cover Plate 4"[102] Centers
- CP8 Cover Plate 8"[203] Centers
- DSA Drug Screening Applications (Hardwired Applications)
- H4 Wrist Blade Handle for ADM
- MT Mixing Tee
- MV Temperature Mixing Valve
- SH Supply Hoses for Mixing Valve
- SSH Single Stainless Supply Hose (-XL)
- TMV Thermostatic Mixing Valve for Multiple Faucets
- TMV-1 Thermostatic Mixing Valve for Single Faucets
- _____ Other



* This product should be used with a WaterSense labeled counterpart with a compatible flush volume to ensure that the entire system meets the requirements for water efficiency and performance.

Zurn Lead Free products (-XL) is the line of durable, high quality brass faucets and fixtures that are designed and manufactured to comply with Section 1417 of the Safe Drinking Water Act (SDWA) which mandates the weighted average lead content of no more than 0.25% of the wetted surface.