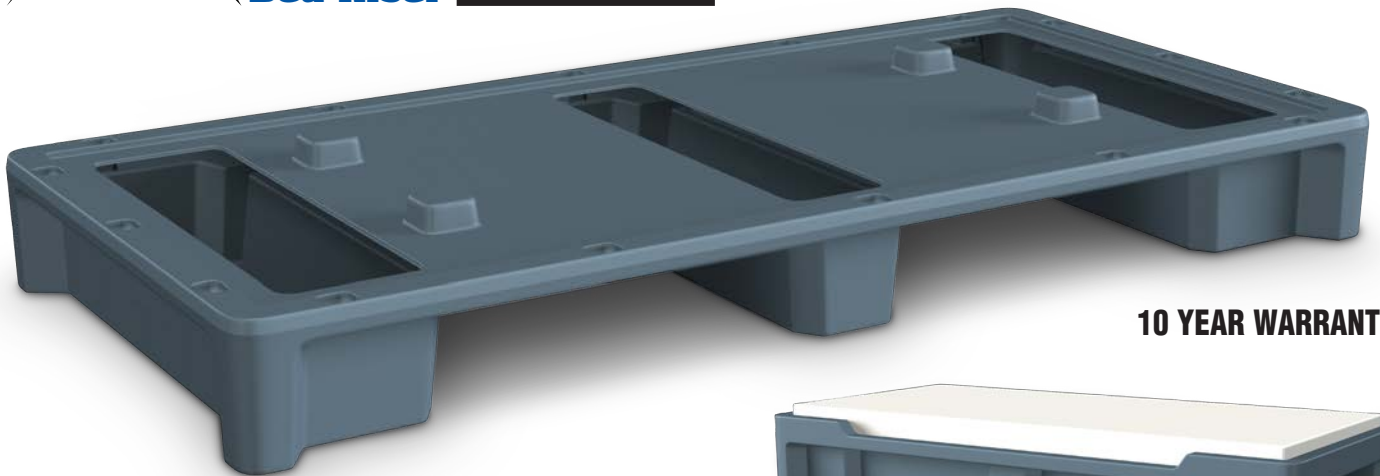


THE ULTIMATE COMBINATION OF FUNCTION AND DESIGN



The Endurance Series Furniture line is ideal for continuous use in extreme environments. The ultimate combination of function and design.

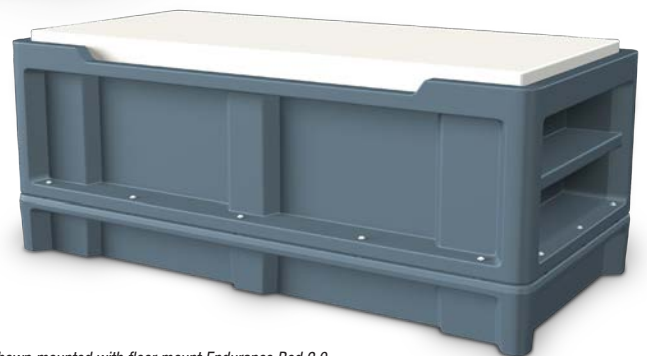


10 YEAR WARRANTY

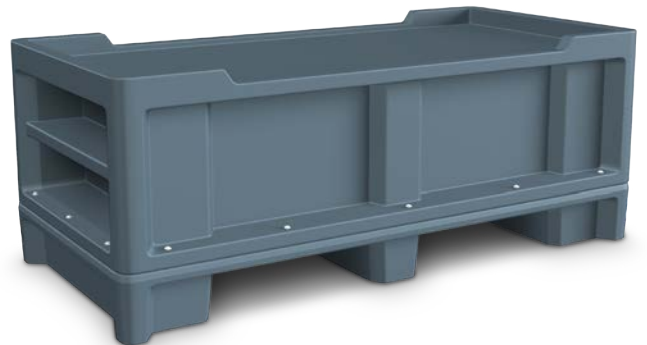
The Endurance Bed Riser is designed to be combined with the Endurance 2.0 Bed for increased bed height for easier patient care, easier patient entry and exit, as well as allowing for mechanical lift device use.

THE ENDURANCE BED RISER FEATURES:

- Designed for use with Endurance Bed 2.0.
- A 10 Year Warranty.
- Bolts into Endurance Bed 2.0 through existing mounting holes.
- Can be easily filled with sand through ballast door on site to weigh down. Secures with tamperproof screws.
- Can be used in free standing or bolt down scenario.
- Durable, one piece, rotationally molded design for increased strength. Constructed of high impact “no break” polyethylene.
- Can be bolted to the floor via concealed pilot holes with hardware of your choice.
- Manufactured to ISO Quality Standards in the USA.
- Stain resistant.
- Easy to clean and maintain.
- Flame Retardant (passes Cal 133).
Test reports available upon request.



Shown mounted with floor mount Endurance Bed 2.0. Mattress sold separately.



Available in



Custom colors available upon request.
Call Cortech for details.

Item #	Color
7606BK	Black FR
7606SB	Slate Blue FR
7606GN	Green FR
7606BN	Brown FR
7606G	Blue Gray FR

All dimensions and weights are nominal. Specifications subject to change without notice. FR = Flame Retardant.

Ideal For Use In: Behavioral/Mental Health Facilities, Hospitals & Correctional Facilities.