

### OVERVIEW

The Endurance Bed Riser is designed to be combined with the Endurance 2.0 Bed for increased bed height for easier patient care, easier patient entry and exit, as well as allowing for mechanical lift device use. **Manufactured to ISO Quality Standards in the USA.**

**Designed for use with the Endurance Bed 2.0.**

### FABRICATION/MATERIAL

Durable, one piece, rotationally molded design for increased strength. Constructed of high impact polyethylene. No steel or wood components. Flame Retardant (as shown passes Cal 133). Test reports available upon request.

**COLOR** Black, Blue Gray, Brown, Green, Slate Blue, custom colors available upon request.

**WEIGHT** 70 lbs.

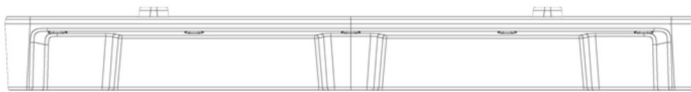
**OPTIONS** Can be easily filled with sand through ballast door on site to weigh down.

**ASSEMBLY** Bolt to the floor via concealed pilot holes with hardware of your choice.

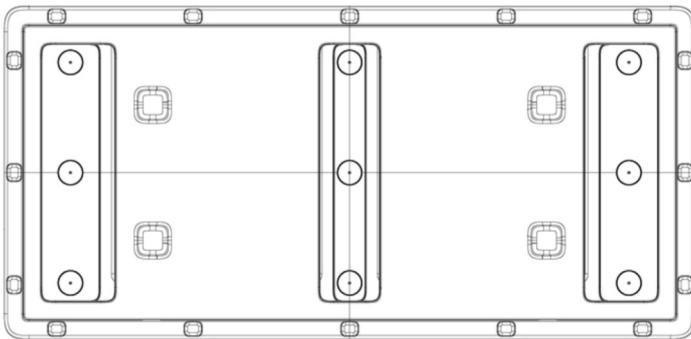
**WARRANTY** 10 Year Warranty.

**MAINTENANCE** Easy to clean and maintain with damp cloth. Resistant to stains.

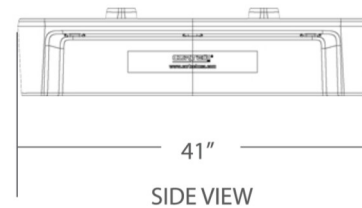
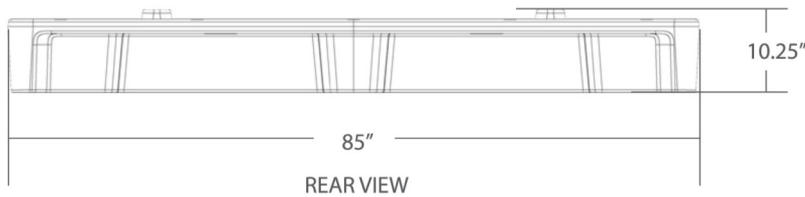
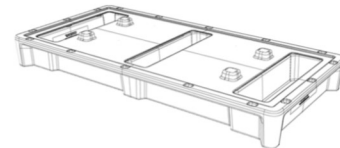
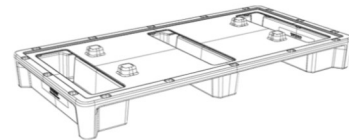
FRONT VIEW



TOP VIEW



Item #	Color
7606BK	Black FR
7606SB	Slate Blue FR
7606GN	Green FR
7606BN	Brown FR
7606G	Blue Gray FR



**ENDURANCE BED RISER BOLT LOCATIONS—FLOOR**

