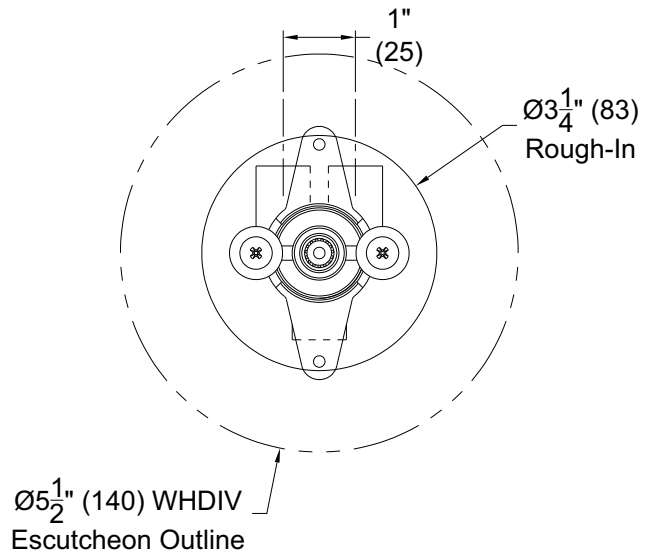
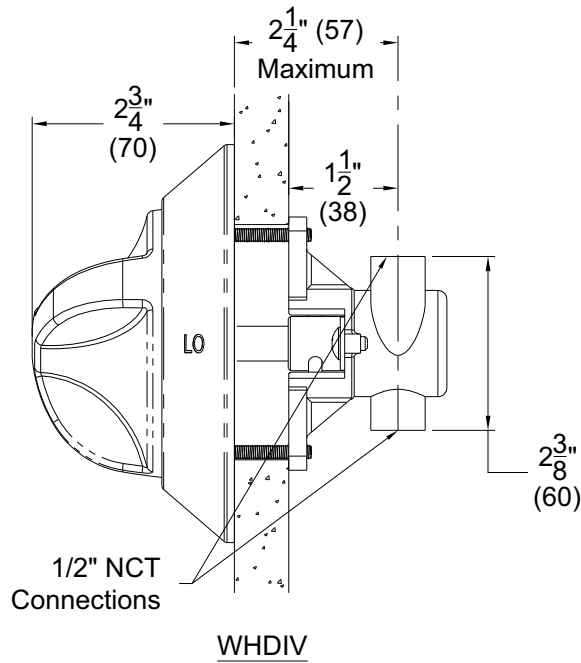




Division of  
 Acorn Engineering Company



A MEMBER OF



WHDIV

- Patented D697,591
- © Acorn Engineering Co.

**FEATURES:**

- Bronze Diverter Valve Body
- Chrome Plated Brass Escutcheon with High Polish Finish
- Tri-Lever Ligature Resistant Handle is all-metal and provides ADA Compliance throughout the full operating range
- 1/2" NCT Inlet Port and Outlet Port Connections

**DIVERTER VALVE**



Member of  
 U.S. Green  
 Building  
 Council



Recyclable  
 Product



Water  
 Conserving  
 Product

Please visit [www.whitehallmfg.com](http://www.whitehallmfg.com)  
 for most current specifications.

⚠ WARNING: Cancer and Reproductive Harm - [www.P65Warnings.ca.gov](http://www.P65Warnings.ca.gov)

Complies  
 with the  
 following  
 standards:

